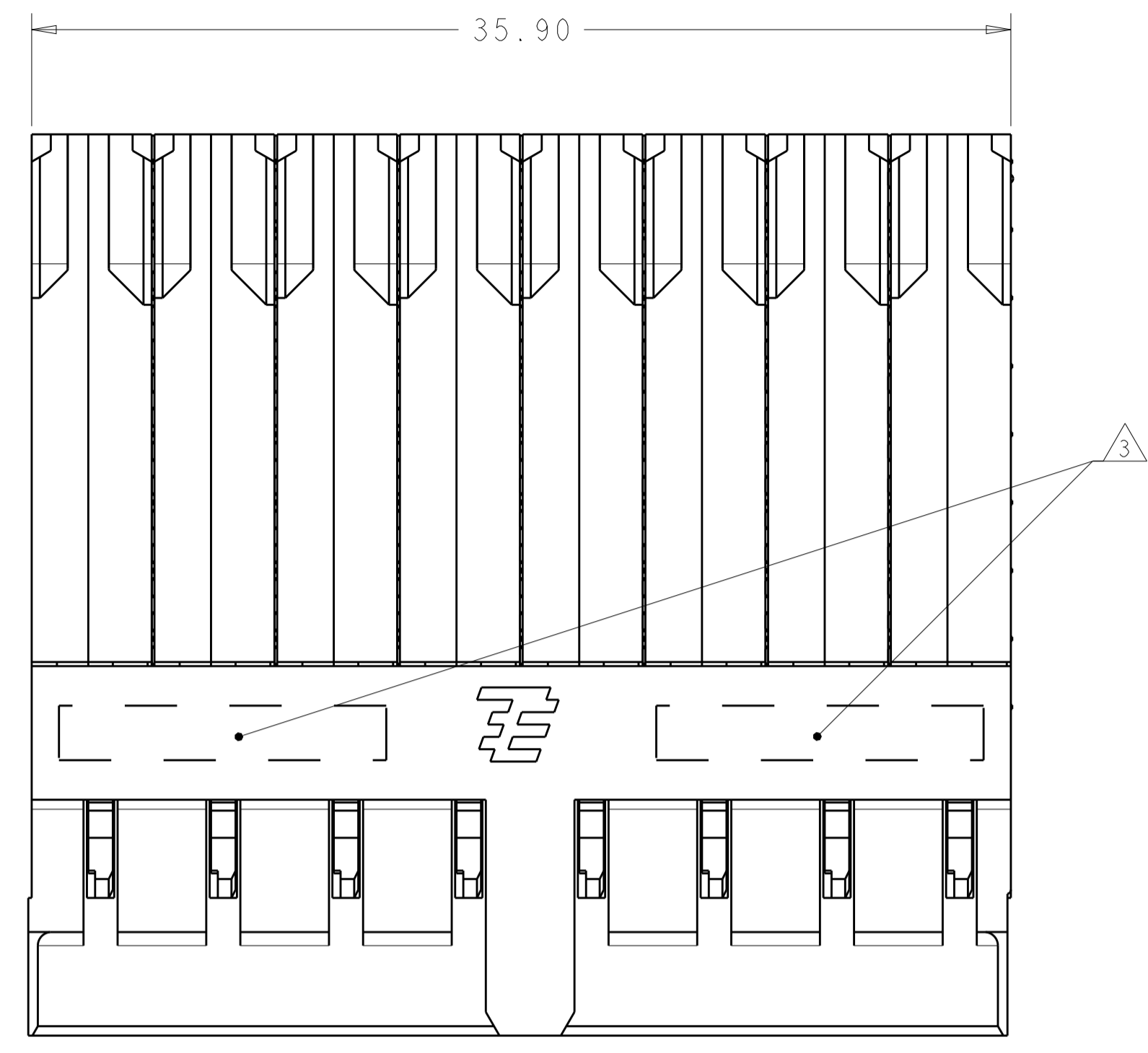
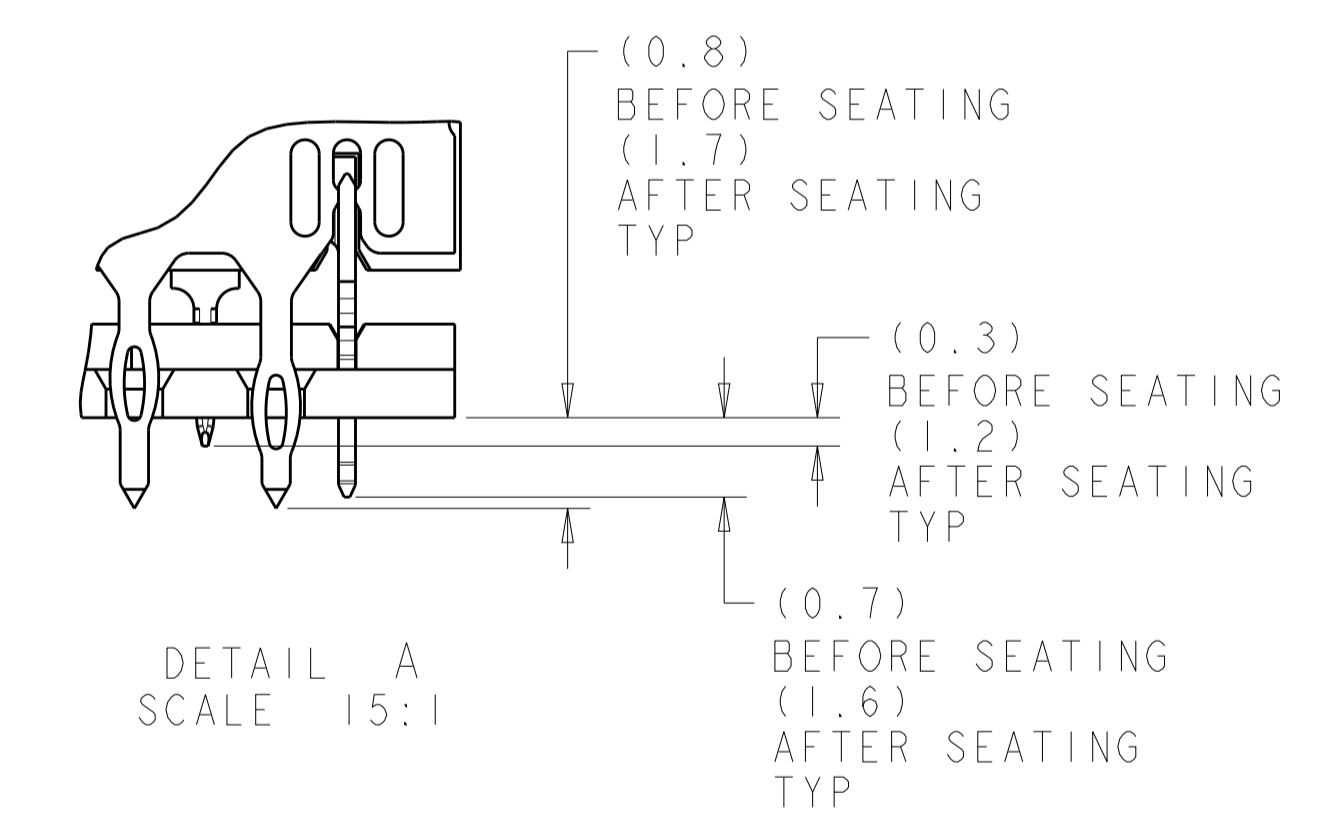
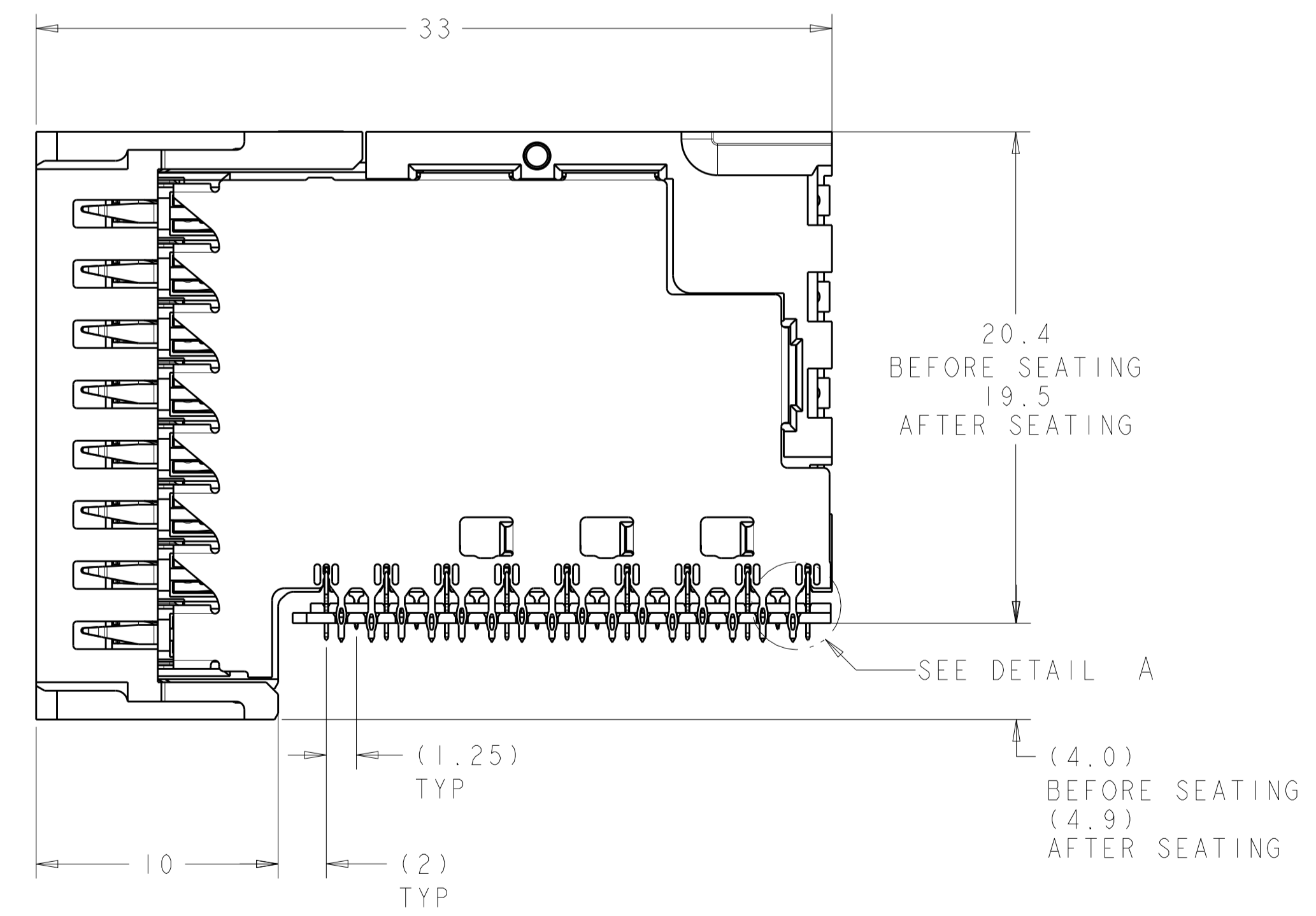
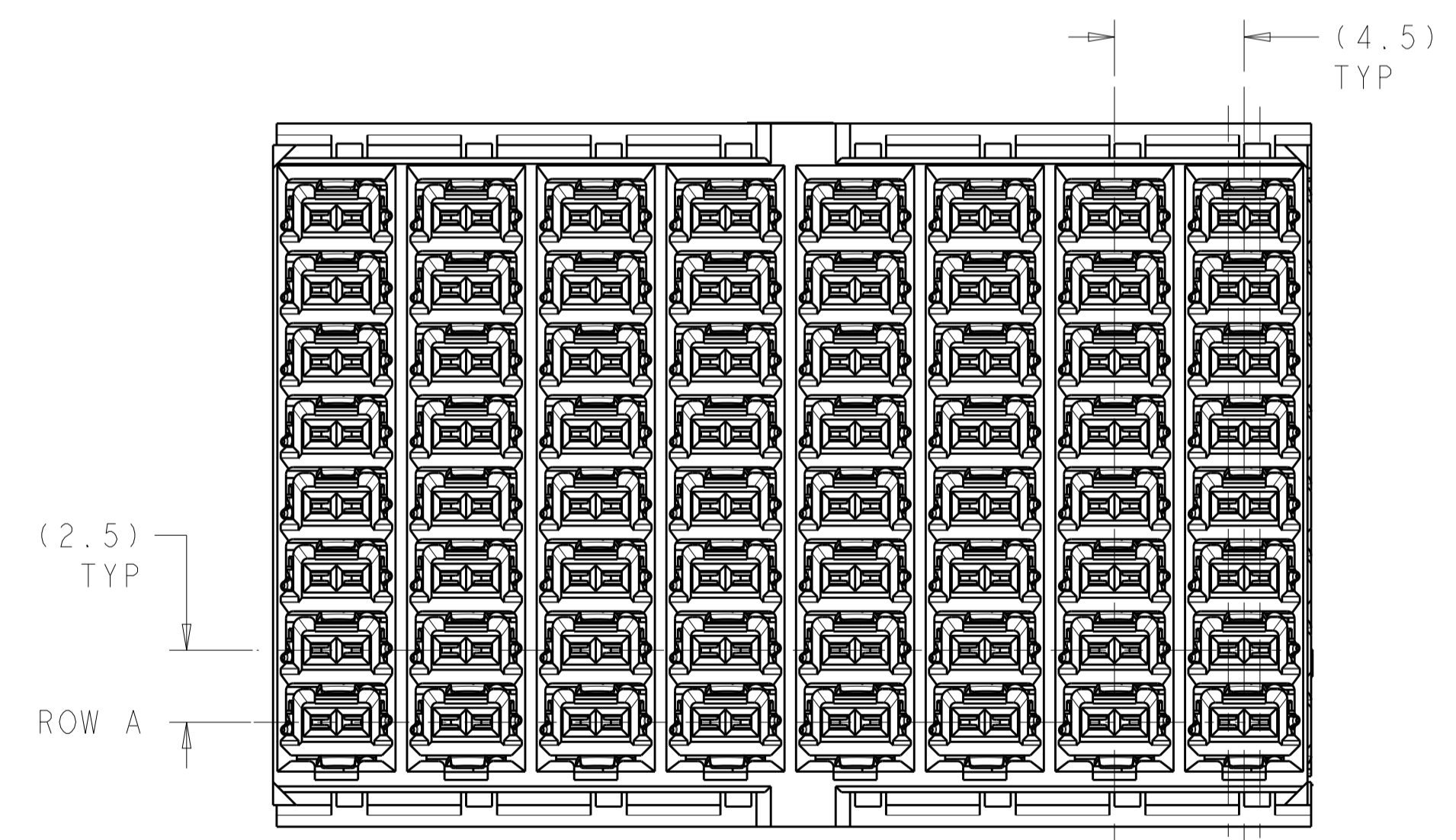


LOC		DIST		REVISIONS			
P	LTN	DESCRIPTION	DATE	DMN	APVD		
1		PRELIMINARY	29NOV2011	KT	NS		
2		REVISED	09NOV2012	REH	NS		
3		REVISED	15FEB2013	MS	MS		



- 1 MATERIAL:
CONTACT AND SHIELD - COPPER ALLOY.
HOUSINGS, AND ORGANIZER - THERMOPLASTIC, UL 94V-0, BLACK.
- 2 CONFORMS TO REQUIREMENTS OF TE PRODUCT SPECIFICATION 108-2413 & 108-32037, BASED ON TELCORDIA GR-1217-CORE FOR SYSTEM QUALITY LEVEL III; APPLICATIONS IN CONTROLLED ENVIRONMENTS (CENTRAL OFFICE).
- 3 CONNECTOR MARKED WITH PART NUMBER, DATE CODE, MANUFACTURING LOCATION IDENTIFICATION CODE, AND 2D BARCODE IN APPROXIMATE AREA SHOWN.
- 4 CONTACT AREA LUBRICATED WITH BELLCORE APPROVED LUBRICANT. TECHNICAL REFERENCE: GR-1217-CORE, ISSUE 2, DECEMBER 2008.
- 5 PLATED THRU HOLE REQUIREMENTS:
FINISHED HOLE = $\varnothing 0.344 \pm 0.039$
DRILLED HOLE = $\varnothing 0.420 \pm 0.013$
COPPER THICKNESS = 0.038 ± 0.013
IMMERSION TIN IF APPLICABLE = 0.00051 ± 0.00013
- 6 PLATED THRU HOLE REQUIREMENTS:
FINISHED HOLE = $\varnothing 0.244 \pm 0.039$
DRILLED HOLE = $\varnothing 0.320 \pm 0.013$
COPPER THICKNESS = 0.038 ± 0.013
IMMERSION TIN IF APPLICABLE = 0.00051 ± 0.00013
- 7 PTH DIMENSIONS APPLY TO 1.00mm DEPTH FROM MOUNT SIDE OF PCB.
- 8 HOLE POSITION TOLERANCE APPLIES WITHIN PATTERN FOR CONNECTOR PATTERN TO CONNECTOR PATTERN, A 0.12 \varnothing POSITION TOLERANCE APPLIES.



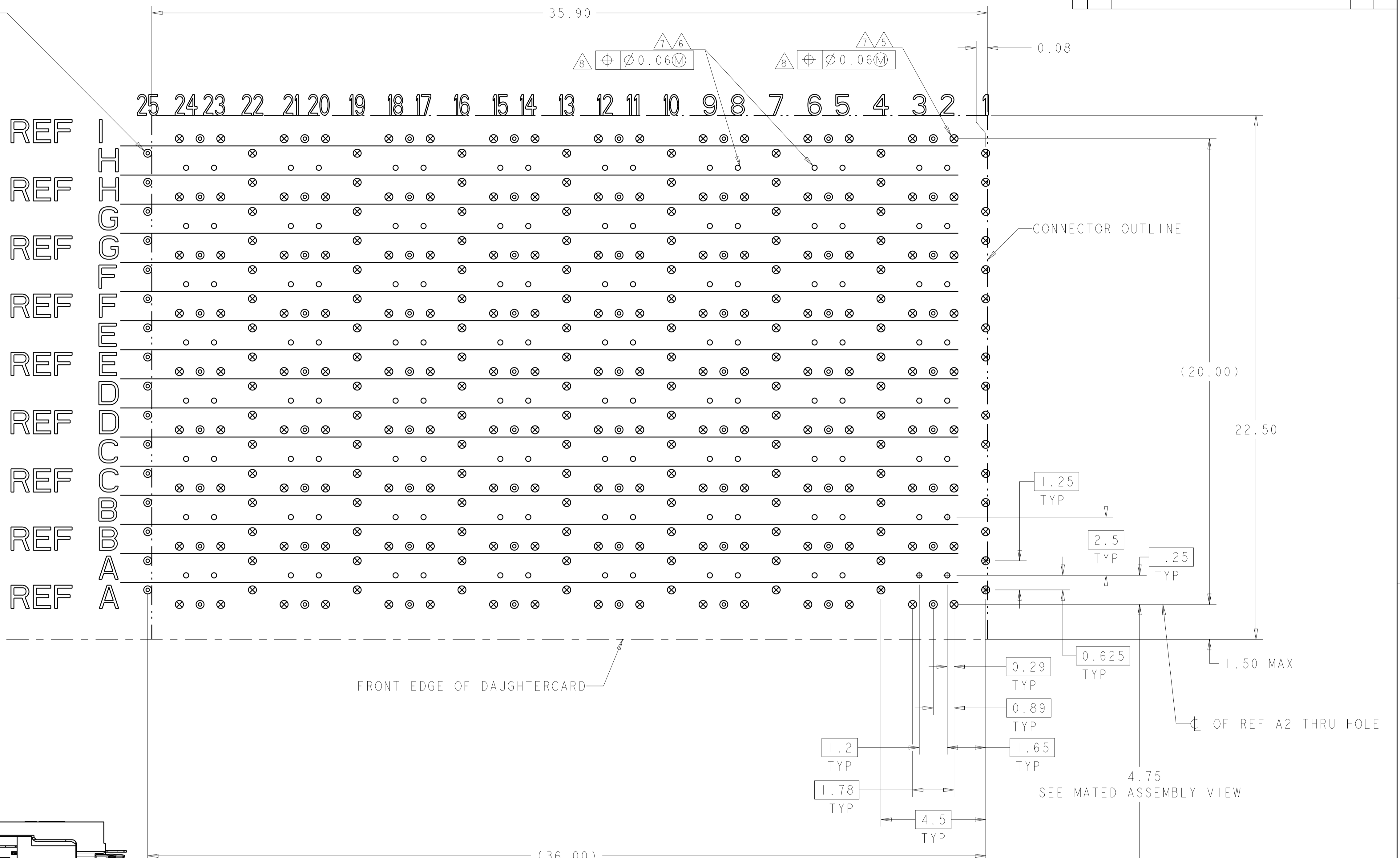
TIN	2198264-2
TIN-LEAD	2198264-1
PRESS FIT TAIL PLATING	PART NO

THIS DRAWING IS A CONTROLLED DOCUMENT.

DIMENSIONS:	TOLERANCES UNLESS OTHERWISE SPECIFIED:	DMN: K. THOMPSON 29NOV2011	CHK: N. SWANGER 29NOV2011	APVD: N. SWANGER 29NOV2011	NAME: N. SWANGER 29NOV2011
mm	0 PLC ± 0.2 1 PLC ± 0.2 2 PLC ± 0.08 3 PLC ± 0.13 4 PLC \pm ANGLES \pm	PRODUCT SPEC: Δ	APPLICATION SPEC:	SIZE: 114-13301	WEIGHT: -
MATERIAL:	FINISH: SEE TABLE	PRELIMINARY RECEPTACLE ASSEMBLY 8 PAIR 8 COLUMN, RIGHT ANGLE, 4.5mm PITCH, STRADA WHISPER 360			
CUSTOMER DRAWING		SCALE: 5:1	SHEET: 1	OF: 2	REV: 3

LOC	DIST	REV	DATE	BY	APPV
GP	00				

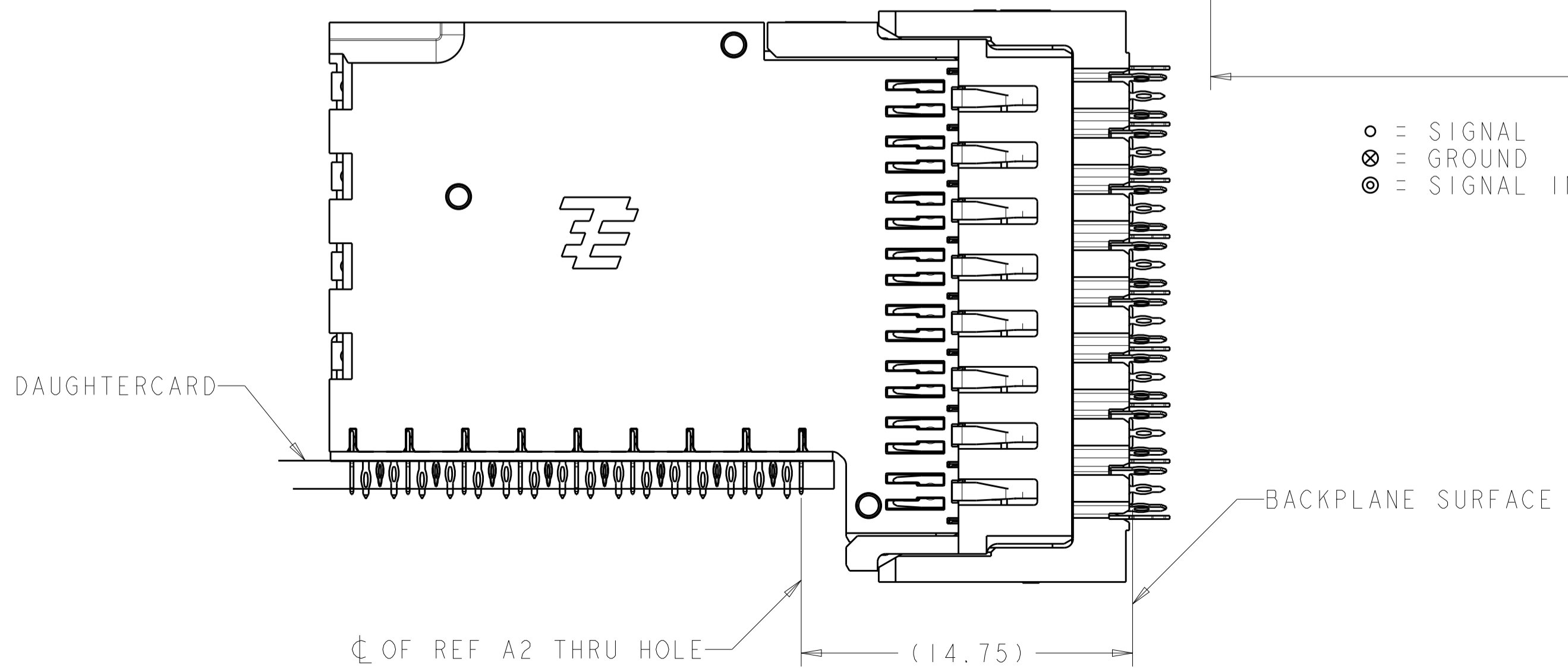
FOOTPRINT SHOWN IS FOR SINGLE MODULE APPLICATION. WHEN CONNECTORS ARE STACKED SIDE BY SIDE, THESE SI VIAS ARE USED AS GROUNDS BY THE NEXT CONNECTOR



- = SIGNAL
- ⊗ = GROUND
- ⊙ = SIGNAL INTEGRITY VIA TO GROUND

PCB LAYOUT COMPONENT SIDE SHOWN SCALE 10:1

BACKPLANE MATE SURFACE



MATED ASSEMBLY VIEW SCALE 5:1

THIS DRAWING IS A CONTROLLED DOCUMENT.		OWN R. THOMPSON 29NOV2011	TE Connectivity
DIMENSIONS: mm		CHK N. SWANGER 29NOV2011	
TOLERANCES UNLESS OTHERWISE SPECIFIED:		APVD N. SWANGER 29NOV2011	NAME RECEPTACLE ASSEMBLY, 8 PAIR 8 COLUMN, RIGHT ANGLE, 4.5mm PITCH, STRADA WHISPER 360
0 PLC ±0.2 1 PLC ±0.2 2 PLC ±0.08 3 PLC ±0.13 4 PLC ± ANGLES ±°		PRODUCT SPEC APPLICATION SPEC SIZE 114-13301 WEIGHT	RESTRICTED TO A100779C=2198264
MATERIAL FINISH SEE TABLE		CUSTOMER DRAWING	SCALE 5:1 SHEET 2 OF 2 REV 3