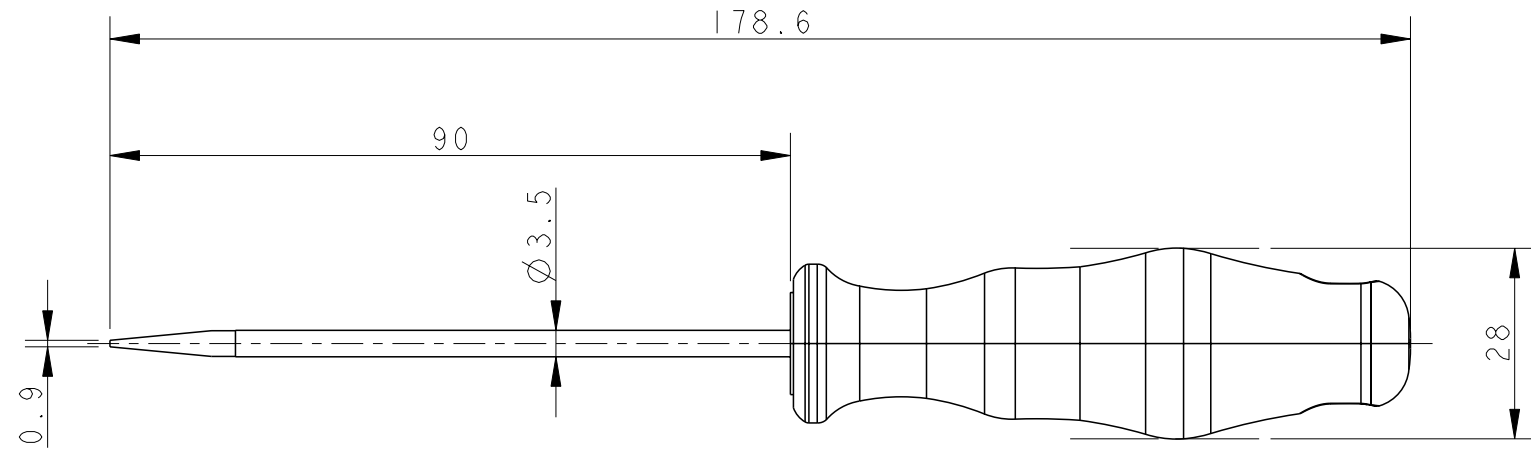


P	LTR	DESCRIPTION	DATE	DWN	APVD
	A	INITIAL RELEASE	20MAR2019	WQR	CW



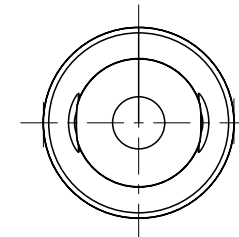
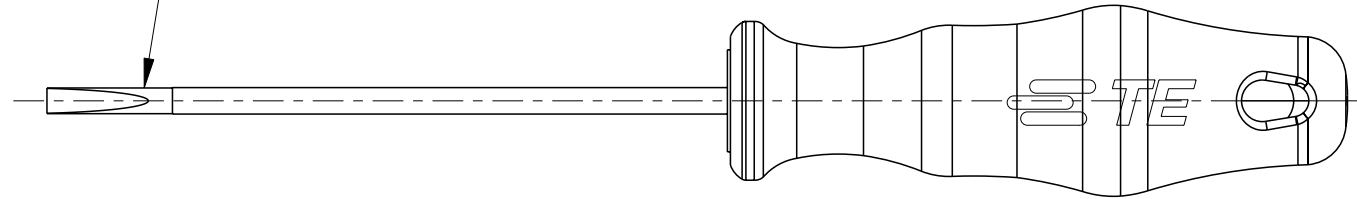
NOTES:

- TECHNICAL CHARACTERISTICS:
HANDLE MATERIAL: RED PVC INSIDE + BLACK RUBBER SURFACE
TIP MATERIAL: STEEL
PRODUCT DESIGNED FOR HA/HE INSERT SERIAL.

注释:

- 技术参数:
手柄材料: 红色PVC(内部)+黑色橡胶(表面)
尖端材料: 钢
产品适用于HA/HE系列芯件

BLACK COATING ON SURFACE
表面发黑处理



T3100000009-000	SCREWD-M3	M3 SCREW DRIVER M3螺丝刀
PART NUMBER 料号	PART DESCRIPTION 描述	

DIMENSIONS: mm		TOLERANCES UNLESS OTHERWISE SPECIFIED:		20MAR2019 WENQING RAO CHK				NAME M3 SCREW DRIVER	
		0 PLC ±-	1 PLC ±-	20MAR2019 GINO YAO APVD					
MATERIAL		2 PLC ±-	3 PLC ±-	20MAR2019 CHRIS WANG APVD		PRODUCT SPEC		SIZE	RESTRICTED TO
-		4 PLC ±-	ANGLES ±-	-		APPLICATION SPEC		A3	-
-		FINISH		-		WEIGHT		CAGE CODE	DRAWING NO
-				-		-		-	©-T3100000009000
				-		CUSTOMER DRAWING		SCALE	SHEET
				-				1:1	1 OF 1
				-					REV A