

4

3

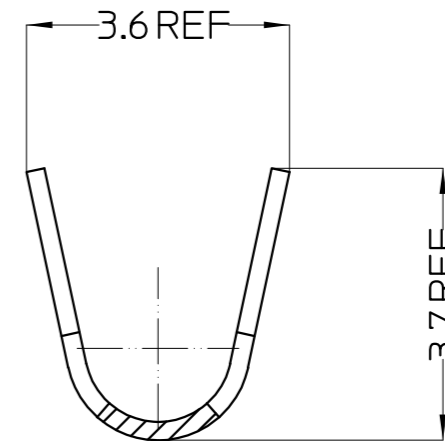
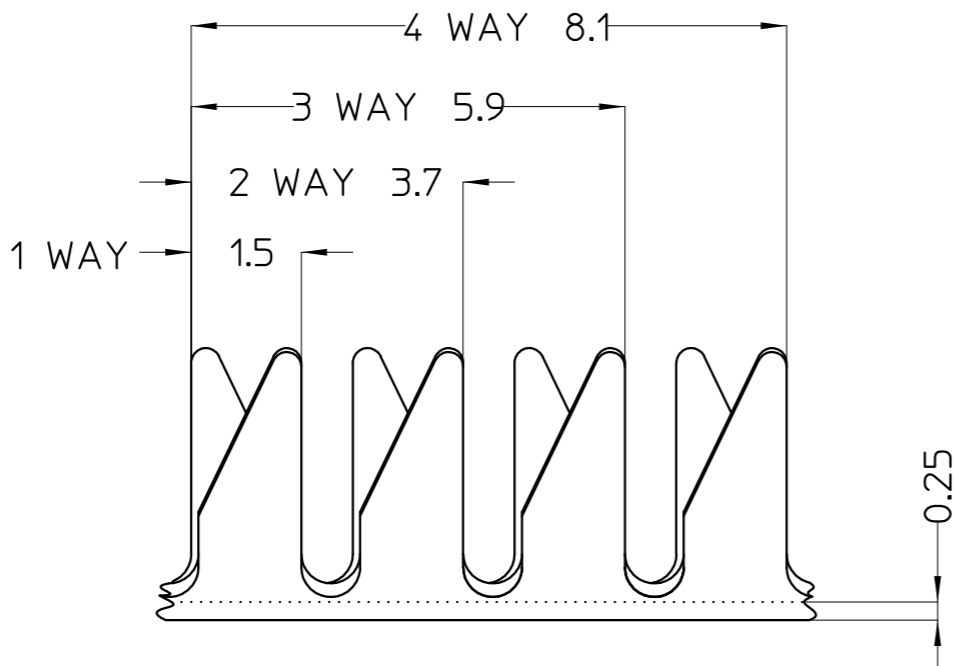
2

1

THIS DRAWING IS UNPUBLISHED. RELEASED FOR PUBLICATION
 © COPYRIGHT - BY TYCO ELECTRONICS CORPORATION. ALL RIGHTS RESERVED.

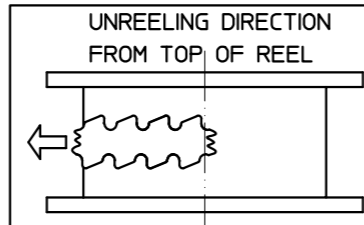
LOC	DIST	REVISIONS					
		P	LTR	DESCRIPTION	DATE	DWN	APVD
U	-	-	-		-	-	-

SUPPLIED IN CONTINUOUS STRIP -
 CUT TO LENGTH AS SHOWN



NOTES:

- 1. WIRE RANGE
 CONDUCTOR: 1.5mm² - 2.5mm²



THIS DRAWING IS A CONTROLLED DOCUMENT.	
ALL DIMENSIONS IN mm:	TOLERANCES UNLESS OTHERWISE SPECIFIED: DIMENSION (mm) TOLERANCE(+/-mm) LESS THAN 10 0.4 OVER 10 TO 30 0.5 OVER 30 TO 80 0.7 OVER 80 TO 250 1.0 ANGLES ±2°
	FINISH NATURAL
MATERIAL REF. BLOCK	

BRASS	TERMINAL, SHOE LACE H29104	1-1627140-0
MATERIAL	DESCRIPTION	PART No.
DWN: W.RIEDE 18MAY05	Tyco Electronics Corporation AUSTRALIA	
CHK: H.THAI 18MAY05	NAME: TERMINAL, SHOE LACE	
APVD: W.RIEDE 18MAY05	SIZE: A3	
PRODUCT SPEC: -	CAGE CODE	DRAWING NO
APPLICATION SPEC: -		©- 1627140
WEIGHT: -		RESTRICTED TO -
CUSTOMER DRAWING		
SCALE 10:1	SHEET 1 OF 1	REV 0

THIS INFORMATION IS CONFIDENTIAL AND PROPRIETARY TO TYCO ELECTRONICS CORPORATION AND ITS WORLDWIDE SUBSIDIARIES AND AFFILIATES. IT MAY NOT BE DISCLOSED TO ANYONE OTHER THAN TYCO ELECTRONICS PERSONNEL WITHOUT WRITTEN PERMISSION FROM TYCO ELECTRONICS CORPORATION, HARRISBURG, PENNSYLVANIA, USA.