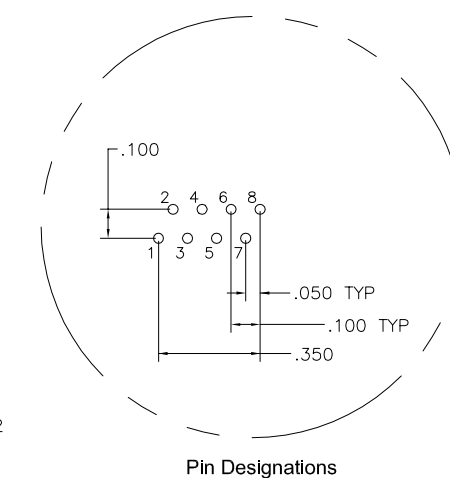
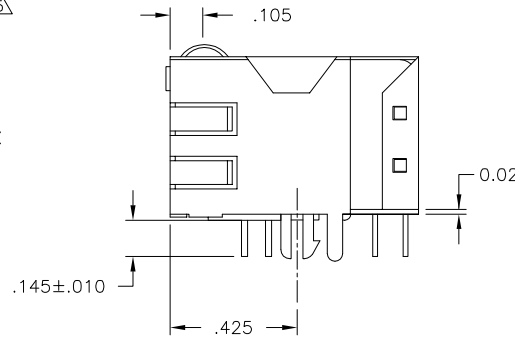
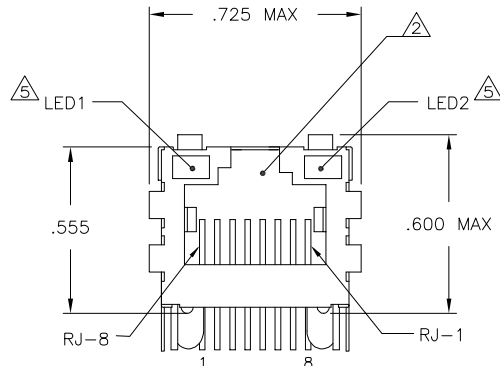
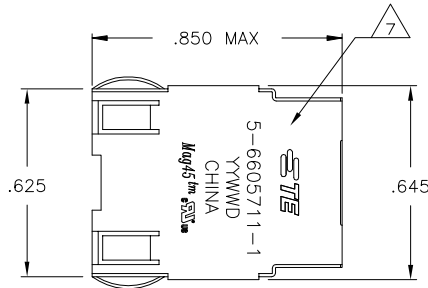


LOC	DATE	REVISIONS	DATE	BY	APP'D
AA	22				
B		REV PER ECO-08-021855	07APR2008	SX	TX
C		ECO-11-015766	30MAY2011	EL	LR

MECHANICAL:



**MATERIALS:**  
 HOUSING - THERMOPLASTIC PET POLYESTER FLAMMABILITY RATING UL 94V-0.  
 SHIELD - .010" THICK, C26800 BRASS PREPLATED WITH 30μINCH MIN SEMI-BRIGHT NICKEL. SOLDER TABS POST DIPPED WITH 100μINCH MIN SAC SOLDER.  
 MOD JACK CONTACTS - 0.0157 X 0.018" PHOSPHOR BRONZE, 50μINCH MIN OVERALL NICKEL UNDERPLATE WITH SELECT 50μINCH MIN HARD GOLD FINISH PLATE.  
 SOLDER TAILS WITH 100μINCH MIN MATTE TIN AND/OR SAC SOLDER DIP.  
 LIGHT EMITTING DIODE(LED) - DIFFUSED EPOXY LENS, .020" X .020" CARBON STEEL WIREFRAME LEADS PRE-PLATED WITH 80μINCH SILVER OVER 40μINCH NICKEL UNDERPLATE OVER 40μINCH COPPER UNDERPLATE. POST-PLATED WITH 100μINCH MIN MATTE TIN AND/OR SAC SOLDER DIP OR PURE TIN SOLDER DIP.

**RJ45 JACK CAVITY CONFORMS TO FCC RULES AND REGULATIONS PART 68, SUB PART F.**

**MAGNETICS**  
 -IMPEDANCE: 100 OHMS  
 -TURNS RATIO (CHIP CABLE): TX = 1:1, RX = 1:1  
 -OPEN CIRCUIT INDUCTANCE (OCL): 350μH MIN @100kHz, 0.1VRMS, 8mADC BIAS FROM -40°C TO +85°C, TX AND RX  
 -PERFORMANCE @ 25°C:  
 INSERTION LOSS (IL): 1.1dB MAX FROM 0.5MHz TO 100MHz  
 RETURN LOSS (RL): 18dB MIN FROM 0.5MHz TO 30MHz  
 18-20LOG(f/30)dB MIN FROM 30.1MHz TO 60MHz  
 12dB MIN FROM 60.1MHz TO 80MHz  
 CROSSTALK ATTENUATION: 35dB MIN FROM 0.5MHz TO 40MHz  
 33-20LOG(f/50)dB MIN FROM 40.1MHz TO 100MHz  
 COMMON MODE REJECTION RATIO (CMRR): 30dB MIN FROM 0.5MHz TO 100MHz  
 -ISOLATION VOLTAGE: 2250VDC (MAX) FOR 60 SECONDS WITH A RISE TIME OF 500V/SEC.

4. OPERATING TEMPERATURE: FROM -40° - +85°C.

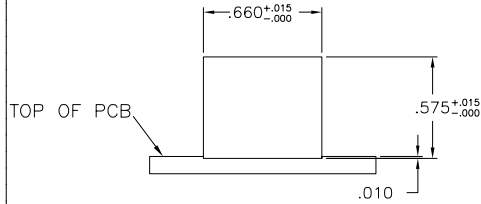
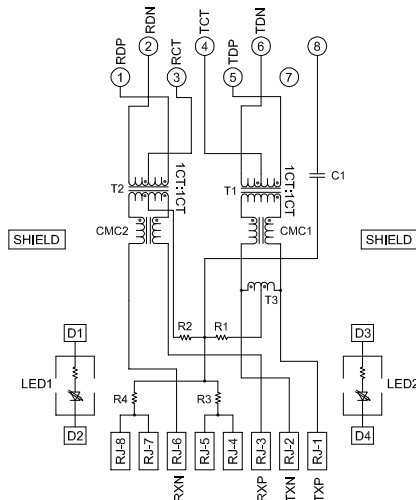
**LED WITH 250 OHM RESISTORS, LED IS DRIVEN WITH 5V VOLTAGE AND THE MAX OPERATING CURRENT IS 20mA.**  
 LED COLOR : DOMINANT WAVELENGTH (λD): GREEN 568 nm TYP. At VF=5V FORWARD CURRENT (IF): GREEN 12 mA TYP. at VF=5V  
 DOMINANT WAVELENGTH (λD): YELLOW 588 nm TYP. At VF=5V FORWARD CURRENT (IF): YELLOW 13 mA TYP. at VF=5V

**INDICATED CONNECTIONS ARE FOR NIC CONFIGURATION. THE MAGNETICS ARE ASYMMETRICAL, AND THEREFORE ARE NOT AUTO-MDI/MDIX CAPABLE.**

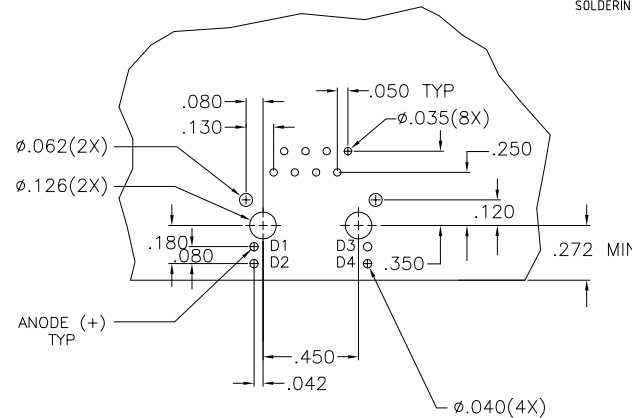
**TYCO ELECTRONICS LOGO, PART NUMBER, DATE CODE, COUNTRY OF ORIGIN AND AGENCY APPROVAL MARKING IN APPROXIMATE LOCATION SHOWN.**

**THESE PARTS ARE RECOMMENDED FOR WAVE SOLDERING PROCESS, PREHEAT TEMPERATURE IS 120°C TO 160°C, 120 SECONDS TO 180 SECONDS, PEAK WAVE SOLDERING TEMPERATURE IS 260 °C MAX, 10 SECONDS MAX.**

714ET SERIES MAGNETIC SCHEMATIC



Suggested Panel Cutout



Suggested PCB Layout (Component Side)

YES	GREEN	YELLOW	5-6605711-1
NO	GREEN	YELLOW	6605711-1

2kV DECOUPLING CAPACITOR	LED1	LED2	PART NUMBER
--------------------------	------	------	-------------

THIS DRAWING IS A CONTROLLED DOCUMENT.		SHEET 1 OF 1	
DRAWING NO. 108-2100		REV. C	
DATE 07/2008		BY SX	
DRAWN BY SX		CHECKED BY LR	
APPROVED BY LR		DATE 07/2008	
MATERIAL		SCALE	
FINISH		SHEET 1 OF 1	
CUSTOMER DRAWING		REV. C	

C1=1000pF. 2kV DECOUPLING CAPACITOR  
 R1-R4 = 75 OHMS, 1/16 W RESISTORS