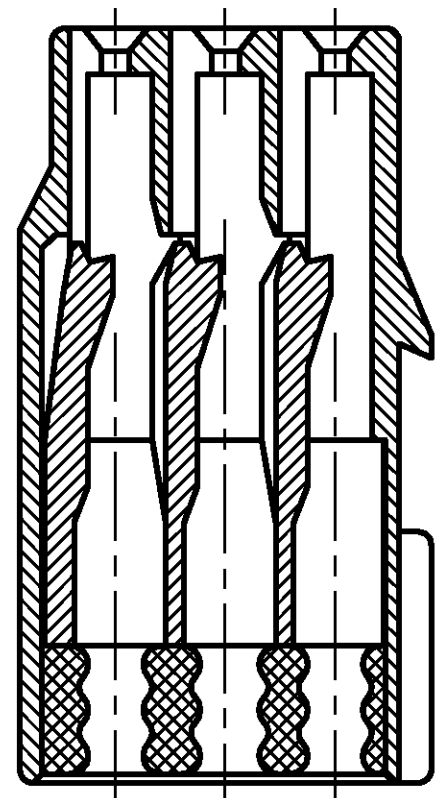
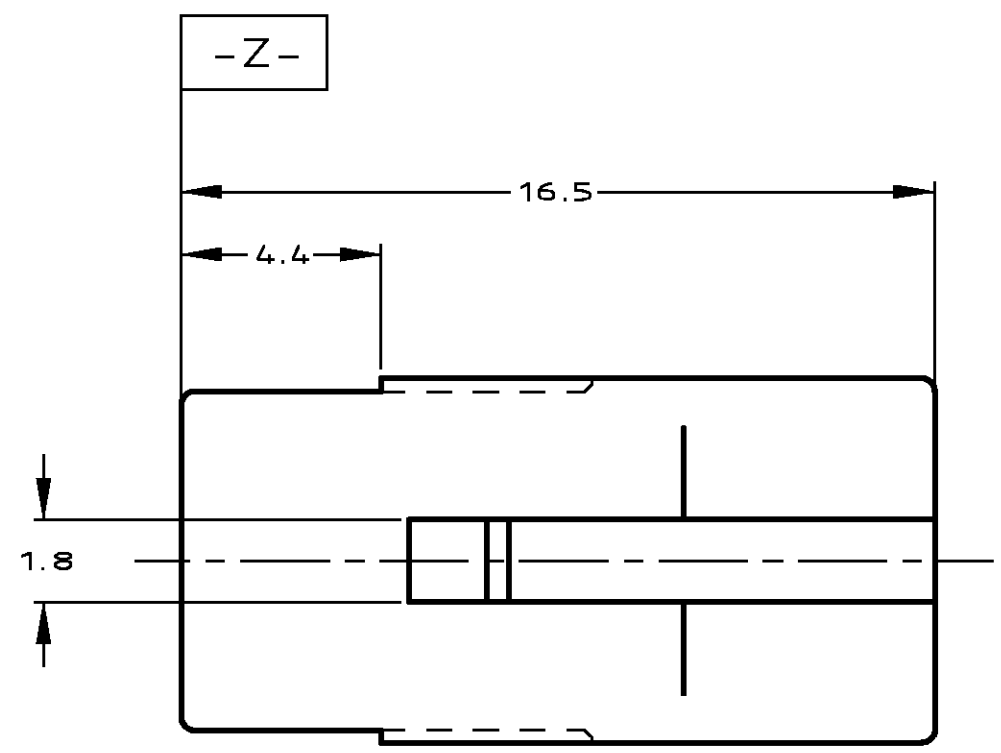
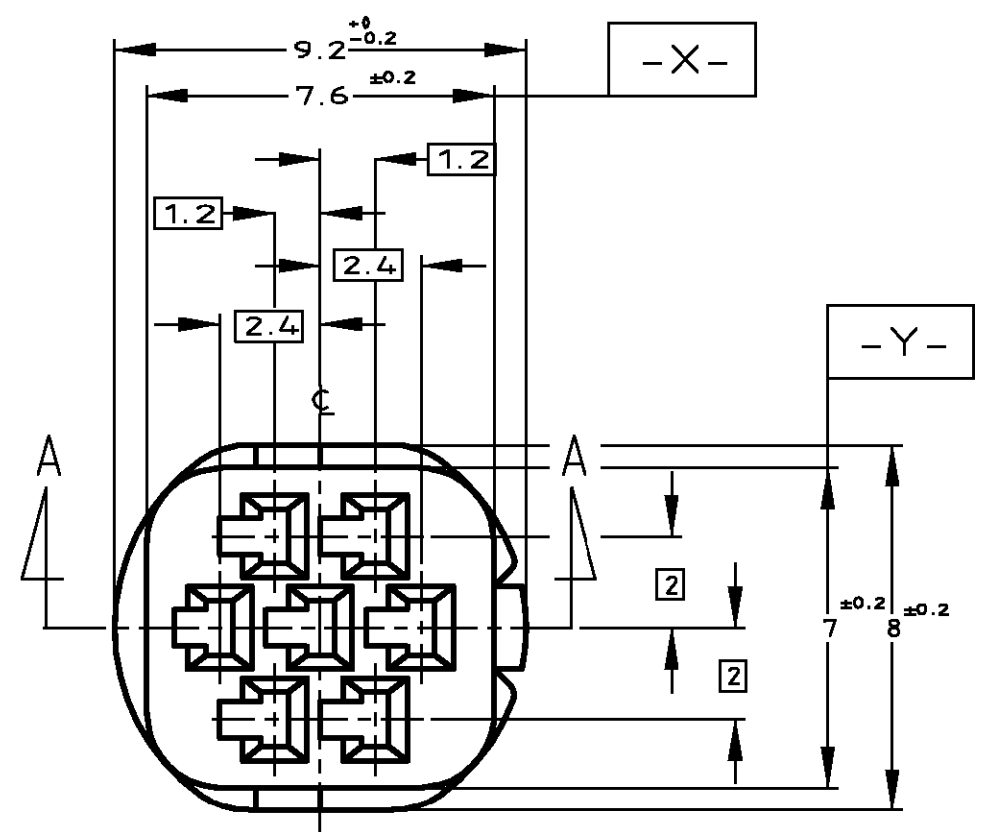


THIS DRAWING IS UNPUBLISHED. RELEASED FOR PUBLICATION  
 © COPYRIGHT BY TYCO ELECTRONICS CORPORATION. ALL RIGHTS RESERVED.

LOC	DIST	REVISIONS					
J	-	P	LTR	DESCRIPTION	DATE	DWN	APVD
		1		PROPOSED FJ00-1591-02	02AUG02	AY	HY



SECT. A-A

1. 嵌合相手ハウジング型番 ; 917319
2. 内装するリセコンタクト型番 ; 917308
3. 適用製品規格番号 ; 108-5426
4. 取扱説明書 ; 412-5653-1

1. THE MATING PLUG HSG P/N 917319
2. APPLIED CONTACT P/N 917308
3. APPLICABLE PRODUCT SPEC No.108-5426
4. INSTRUCTION SHEET:412-5653

PRELIMINARY NOT FOR PRODUCTION	YELLOW	917318-8
	GRAY	917318-7
	BLACK	917318-6
	NATURAL	917318-5
	COLOR	PART NUMBER

TOLERANCE UNLESS OTHERWISE SPECIFIED: 一般公差

0 < x ≤ 10	: ±0.2
10 < x ≤ 30	: ±0.25
30 < x ≤ 100	: ±0.3
ANGLE ; 角度	: ±0.3°

THIS DRAWING IS A CONTROLLED DOCUMENT.

DIMENSIONS: 単位: 特 MM	TOLERANCES UNLESS OTHERWISE SPECIFIED: 一般公差	DWN A. YAMAGUCHI 31JUL02	Tyco Electronics AMP K.K. Kawasaki, Japan
		CHK T. HAYASHI 02AUG02	
		APVD H. YAMAGAMI 02AUG02	
MATERIAL 材料 PBT G	FINISH 仕上 SEE TABLE	NAME 名義 H. YAMAGAMI	

PRODUCT SPEC 製品規格 SEE TABLE

APPLICATION SPEC 取付適用規格

SIZE A3 CAGE CODE 00779 DRAWING NO. 917318-5 RESTRICTED TO -

CUSTOMER DRAWING SCALE 尺度 5:1 SHEET 1 OF 1 REV 1