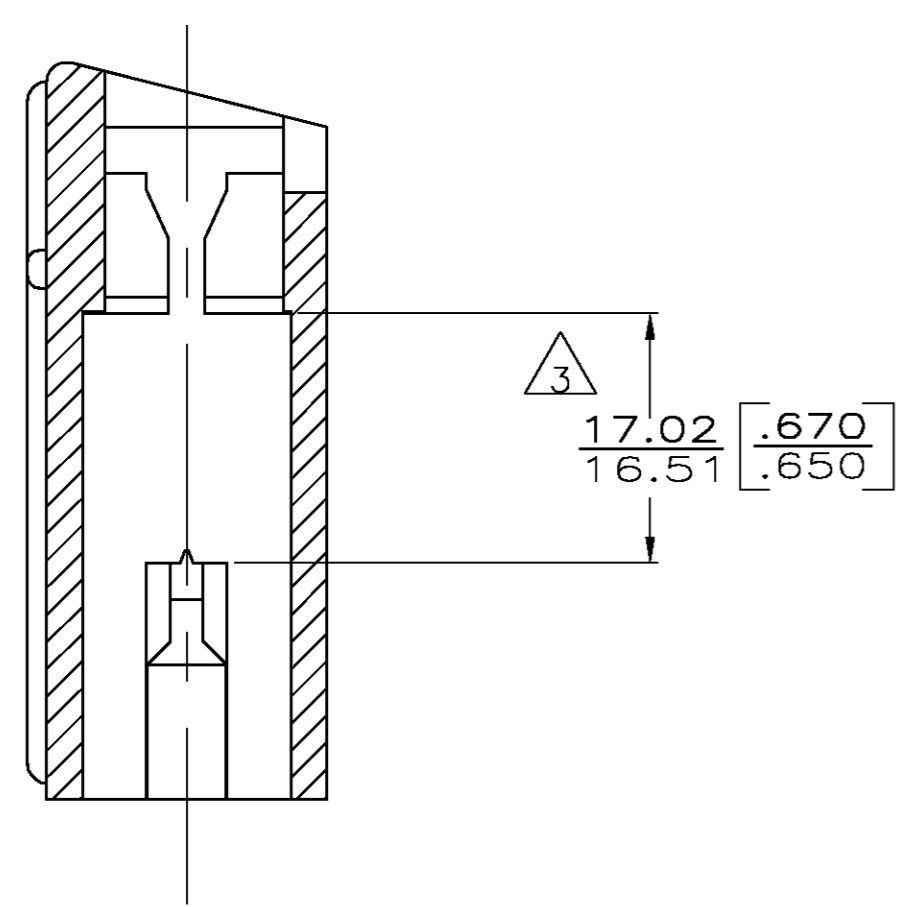
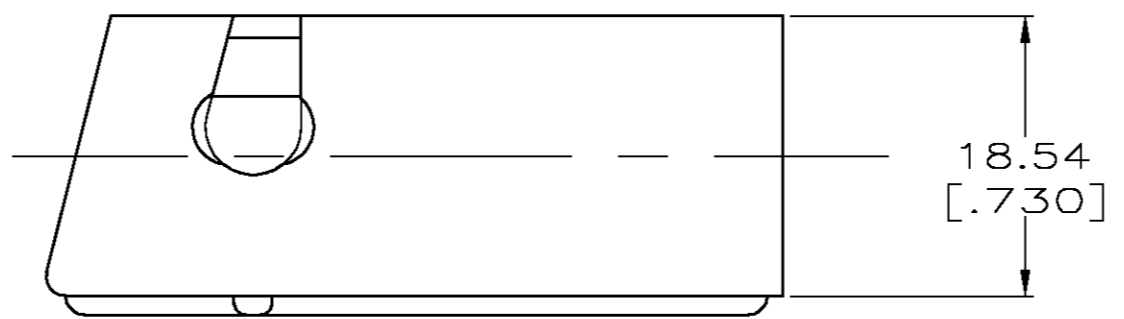
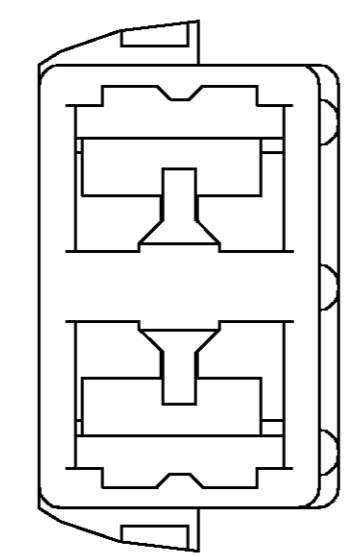
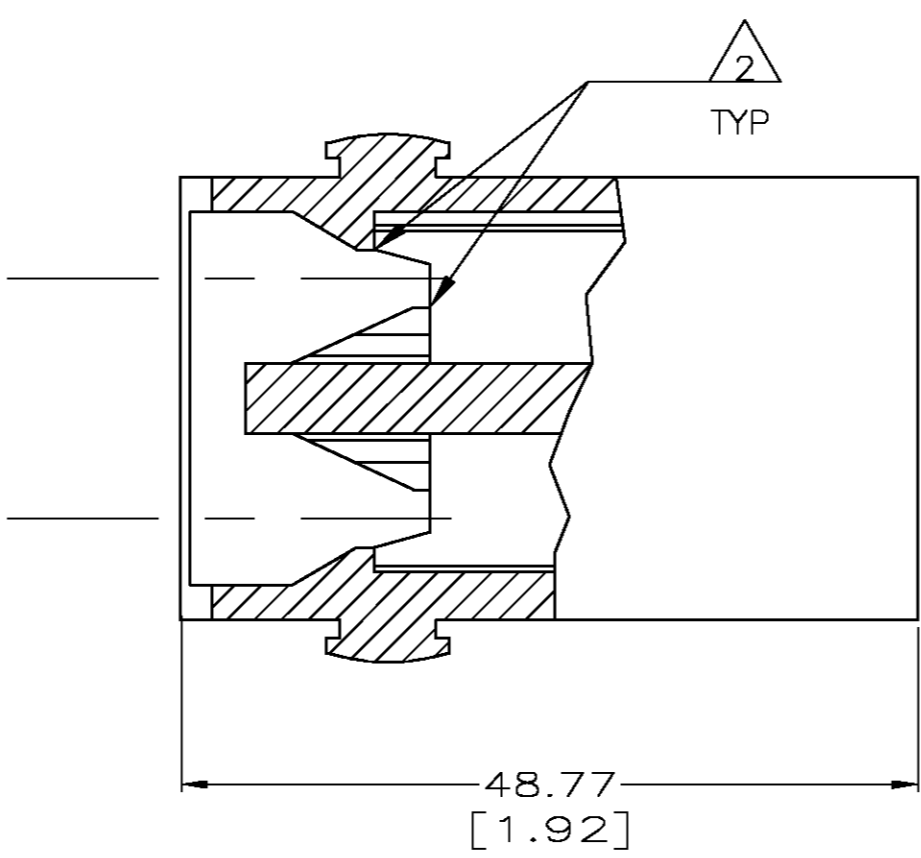
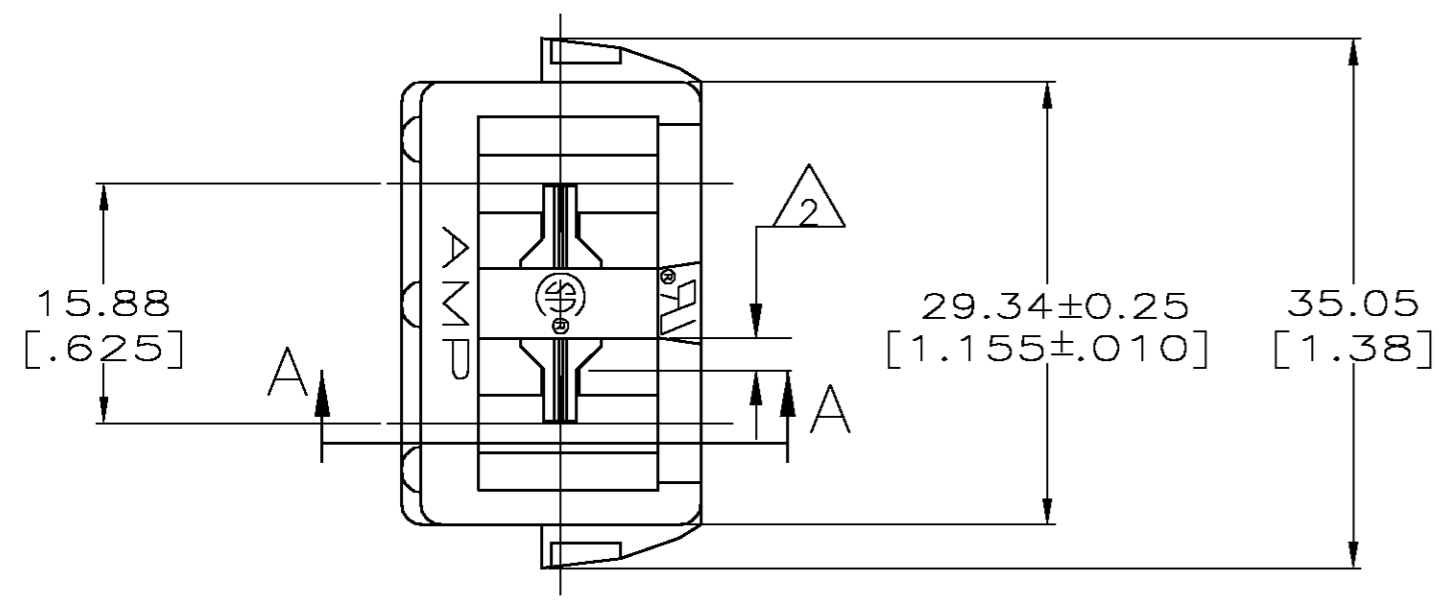
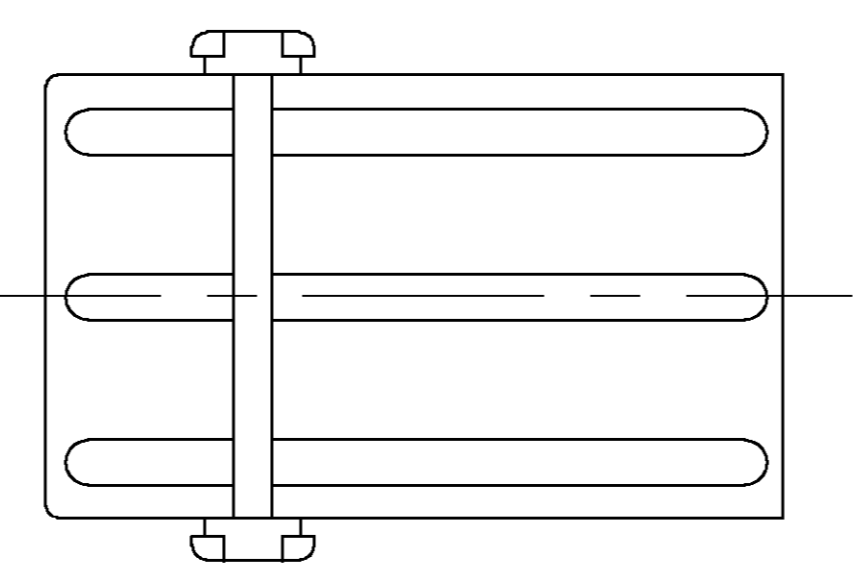


THIS DRAWING IS UNPUBLISHED. RELEASED FOR PUBLICATION
 © COPYRIGHT BY TYCO ELECTRONICS CORPORATION. ALL RIGHTS RESERVED.

LOC	DIST	REVISIONS			
P	LTR	DESCRIPTION	DATE	DWN	APVD
AF	50	E	REV PER 0G3A-0790-04	07OCT04	JR DD



SECTION A-A



- 1 ACCEPTS CONTACT 640748.
- 2 .025 MAX INTERNAL FLASH PERMITTED IN AREA INDICATED.
- 3 .090 MAX FLASH PERMITTED ALONG 45° SHUTOFF SURFACE WITHIN .670/.650 LENGTH.

770524-1
PART NO.

THIS DRAWING IS A CONTROLLED DOCUMENT.		DWN PHILLIP M FORTNEY 07/JUL/95	Tyco Electronics Corporation Harrisburg, Pa 17105-3608	
DIMENSIONS: MM [INCHES]		CHK JEFF R RUTH 07/JUL/95		
TOLERANCES UNLESS OTHERWISE SPECIFIED:		APVD DON DECKER 07/JUL/95	NAME HOUSING, 2 CIRCUIT, HEAVY DUTY BURNER	
0 PLC ± -	1 PLC ± -	PRODUCT SPEC	SIZE A2	CAGE CODE 00779
2 PLC ± 0.25 [.010]	3 PLC ± -	APPLICATION SPEC	DRAWING NO C=770524	RESTRICTED TO
4 PLC ± -	ANGLES ± -	WEIGHT	SCALE 2:1	SHEET 1 OF 1
MATERIAL PHENOLIC	FINISH COLOR-BLACK	CUSTOMER DRAWING	REV E	