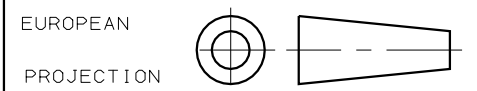


ZEICHNUNG GESCHÜTZT DURCH
 ©COPYRIGHT 1988
 AMP DEUTSCHLAND GMBH
 ALLE RECHTE VORBEHALTEN

REV.	ÄNDERUNG	DATUM	NAME
1	MASS 2.54 ± 0.3 WAR 2.54 , 2.2 WAR 2.5		
2	MASS 3.0 ± 0.2 WAR 3.0 HINZU ALLG. TOLERANZ ± 0.1	02.11.88	AUGUSTINIAK
3	ZEICHNUNG IN EUROPEAN PROJECTION GEÄNDERT	29.11.90	A.HO
	LÖTLÄNGE VON 3.0 IN 3.1 GEÄNDERT	12.03.92	A.HO
C	VERPACKUNGSANGABE HINZU	15.01.96	F.RDT

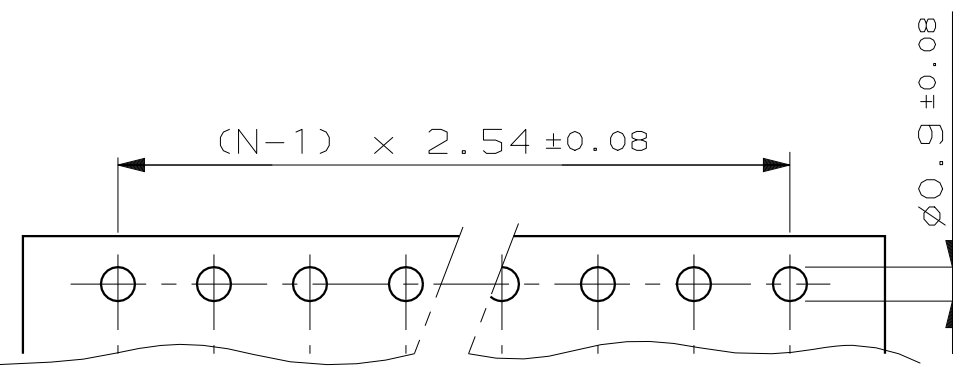
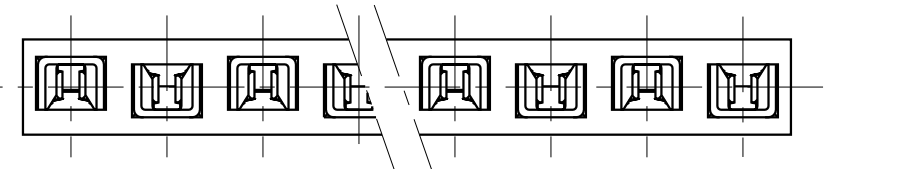
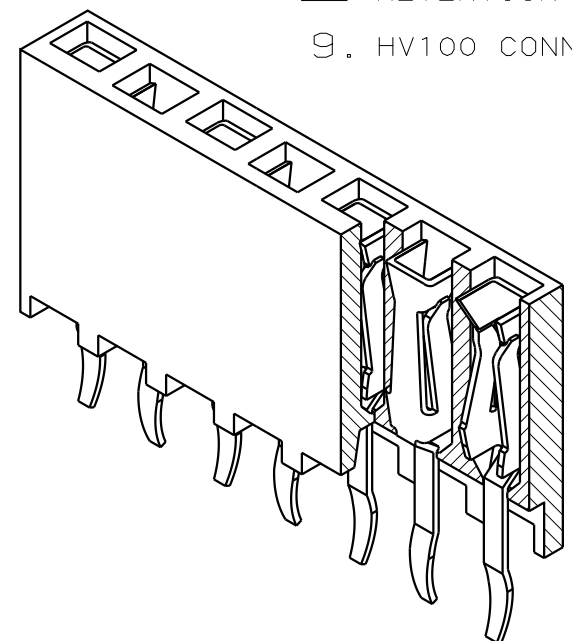
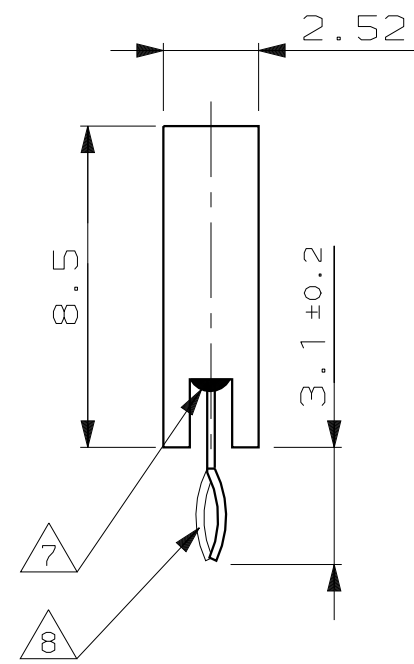
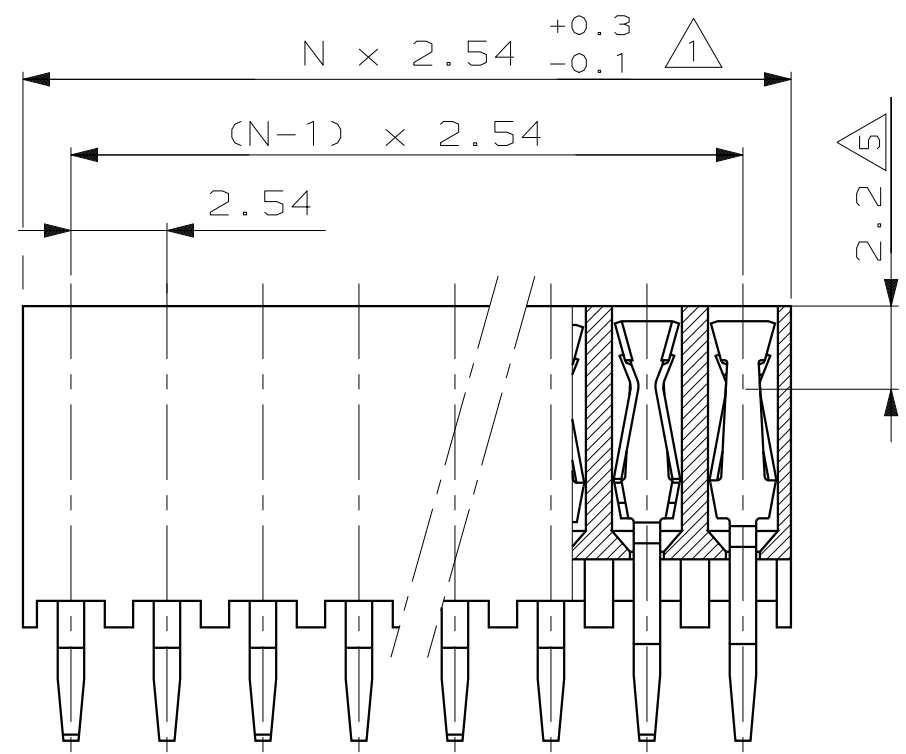
DO NOT SCALE
 DIMENSIONS IN mm

METRIC



NOTES:

- TO DETERMINE DIMENSIONS TAKE N = NR. OF POS.
 FOR EXAMPLE: 10 POS.: $N \times 2,54 = 25,4$ mm.
 FOR ORDERNR. USE BASIC NR. + NR. OF POS.
 FOR EXAMPLE: 2 POS.= 215 303-2 (SHORTEST VERSION)
 36 POS.= 3-215 303-6 (LONGEST VERSION)
- HOUSING MATERIAL: GREEN GLASSFILLED POLYESTER, UL 94V-0
 CONTACT MATERIAL: PHOSPHORBRONZE.
- PLATING: UNDERCOATING: 1,3 μ m Ni.
 AT CONT.PLACE: 0,8 μ m Au.
 AT SOLDER-TYNES: 2,5 μ m Sn.Pb.
- MATES WITH 0,63 SQUARE/ROUND MODU POSTS.
- CONTACT-POINT.
- RECOMMENDED P.C.BOARD-THICKNESS: 1,6.
- HIGH TEMPERATURE SEALANT.
- RETENTION FEATURE.
- HV100 CONNECTOR PACKED IN ANTISTATIC BLISTER



P.C.-BOARD HOLE-PATTERN

NICHT TOLERIERTE MASSE	± 0.1
MASSTAB	5:1

VERWENDET FÜR E 92-9803	SEE NOTES FINISH	SEE NOTES MATERIAL	SEE NOTES PARTNUMBER
CUSTOMER DRAWING	AMP AMP-HOLLAND B.V. 's-Hertogenbosch, The Netherlands.		
FOR REFERENCE ONLY WILL NOT BE UPDATED	THIS DRAWING IS UNPUBLISHED RELEASED FOR PUBLICATION 14.8.1986 © COPYRIGHT 1986 BY AMP-HOLLAND B.V. ALL INTERNATIONAL RIGHTS RESERVED. AMP PRODUCTS MAY BE COVERED BY U.S. AND FOREIGN PATENTS AND/OR PATENTS PENDING.		
DR. L.V.D.HEYDEN	DATE 20.05.86	WIRE RANGE -	NAME HV 100 VERTICAL CONNECTOR
CHK. W.SIMONS	DATE	INSUL.RANGE -	SINGLE ROW, 8,5mm HEIGHT, TOP ENTRY, GOLD, MAX. 36 POSITIONS, SEALED VERSION.
APP. L.V.SOEST	DATE	SIZE A3	SHEET 1 OF 1
		DWG. No.	215303
		REV.DATE D M Y	150196
		REV.LTR.	C