

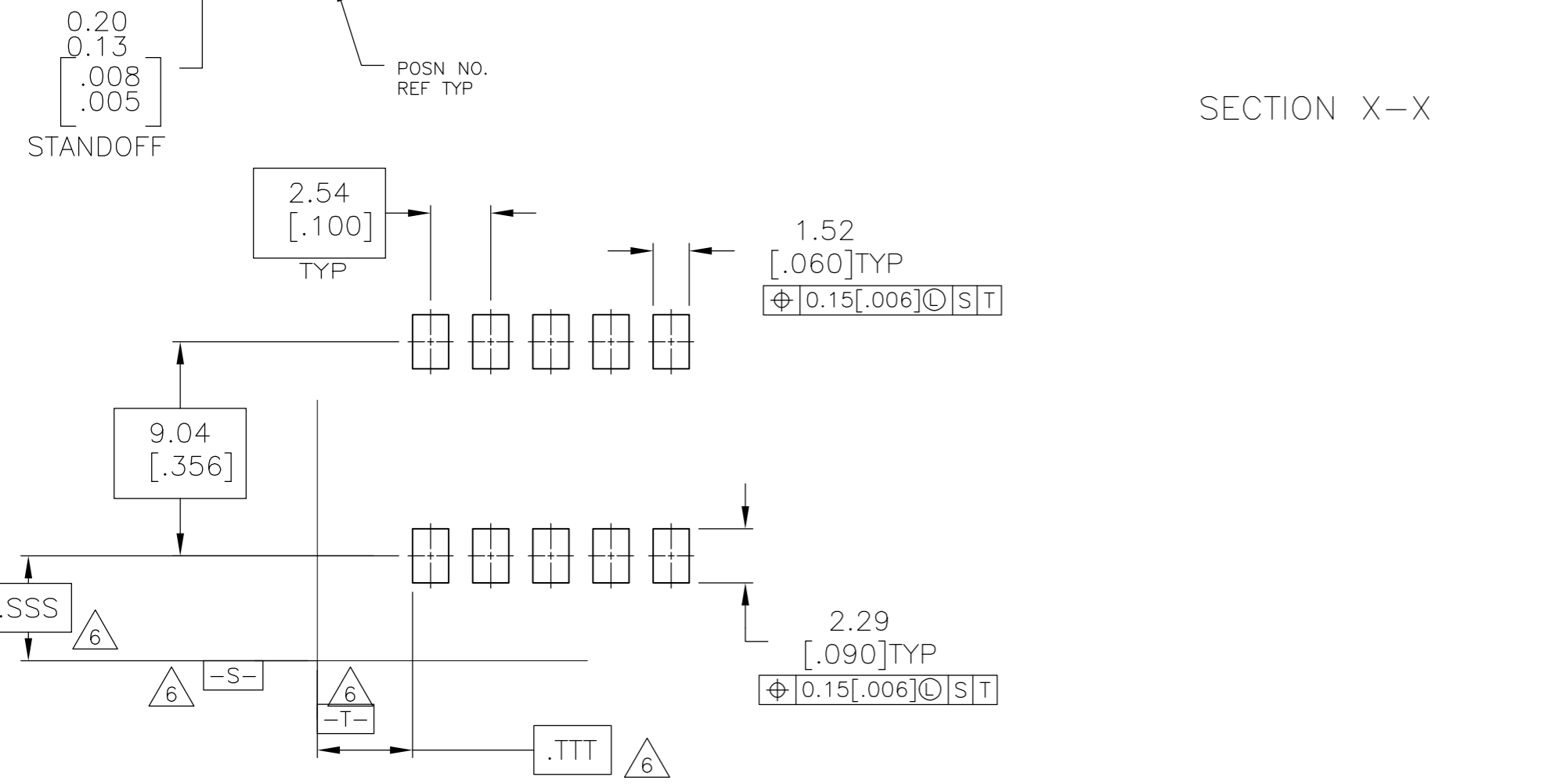
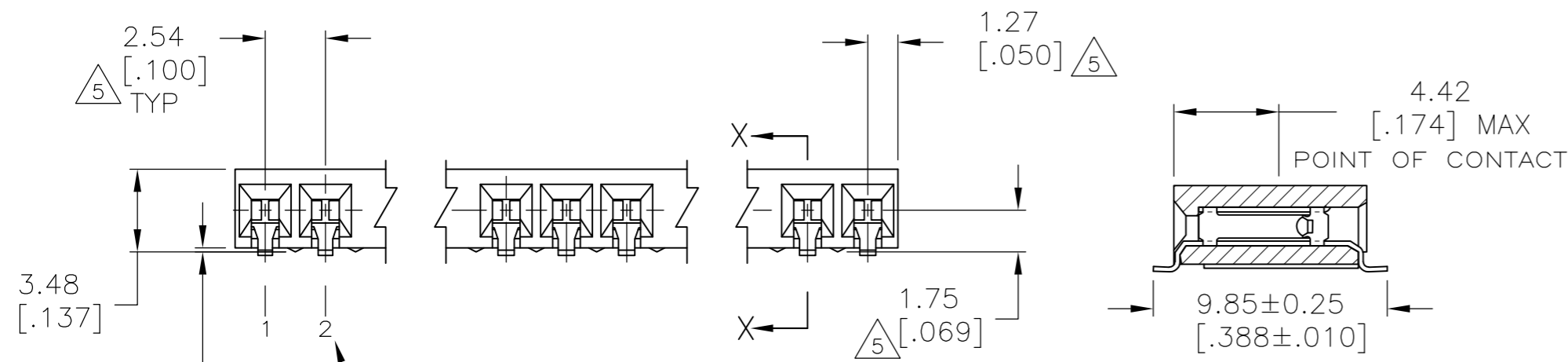
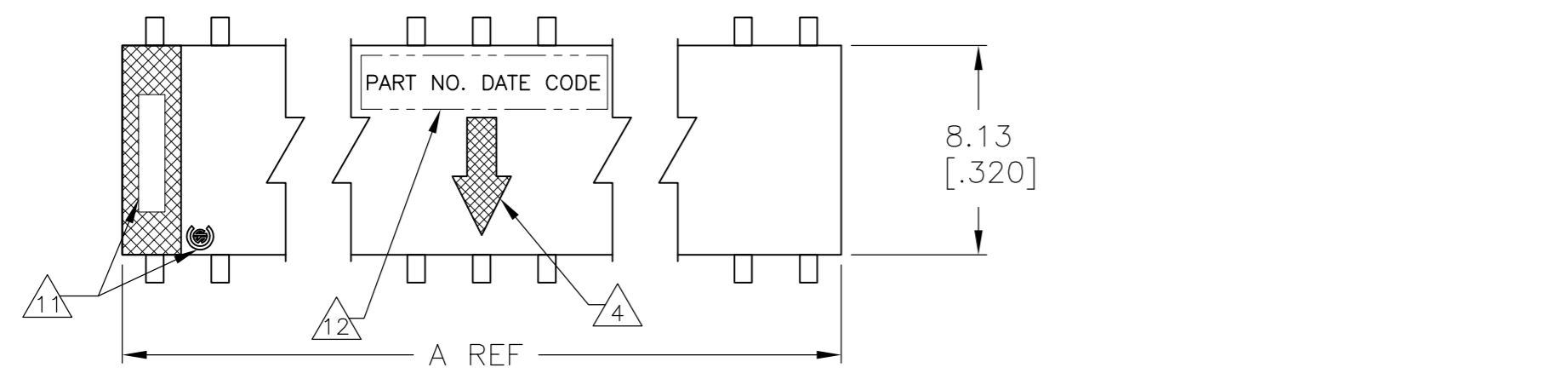
THIS DRAWING IS UNPUBLISHED. RELEASED FOR PUBLICATION
 © COPYRIGHT - By - ALL RIGHTS RESERVED.

LOC		DIST		REVISIONS			
P	LTR	DESCRIPTION		DATE	DWN	APVD	
AD	00	A5	REVISED PER ECO-12-003255	13MAR12	KH	JO	

- 1 HOUSING: GLASS FILLED POLYESTER, PCT, COLOR: BLACK
- 2 CONTACT: PHOSPHOR BRONZE
- 3 CONTACT FINISH: 3.81-7.62 (.000150-.000300) MATTE TIN ALL OVER
0.00127(.000050) MIN NICKEL ENTIRE CONTACT
- 4 MOLDED IN ARROW DESIGNATES MATING FACE OF CONNECTOR
- 5 DIMENSIONS PERTAINS TO CAVITY CENTERLINES
- 6 DATUMS AND BASIC DIMENSIONS ARE ESTABLISHED BY THE CUSTOMER
- 7 PRE-PRODUCTION-PRELIMINARY PARTS
- 8 NO PART NUMBER MARKING REQUIRED FOR THIS PART
- 9 ROHS 2002/95/EC COMPLIANT

- 10 OBSOLETE PARTS: OBSOLETE CIS STREAMLINING PER D.RENAUD/D.SINISI
- 11 TE LOGO AND CSA LOGO ARE MOLDED INTO HOUSING, THIS LOCATION.
- 12 MARK PART NUMBER AND DATE CODE IN APPROXIMATE LOCATION SHOWN, EITHER END

A	NO OF POSN	PART NUMBER	A	NO OF POSN	PART NUMBER
101.60	[4.000]	40	3-5147733-9		
99.06	[3.900]	39	3-5147733-8		
96.52	[3.800]	38	3-5147733-7		
93.98	[3.700]	37	3-5147733-6		
91.44	[3.600]	36	3-5147733-5		
88.90	[3.500]	35	3-5147733-4		
86.36	[3.400]	34	3-5147733-3		
83.82	[3.300]	33	3-5147733-2		
81.28	[3.200]	32	3-5147733-1		
78.74	[3.100]	31	3-5147733-0		
76.20	[3.000]	30	2-5147733-9		
73.66	[2.900]	29	2-5147733-8		
71.12	[2.800]	28	2-5147733-7		
68.58	[2.700]	27	2-5147733-6		
66.04	[2.600]	26	2-5147733-5		
63.50	[2.500]	25	2-5147733-4		
60.96	[2.400]	24	2-5147733-3		
58.42	[2.300]	23	2-5147733-2		
55.88	[2.200]	22	2-5147733-1		
53.34	[2.100]	21	2-5147733-0		
50.80	[2.000]	20	1-5147733-9		
48.26	[1.900]	19	1-5147733-8		
45.72	[1.800]	18	1-5147733-7		
43.18	[1.700]	17	1-5147733-6		
40.64	[1.600]	16	1-5147733-5		
38.10	[1.500]	15	1-5147733-4		
35.56	[1.400]	14	1-5147733-3		
33.02	[1.300]	13	1-5147733-2		
30.48	[1.200]	12	1-5147733-1		
27.94	[1.100]	11	1-5147733-0		
25.40	[1.000]	10	5147733-9		
22.86	[.900]	9	5147733-8		
20.32	[.800]	8	5147733-7		
17.78	[.700]	7	5147733-6		
15.24	[.600]	6	5147733-5		
10.16	[.500]	5	5147733-4		
10.16	[.400]	4	5147733-3		
7.62	[.300]	3	5147733-2		
5.08	[.200]	2	5147733-1		



165.10	[6.500]	65	6-5147733-4
162.56	[6.400]	64	6-5147733-3
160.02	[6.300]	63	6-5147733-2
157.48	[6.200]	62	6-5147733-1
152.94	[6.100]	61	6-5147733-0
152.40	[6.000]	60	5-5147733-9
149.86	[5.900]	59	5-5147733-8
147.32	[5.800]	58	5-5147733-7
144.78	[5.700]	57	5-5147733-6
147.32	[5.600]	56	5-5147733-5
139.70	[5.500]	55	5-5147733-4
137.16	[5.400]	54	5-5147733-3
134.62	[5.300]	53	5-5147733-2
132.08	[5.200]	52	5-5147733-1
129.54	[5.100]	51	5-5147733-0
127.00	[5.000]	50	4-5147733-9
124.46	[4.900]	49	4-5147733-8
121.92	[4.800]	48	4-5147733-7
119.38	[4.700]	47	4-5147733-6
116.84	[4.600]	46	4-5147733-5
114.30	[4.500]	45	4-5147733-4
111.76	[4.400]	44	4-5147733-3
109.22	[4.300]	43	4-5147733-2
106.68	[4.200]	42	4-5147733-1
104.14	[4.100]	41	4-5147733-0

THIS DRAWING IS A CONTROLLED DOCUMENT.

DIMENSIONS: mm [INCHES]	TOLERANCES UNLESS OTHERWISE SPECIFIED: 0 PLC ± - 1 PLC ± - 2 PLC ± - 3 PLC ± .005 4 PLC ± - ANGLES ± - FINISH	DWN BSV 10NOV04 CHK - APVD - PRODUCT SPEC - APPLICATION SPEC - WEIGHT -	TE Connectivity AMPMODU MODII RECPT. ASSY., HORZ., SURFACE MOUNT, .100CL, 1 ROW CLOSED ENTRY, END STACK
MATERIAL 1 2	FINISH 3	SCALE 5:1 SHEET 1 OF 1 REV A5	SIZE A2 CAGE CODE 00779 DRAWING NO C=5147733 RESTRICTED TO -

CUSTOMER DRAWING