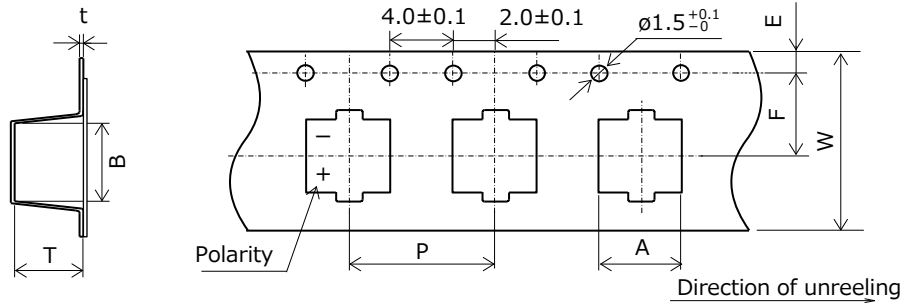


Packing specifications

◇ SMD type

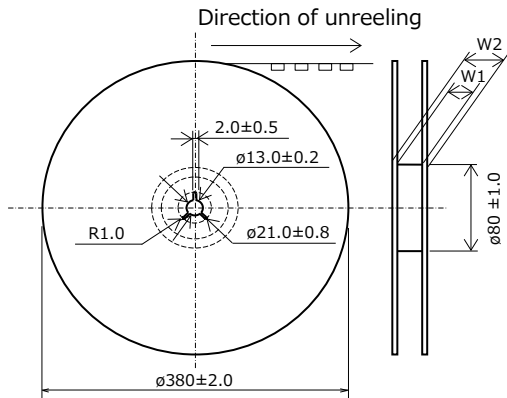
- Taping

1-1. Carrier tape



Size code	A ± 0.2	B ± 0.2	W ± 0.3	F ± 0.1	E ± 0.1	P ± 0.1	t ± 0.1	T ± 0.2
A5	4.7	4.7	12.0	5.5	1.75	8.0	0.4	5.8
B45	5.6	5.6	16.0	7.5	1.75	8.0	0.4	4.8
B6	5.6	5.6	16.0	7.5	1.75	8.0	0.4	6.2
C5	6.9	6.9	16.0	7.5	1.75	12.0	0.4	5.3
C55	6.9	6.9	16.0	7.5	1.75	12.0	0.4	6.2
C6	6.9	6.9	16.0	7.5	1.75	12.0	0.4	6.2
C65	6.9	6.9	16.0	7.5	1.75	12.0	0.4	6.7
C8	7.0	7.0	16.0	7.5	1.75	12.0	0.5	8.2
C10	7.0	7.0	24.0	11.5	1.75	16.0	0.5	10.5
C10L	7.0	7.0	16.0	7.5	1.75	12.0	0.5	11.0
E7	8.6	8.6	24.0	11.5	1.75	12.0	0.4	7.2
E10	8.6	8.6	24.0	11.5	1.75	16.0	0.5	11.0
E12	8.6	8.6	24.0	11.5	1.75	16.0	0.5	12.3
F8	10.7	10.7	24.0	11.5	1.75	16.0	0.4	8.2
F10	10.7	10.7	24.0	11.5	1.75	16.0	0.4	11.0
F12	10.7	10.7	24.0	11.5	1.75	16.0	0.4	13.0

1-2. Reel



Size code	W1 ± 0.5	W2 ± 1.0
A5	13.0	17.5
B45, B6, C5, C55, C6, C65, C8, C10L	17.0	21.5
C10, E7, E10, E12, F8, F10, F12	25.0	29.5

- Minimum packing quantity and weight

Size code	Quantity (pcs./Reel, $\phi 380$)	Typical weight (g)
A5	2000	700
B45	2500	900
B6	1500	800
C5	1300	800
C55	1000	800
C6	1000	800
C65	1000	800
C8	900	800
C10	500	700
C10L	700	900
E7	1000	1100
E10	500	900
E12	400	800
F8	500	1000
F10	500	1000
F12	400	1000

Packing specifications

◇ **Radial lead type**

- Lead terminal process

1-1. Applications

※ The following table is a standard specification. Please contact us separately concerning specifications except for that mentioned below.
 Because of a limit on the length of a model name, the part of process name changes to +S from +TSS, +D from +TS, +3 from +C3,
 Please contact us for details.

Series	Size cde	Bag-packed product (lead terminal cutting)		Taping
		Not processed	Straight cut	
SEP, SEQP, SEPC	B9, C55, C6, C9, C10, E7, E9, E12	○	+C3	+TSS (+S)
SEPF, SXE, SEPG	E13	○	+C3	+TS (+D)
SEF, SEK	F8, F13	○	+C3	+T

1-2. Lead terminal cutting

Lead terminal cutting code	Process names	Size code (øD)	Dimensions																					
+C3 (+3)	Straight cut	B9 (ø5)	<table border="1" style="margin-left: auto; margin-right: auto;"> <thead> <tr> <th colspan="2">Unit : mm</th> </tr> <tr> <th></th> <th>C3</th> </tr> <tr> <td>L</td> <td>3.5</td> </tr> </thead> <tbody> <tr> <th colspan="2">Unit : mm</th> </tr> <tr> <th>Size code</th> <th>B9</th> <th>C55, C6, C9, C10</th> <th>E7, E9, E12, E13</th> <th>F8, F13</th> </tr> <tr> <th>F size</th> <td>2.0</td> <td>2.5</td> <td>3.5</td> <td>5.0</td> </tr> </tbody> </table>				Unit : mm			C3	L	3.5	Unit : mm		Size code	B9	C55, C6, C9, C10	E7, E9, E12, E13	F8, F13	F size	2.0	2.5	3.5	5.0
		Unit : mm																						
	C3																							
L	3.5																							
Unit : mm																								
Size code	B9	C55, C6, C9, C10	E7, E9, E12, E13	F8, F13																				
F size	2.0	2.5	3.5	5.0																				
C55, C6, C9, C10 (ø6.3)	E7, E9, E12, E13 (ø8)	F8, F13 (ø10)																						

1-3. Lead terminal taping

Taping code	F size	Size code (øD)	Taping
+T	F=5.0 mm	F8, F13 (ø10)	
+TS (+D)	F=3.5 mm	E13 (ø8)	
+TSS (+S)	F=2.0 mm F=2.5 mm F=3.5 mm	B9 (ø5) C55, C6, C9, C10 (ø6.3) E7, E9, E12 (ø8)	

Code	F ±0.2	P±1.0	P ₀ ±0.2	P ₁ ±0.5	P ₂ ±1.0	Δh±1.0	W±0.5	W ₀ (min.)	W ₁ ±0.5	
+T ø10	5.0	12.7	12.7	3.85	6.35	0	18.0	9.5	9.0	
+TS(+D) ø8	3.5	12.7	12.7	4.60	6.35	0	18.0	9.5	9.0	
+TSS ø5	2.0	12.7	12.7	5.35	6.35	0	18.0	9.5	9.0	
(+S)	ø6.3	2.5	12.7	12.7	5.10	6.35	0	18.0	9.5	9.0
	ø8	3.5	12.7	12.7	4.60	6.35	0	18.0	9.5	9.0

Code	W ₂ (max.)	H±0.75	øD ₀ ±0.2	t±0.3	ℓ (max.)	L (max.)
+T ø10	2.5	18.5	4.0	0.6	0	11.0
+TS(+D) ø8	2.5	17.5	4.0	0.6	0	11.0
+TSS ø5	2.5	17.5	4.0	0.6	0	11.0
(+S)	ø6.3	2.5	17.5	4.0	0.6	11.0
	ø8	2.5	17.5	4.0	0.6	11.0

Packing specifications

● Minimum packing quantity and weight

Size code	Case size	Processed type discrete lead terminals		Zig-zag pack taping type	
		Quantity (pcs./Bag)	Typical weight (g)	Quantity (pcs./Bag)	Typical weight (g)
B9	ø5	500	180	2000	1000
C55	ø6.3	500	150	1500	650
C6	ø6.3	500	160	1500	700
C9	ø6.3	500	240	1500	1000
C10	ø6.3	500	※	1500	※
E7	ø8	200	110	1000	820
E9	ø8	200	130	1000	900
E12	ø8	200	200	1000	980
E13	ø8	200	160	1000	1060
F8	ø10	200	180	500	890
F13	ø10	200	280	500	940

※ Please contact us.