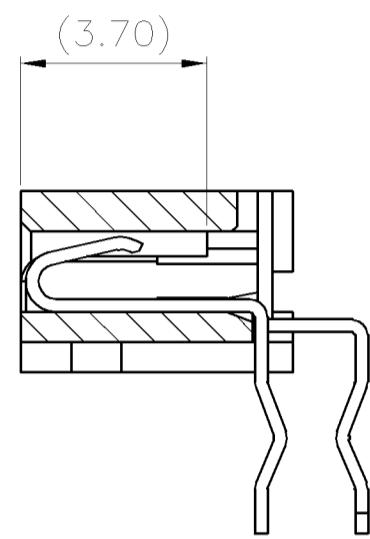
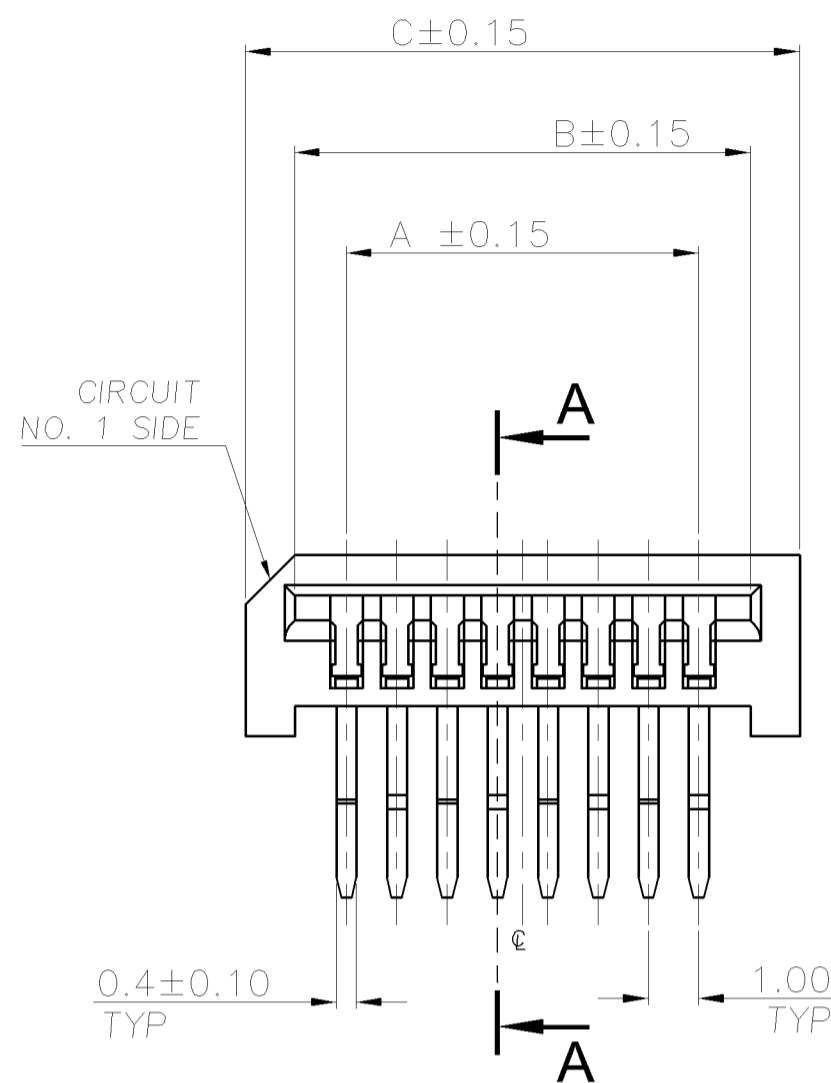
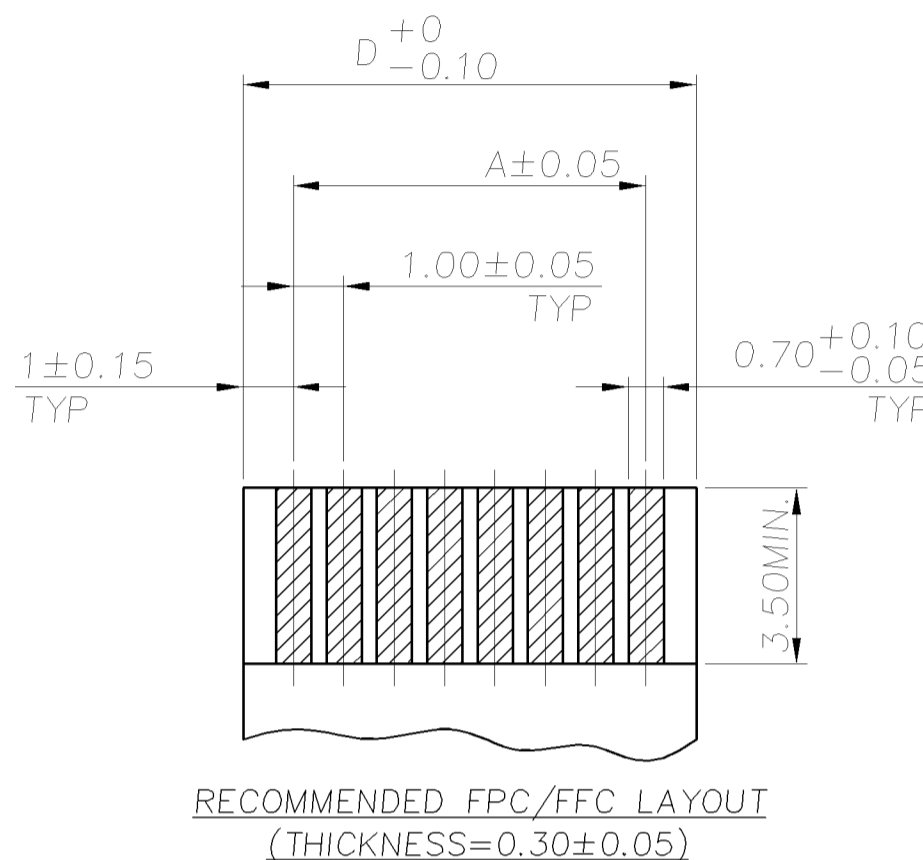


THIS DRAWING IS UNPUBLISHED. RELEASED FOR PUBLICATION  
 © COPYRIGHT BY TYCO ELECTRONICS CORPORATION. ALL RIGHTS RESERVED.

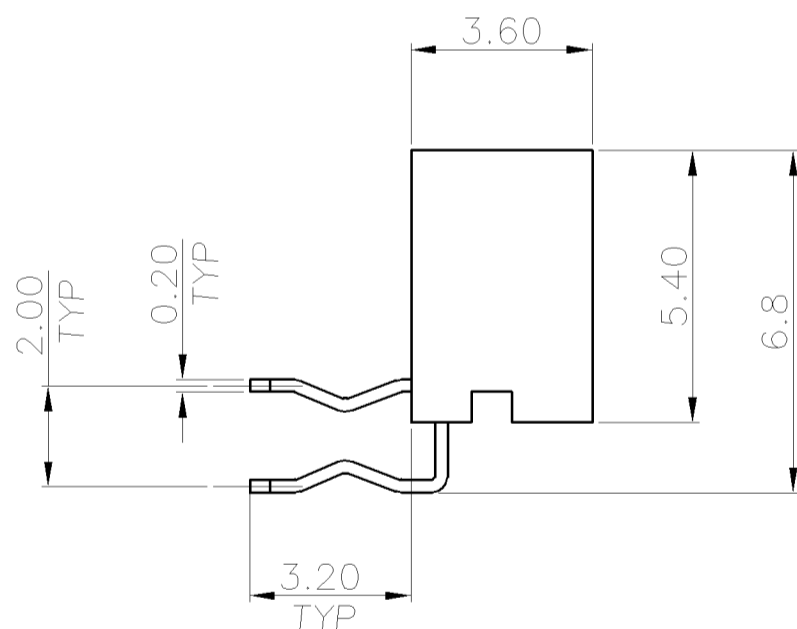
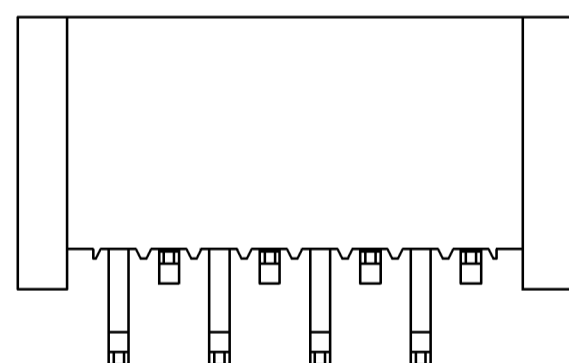
LOC	DIST	REVISIONS					
DW	—	P	LTR	DESCRIPTION	DATE	DWN	APVD
		A		RELEASED	31MAY07	HH	WK



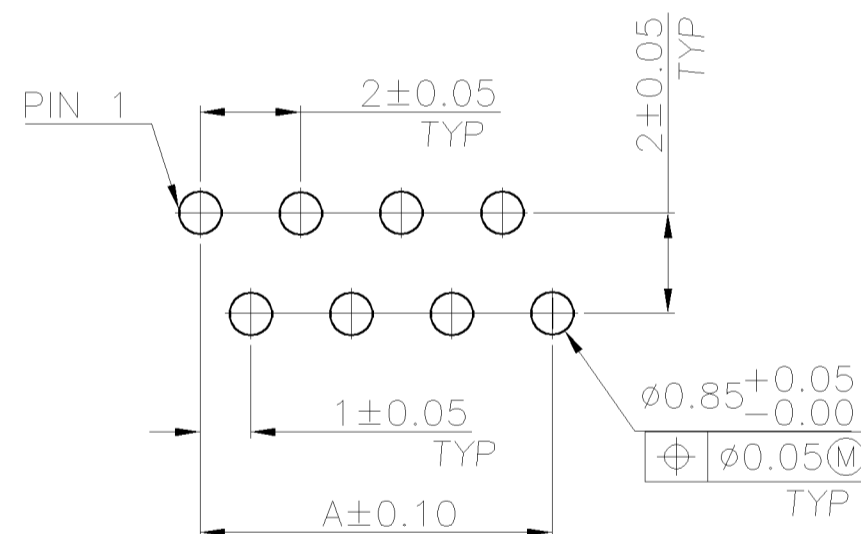
SECTION A-A



RECOMMENDED FPC/FFC LAYOUT  
(THICKNESS=0.30±0.05)



RECOMMENDED PCB LAYOUT  
TYPE B  
(THICKNESS=1.60)



WEIGHT	D	C	B	A	NO. OF CONTACTS	PART NUMBER
0.77g	31.00	33.00	31.05	29.00	30	3-1734779-0
0.74g	30.00	32.00	30.05	28.00	29	2-1734779-9
0.72g	29.00	31.00	29.05	27.00	28	2-1734779-8
0.69g	28.00	30.00	28.05	26.00	27	2-1734779-7
0.67g	27.00	29.00	27.05	25.00	26	2-1734779-6
0.64g	26.00	28.00	26.05	24.00	25	2-1734779-5
0.61g	25.00	27.00	25.05	23.00	24	2-1734779-4
0.59g	24.00	26.00	24.05	22.00	23	2-1734779-3
0.57g	23.00	25.00	23.05	21.00	22	2-1734779-2
0.55g	22.00	24.00	22.05	20.00	21	2-1734779-1
0.53g	21.00	23.00	21.05	19.00	20	2-1734779-0
0.51g	20.00	22.00	20.05	18.00	19	1-1734779-9
0.49g	19.00	21.00	19.05	17.00	18	1-1734779-8
0.47g	18.00	20.00	18.05	16.00	17	1-1734779-7
0.45g	17.00	19.00	17.05	15.00	16	1-1734779-6
0.43g	16.00	18.00	16.05	14.00	15	1-1734779-5
0.41g	15.00	17.00	15.05	13.00	14	1-1734779-4
0.38g	14.00	16.00	14.05	12.00	13	1-1734779-3
0.36g	13.00	15.00	13.05	11.00	12	1-1734779-2
0.34g	12.00	14.00	12.05	10.00	11	1-1734779-1
0.32g	11.00	13.00	11.05	9.00	10	1-1734779-0
0.30g	10.00	12.00	10.05	8.00	09	1734779-9
0.28g	9.00	11.00	9.05	7.00	08	1734779-8
0.26g	8.00	10.00	8.05	6.00	07	1734779-7
0.24g	7.00	9.00	7.05	5.00	06	1734779-6
0.22g	6.00	8.00	6.05	4.00	05	1734779-5
0.20g	5.00	7.00	5.05	3.00	04	1734779-4

NOTE:

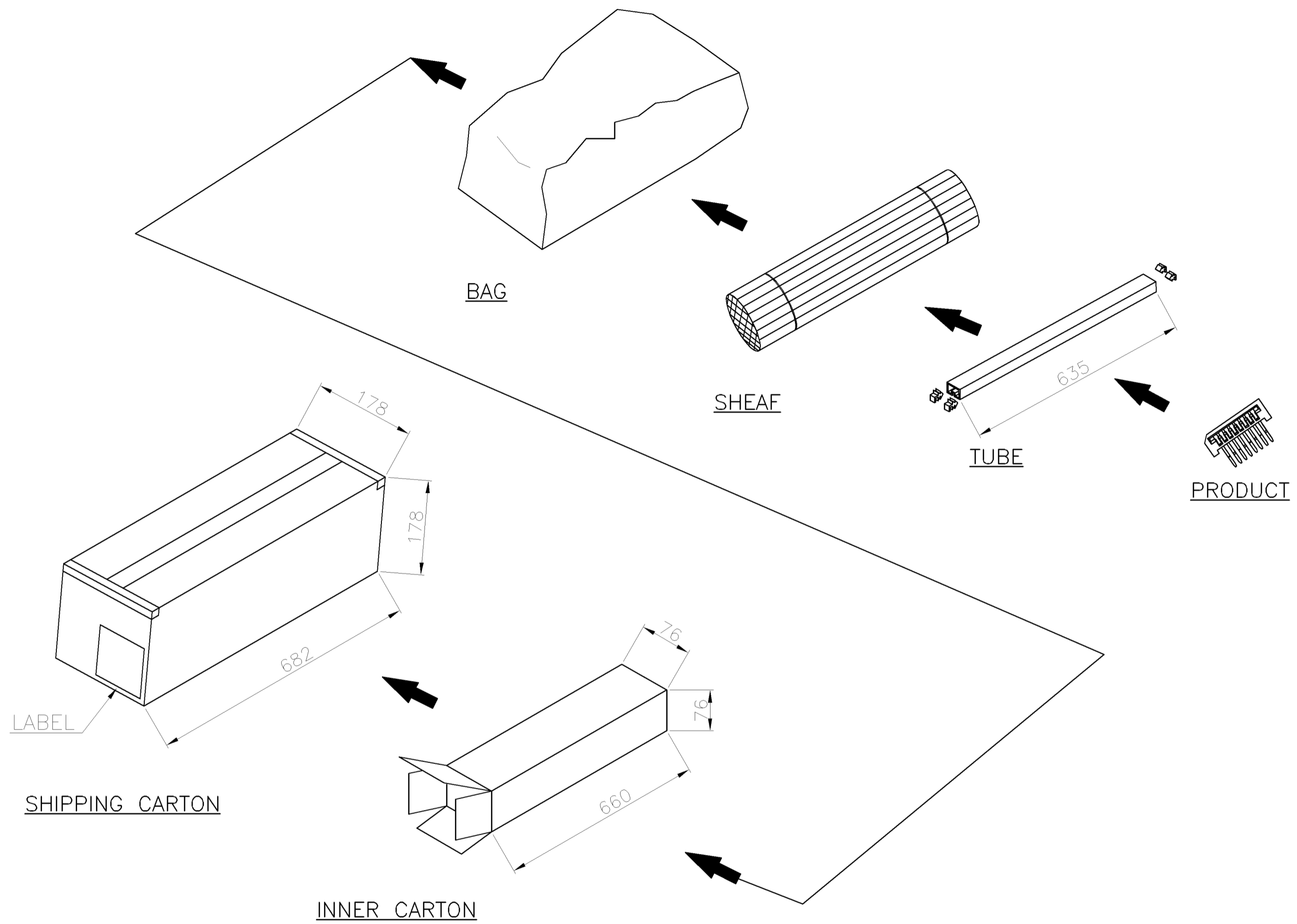
- MATERIAL:  
HOUSING: THERMOPLASTIC (PA9T) WITH 33% GF, UL 94V-0, BLACK COLOR.  
CONTACTS: PHOSPHOR BRONZE.
- FINISH:  
CONTACTS: 2.54μm [100μ"] MIN. MATTE-TIN OVER 1.27μm [50μ"] MIN. NICKEL ON ENTIRE CONTACT.
- WAVE SOLDER CAPABLE TO 265°C PER TYCO TEST SPEC. 109-202, CONDITION B.

THIS DRAWING IS A CONTROLLED DOCUMENT.		DWN	H. HUANG	31MAY2007	Tyco Electronics Corporation Taipei, Taiwan
DIMENSIONS: MM		CHK	S. HOU	31MAY2007	
TOLERANCES UNLESS OTHERWISE SPECIFIED:		APVD	W.J. KE	31MAY2007	
0 PLC ± 0.5 1 PLC ± 0.38 2 PLC ± 0.25 3 PLC ± 0.15 4 PLC ± - ANGLES ± -		PRODUCT SPEC		NAME	
MATERIAL: SEE NOTE		FINISH: SEE NOTE		108-57354	FPC/FFC CONNECTOR, 1.0 PITCH,
				501-57449	NON-ZIF, R/A, BOTTOM CONTACT, DIP TYPE
				WEIGHT: SEE TABLE	RESTRICTED TO: -
				CUSTOMER DRAWING	SCALE: - SHEET: 1 OF 2 REV: A

THIS DRAWING IS UNPUBLISHED. RELEASED FOR PUBLICATION  
 © COPYRIGHT BY TYCO ELECTRONICS CORPORATION. ALL RIGHTS RESERVED.

LOC	DIST	REVISIONS					
DW	—	P	LTR	DESCRIPTION	DATE	DWN	APVD
				SEE SHEET 1.			

NOTE:  
 1. PACKAGING MATERIAL IN PLASTIC, RUBBER, INK, PIGMENT AND PAINT MUST MEET CONTROLLED SUBSTANCES SPEC PER 230-702.  
 \* CADMIUM AND CADMIUM COMPOUNDS NOT TO EXCEED: 5 PPM.  
 \* LEAD, CADMIUM, CHROM VI AND MERCURY NOT TO EXCEED: 100 PPM (COMBINED).



8.23 Kg	3.30 Kg	120	36	4320 PCS	30
8.31 Kg	3.39 Kg		38	4560 PCS	29
8.36 Kg	3.44 Kg		40	4800 PCS	28
8.24 Kg	3.32 Kg		40	4800 PCS	27
8.29 Kg	3.37 Kg		42	5040 PCS	26
8.27 Kg	3.35 Kg		44	5280 PCS	25
8.16 Kg	3.24 Kg		44	5280 PCS	24
8.20 Kg	3.27 Kg		46	5520 PCS	23
8.22 Kg	3.29 Kg		48	5760 PCS	22
8.23 Kg	3.31 Kg		50	6000 PCS	21
9.10 Kg	4.18 Kg		54	6480 PCS	20
8.90 Kg	3.89 Kg		56	6720 PCS	19
8.81 Kg	3.89 Kg		58	6960 PCS	18
8.73 Kg	3.81 Kg		62	7440 PCS	17
8.63 Kg	3.71 Kg		64	7680 PCS	16
8.61 Kg	3.68 Kg		68	8160 PCS	15
8.56 Kg	3.64 Kg		72	8640 PCS	14
8.53 Kg	3.61 Kg	76	9120 PCS	13	
8.49 Kg	3.57 Kg	82	9840 PCS	12	
8.44 Kg	3.51 Kg	88	10560 PCS	11	
8.41 Kg	3.49 Kg	94	11280 PCS	10	
8.39 Kg	3.46 Kg	102	12240 PCS	09	
8.37 Kg	3.44 Kg	110	13200 PCS	08	
8.40 Kg	3.47 Kg	122	14640 PCS	07	
8.40 Kg	3.40 Kg	136	16320 PCS	06	
8.34 Kg	3.42 Kg	152	18240 PCS	05	
8.36 Kg	3.43 Kg	174	20880 PCS	04	
GROSS WEIGHT	NET WEIGHT	TUBES / CARTON	PCS/TUBE	QUANTITY	NO. OF POS.

THIS DRAWING IS A CONTROLLED DOCUMENT.		DWN H. HUANG 31MAY2007	Tyco Electronics Corporation Taipei, Taiwan		
DIMENSIONS: MM		CHK S. HOU 31MAY2007			
TOLERANCES UNLESS OTHERWISE SPECIFIED:		APVD W.J. KE 31MAY2007	NAME FPC/FFC CONNECTOR, 1.0 PITCH, NON-ZIF, R/A, BOTTOM CONTACT, DIP TYPE		
		PRODUCT SPEC	SIZE A300779		
MATERIAL		APPLICATION SPEC	CAGE CODE C=1734779		
FINISH		WEIGHT	DRAWING NO —		
—		CUSTOMER DRAWING	RESTRICTED TO —		
—		SCALE	SHEET 2 OF 2		
—		REV	A		