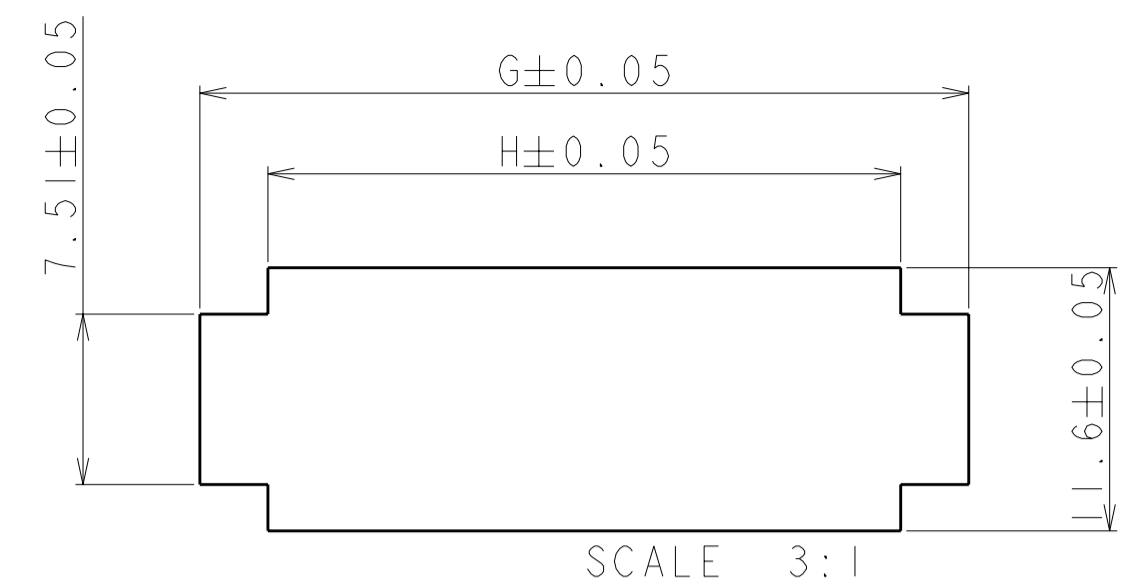
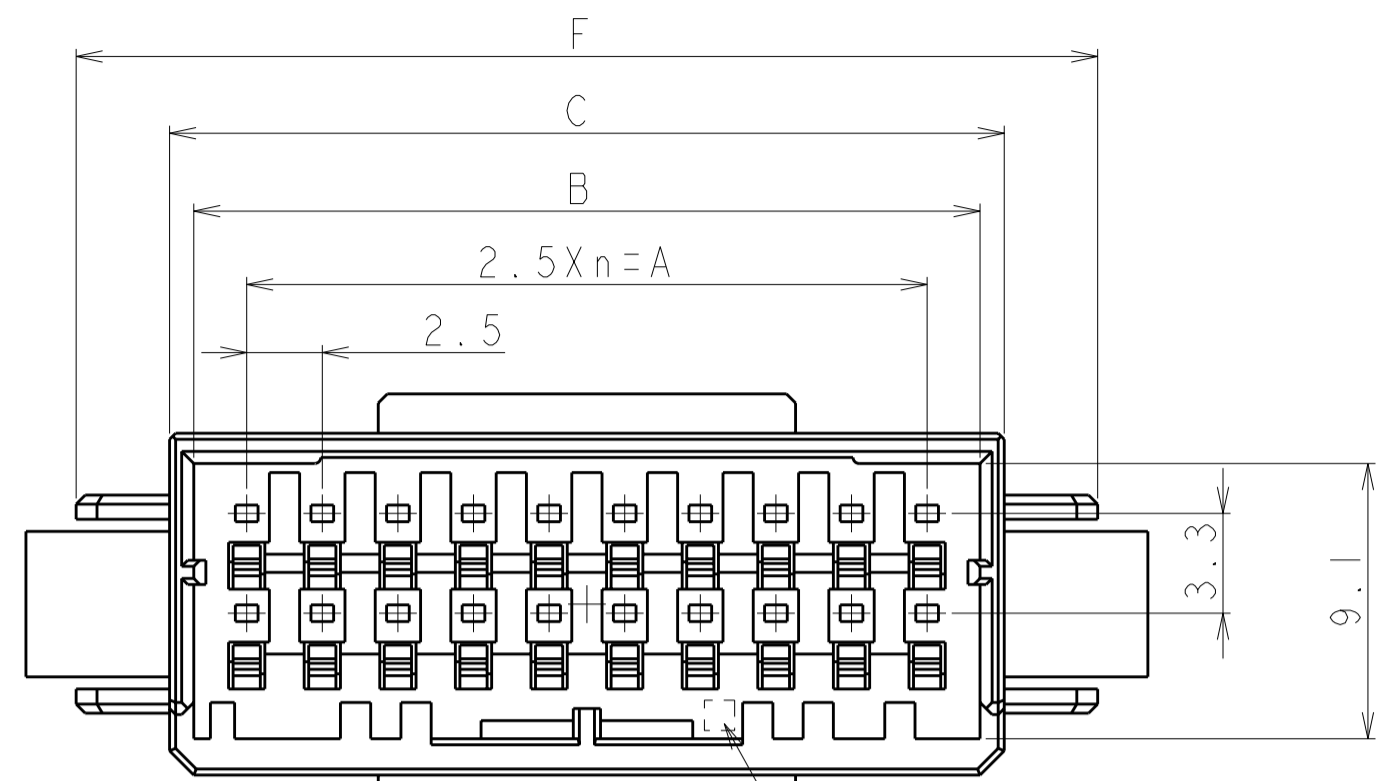


THIS DRAWING IS UNPUBLISHED. RELEASED FOR PUBLICATION 200  
 © COPYRIGHT 200 BY TYCO ELECTRONICS CORPORATION. ALL INTERNATIONAL RIGHTS RESERVED.

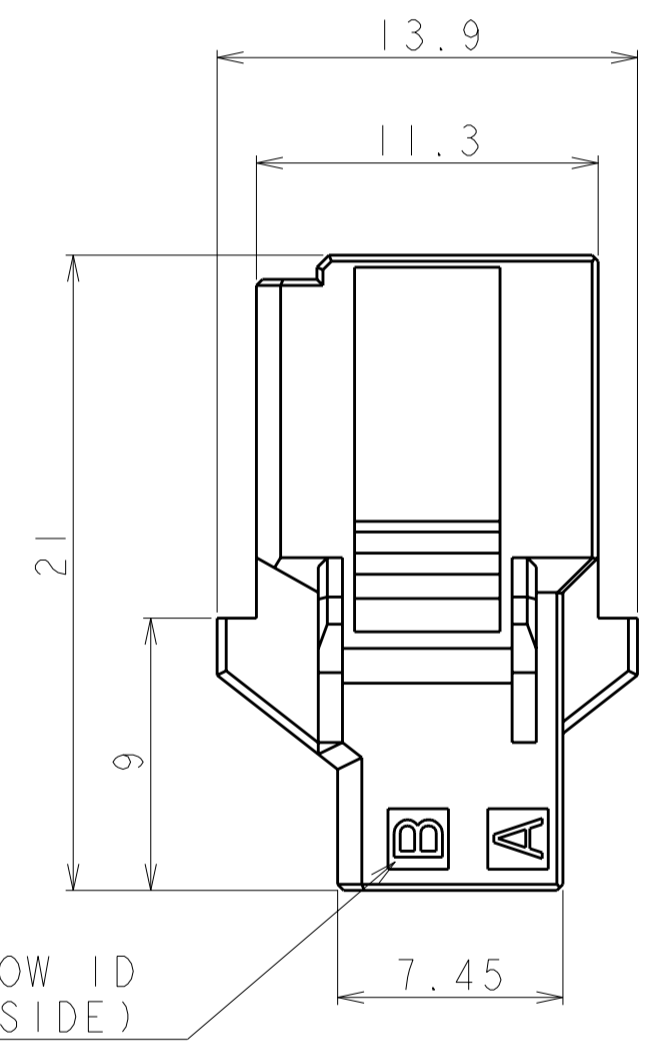
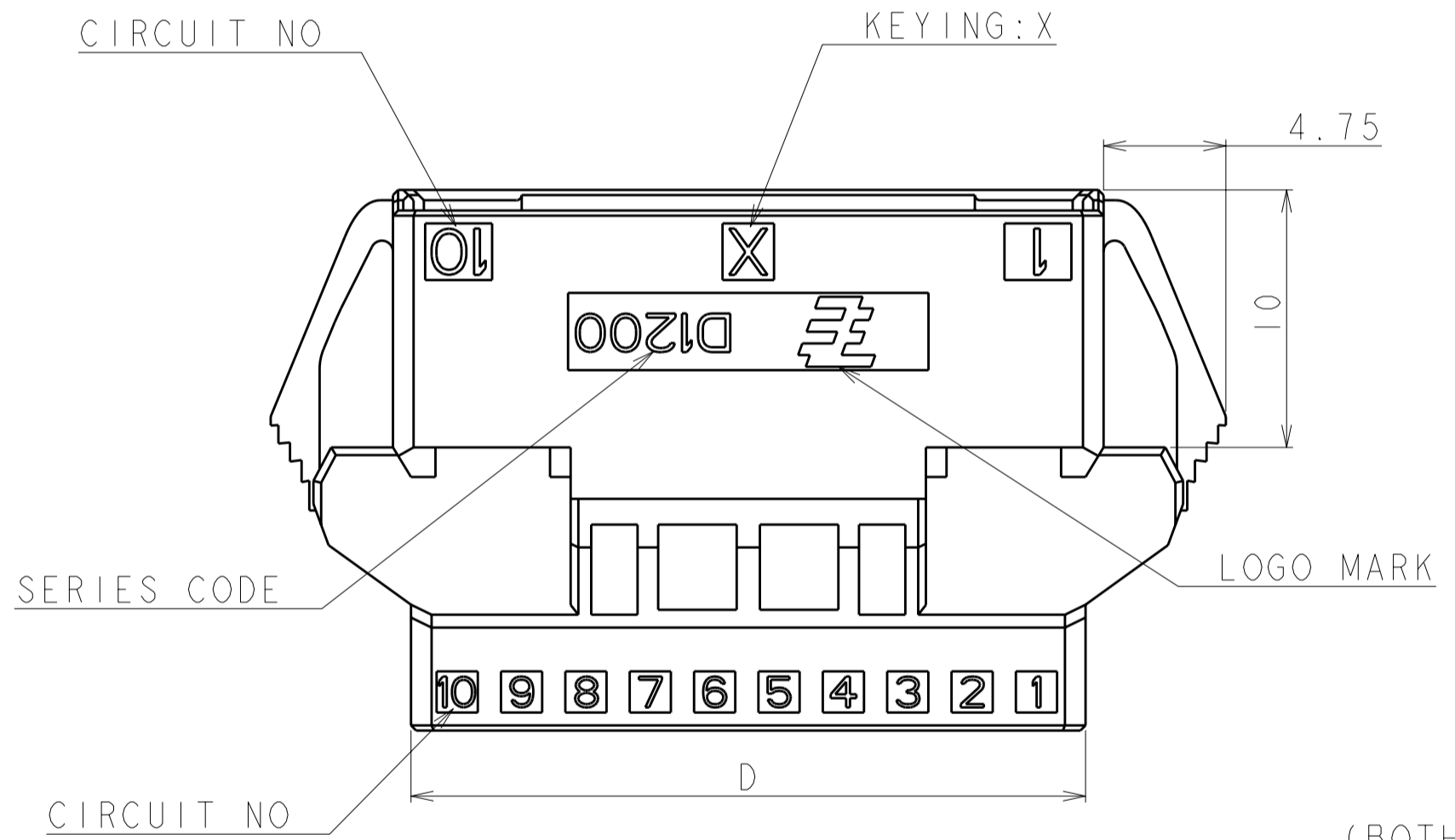
LOC	DIST	REVISIONS					
J		P	LTR	DESCRIPTION	DATE	DWN	APVD
		C		REVISED PER ECR-10-017569	26AUG2010	HMR	T.M



RECOMMENDED PANEL LAYOUT  
 (APPLICABLE PANEL THICKNESS : 0.8, 1.0, 1.6, 2.0)

パネル加工推奨寸法図  
 (適用パネル厚 : 0.8, 1.0, 1.6, 2.0)

20POS(X-KEY):1-1903131-0  
 CAVITY MARK (ALPHABET:CAPITAL LETTER)

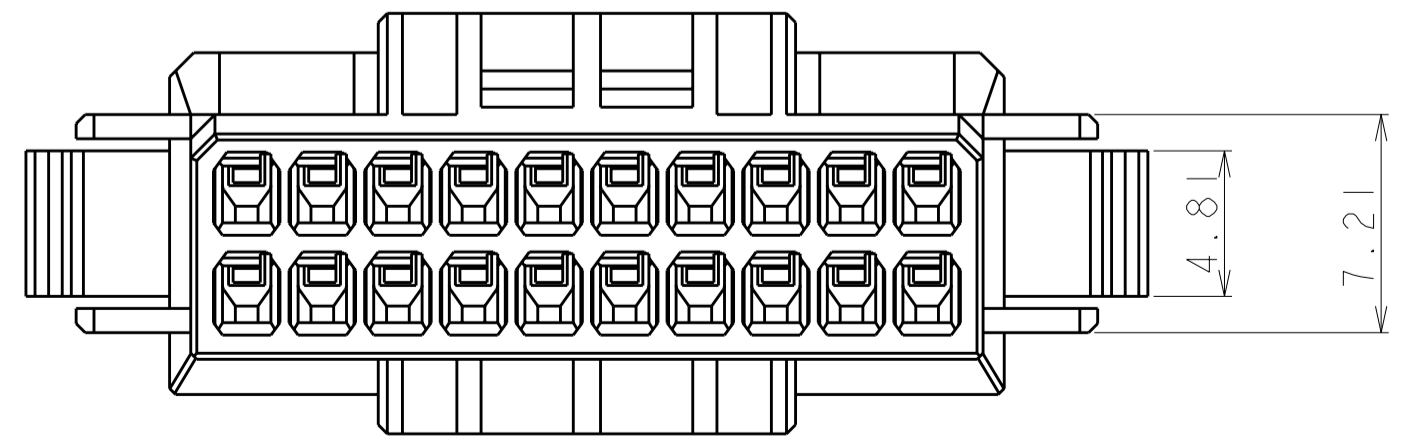


1. MATERIAL: GLASS FILLED THERMO PLASTIC POLYESTER(94V-0), COLOR: BLACK
2. THE SHAPE, SIZE AND POSITION OF THE CHARACTER SHOW THE OUTLINE. THEY DON'T SHOW DETAILS.
3. THE KEYING ARRANGEMENT OF "Y" IS SYMMETRIC WITH "X".

1. 材料: ガラス入り熱可塑性ポリエステル樹脂(94V-0), 色: 黒
2. 文字の形状、大きさ、および位置については、大略を示すものであり、詳細を示すものではありません。
3. Y KEY形状は、X KEY形状と左右対称

AS SHOWN 20POS(X-KEY) : 1-1903131-0

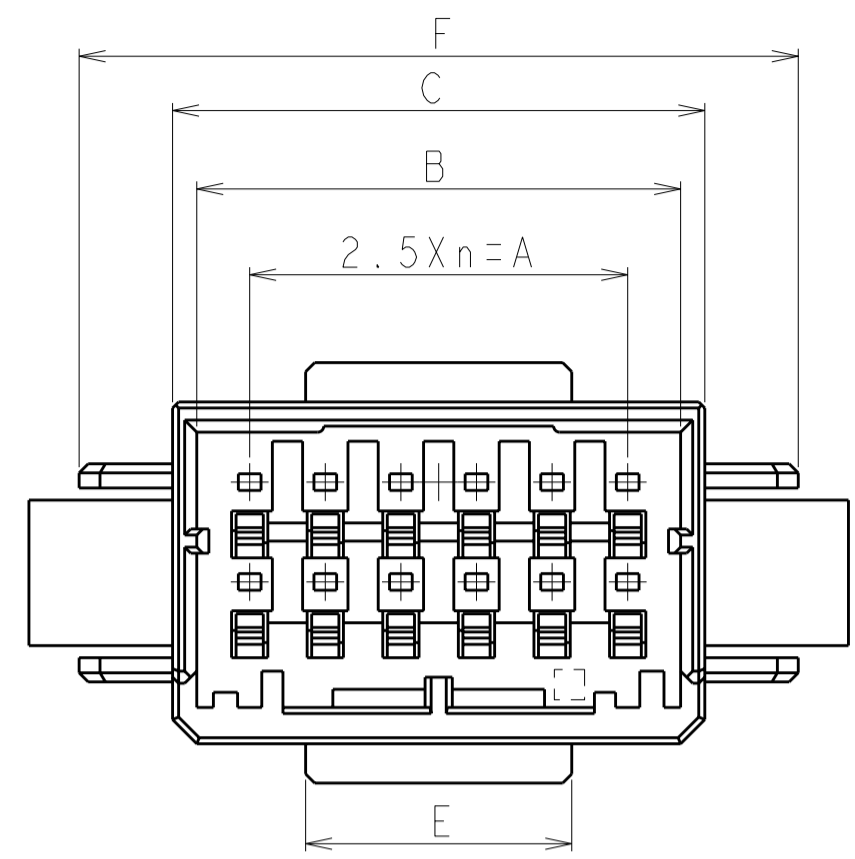
POS	KEY	n	A	B	C	D	E	F	G	H	PART NO
20	Y	9	22.5	26.0	27.6	26.2	13.80	33.78	33.9	27.9	2-1903131-0
20	X	9	22.5	26.0	27.6	26.2	13.80	33.78	33.9	27.9	1-1903131-0
12	Y	5	12.5	16.0	17.6	16.2	8.80	23.78	23.9	17.9	2-1903131-6
12	X	5	12.5	16.0	17.6	16.2	8.80	23.78	23.9	17.9	1-1903131-6
8	Y	3	7.5	11.0	12.6	11.2	6.30	18.78	18.9	12.9	2-1903131-4
8	X	3	7.5	11.0	12.6	11.2	6.30	18.78	18.9	12.9	1-1903131-4
6	Y	2	5.0	8.5	10.1	8.7	5.05	16.28	16.4	10.4	2-1903131-3
6	X	2	5.0	8.5	10.1	8.7	5.05	16.28	16.4	10.4	1-1903131-3
4	X	1	2.5	6.0	7.6	6.2	3.80	13.78	13.9	7.9	1-1903131-2



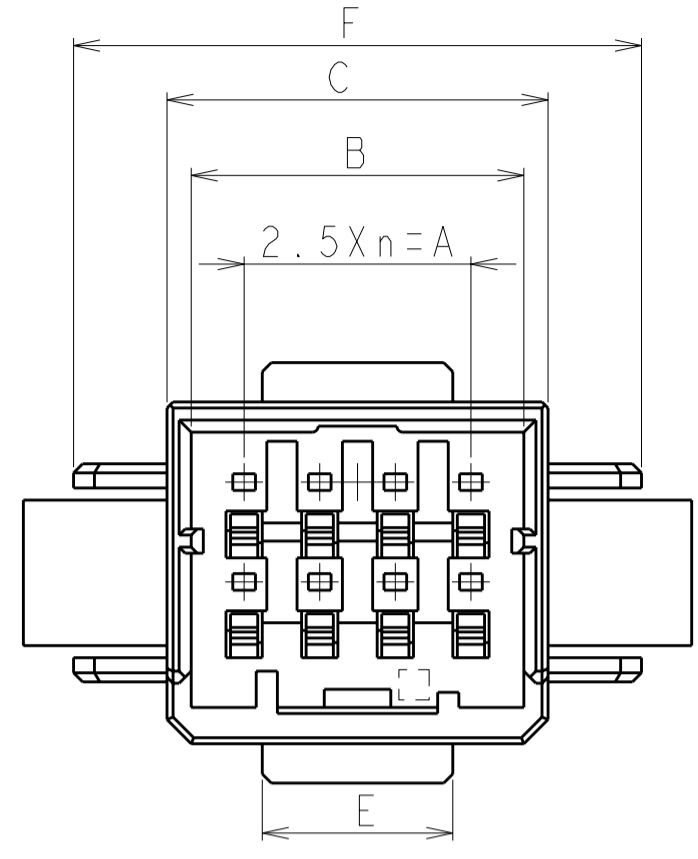
THIS DRAWING IS A CONTROLLED DOCUMENT FOR TYCO ELECTRONICS CORPORATION. IT IS SUBJECT TO CHANGE AND THE CONTROLLING ENGINEERING ORGANIZATION SHOULD BE CONTACTED FOR THE LATEST REVISION.		DWN M. MAEBASHI 17APR2006	Tyco Electronics Corporation Kawasaki, Japan	
DIMENSIONS: 単位: 概 mm		CHK T. KUDO 17APR2006	NAME DYNAMIC DI200D 2.5mm PITCH TAB HSG, PANEL MOUNT TYPE 4-20 POS	
TOLERANCES UNLESS OTHERWISE SPECIFIED: 一般公差 ±0.3, ±3°		APVD D. MITSUGI 17APR2006	PRODUCT SPEC 108-78268, 78298	
0-PLC ±		APPLICATION SPEC 取付適用規格		
1-PLC ±		114-5377		
2-PLC ±		WEIGHT		
3-PLC ±		A200779C-1903131		
4-PLC ±		CUSTOMER DRAWING		
ANGLES ±		SCALE 1:1		
FINISH 仕上		SHEET 1 OF 2 REV C		

THIS DRAWING IS UNPUBLISHED. RELEASED FOR PUBLICATION 200  
 © COPYRIGHT 200 BY TYCO ELECTRONICS CORPORATION. ALL INTERNATIONAL RIGHTS RESERVED.

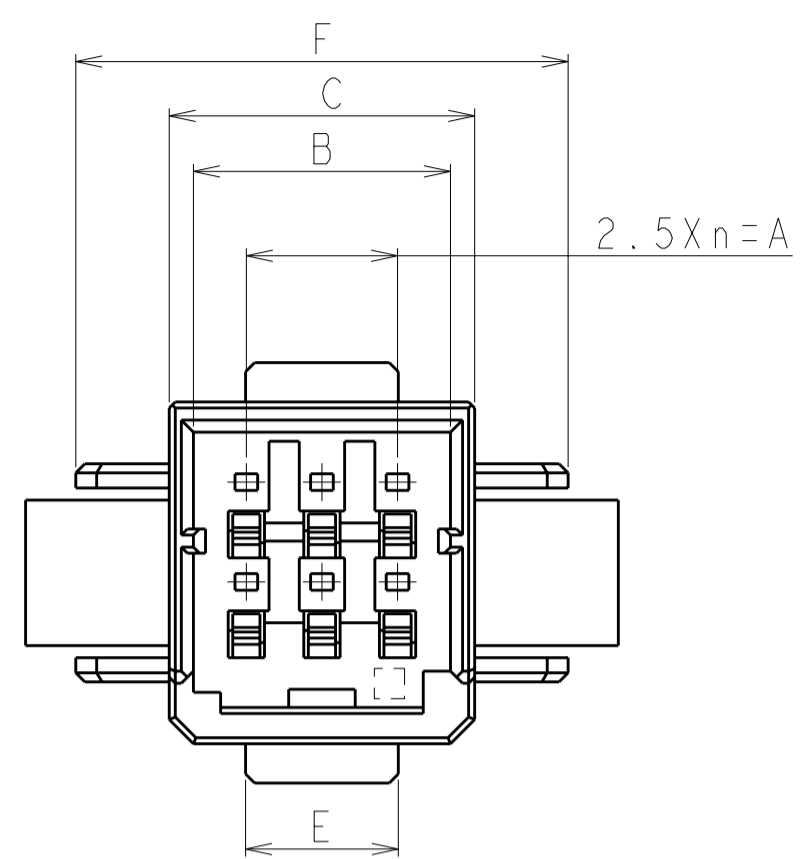
LOC		DIST		REVISIONS			
P	LTR	DATE	DWN	APVD	DESCRIPTION		
J					SEE SHEET 1 OF 2		



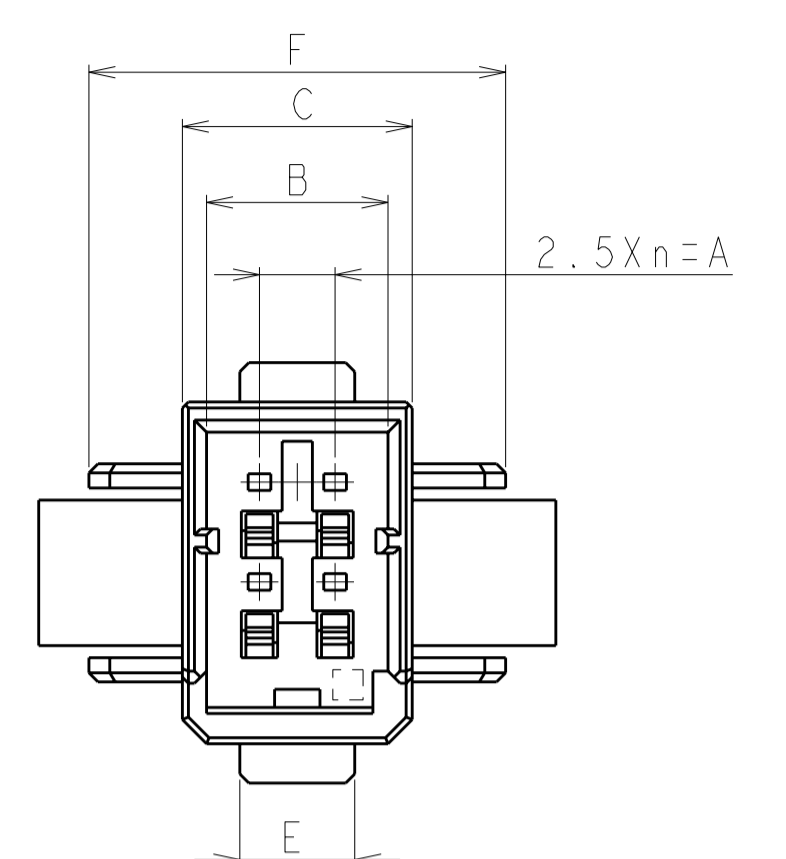
12POS(X-KEY): 1-1903131-6



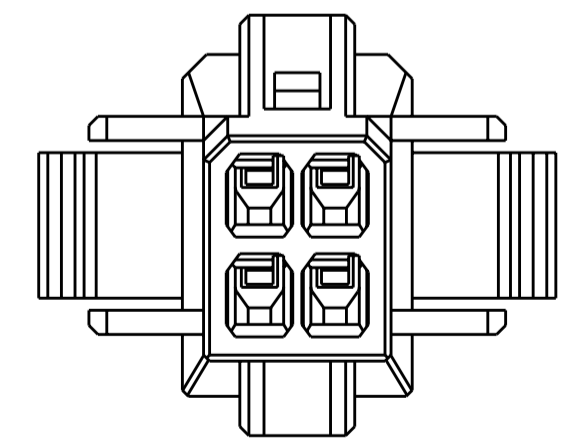
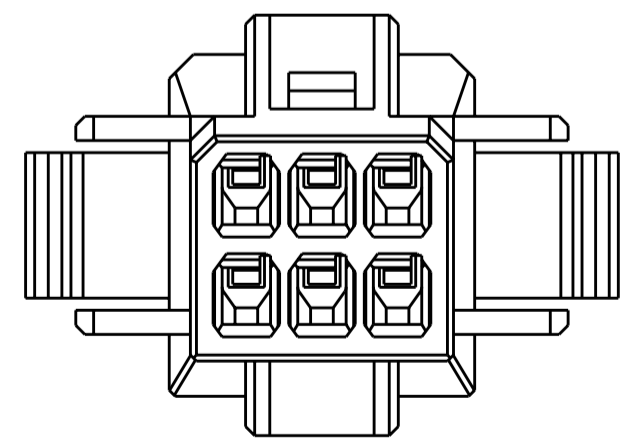
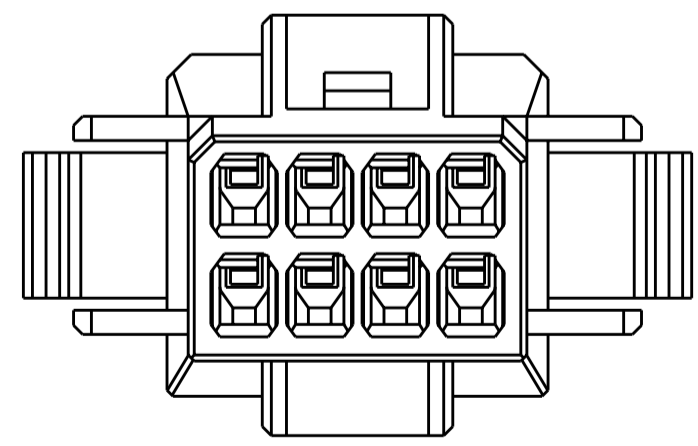
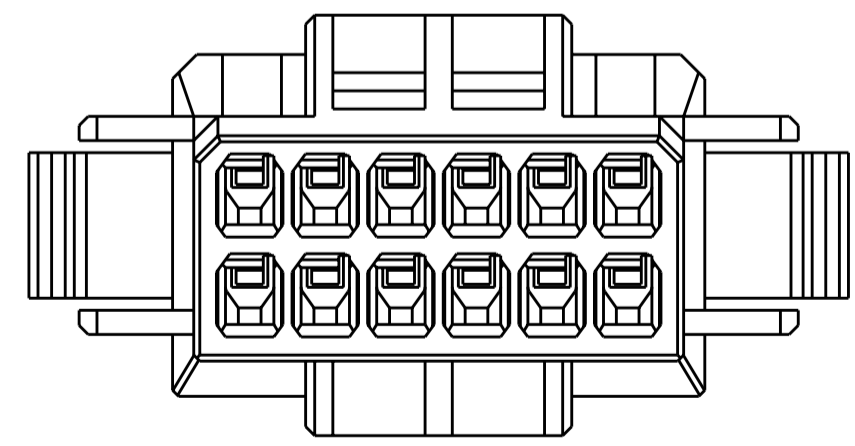
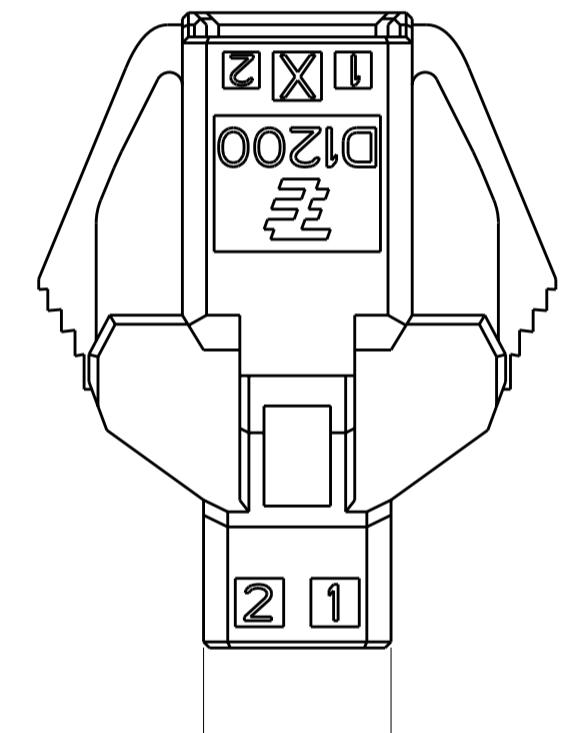
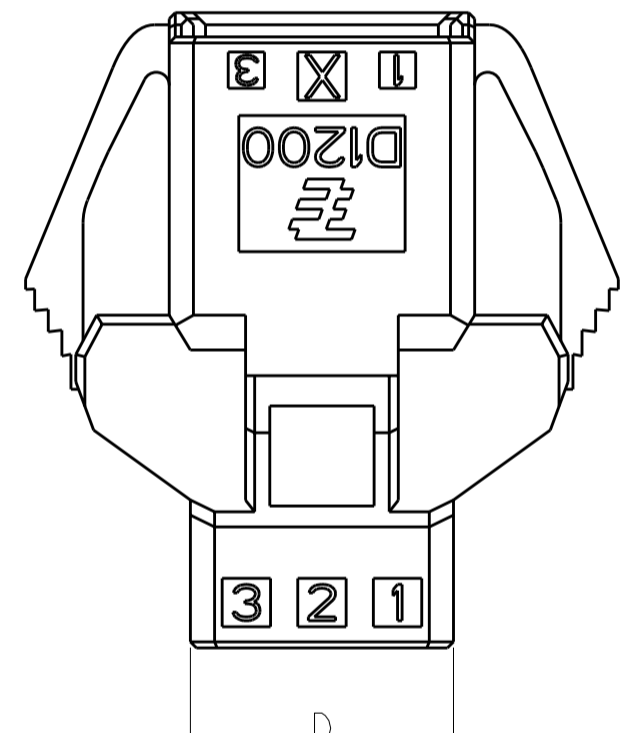
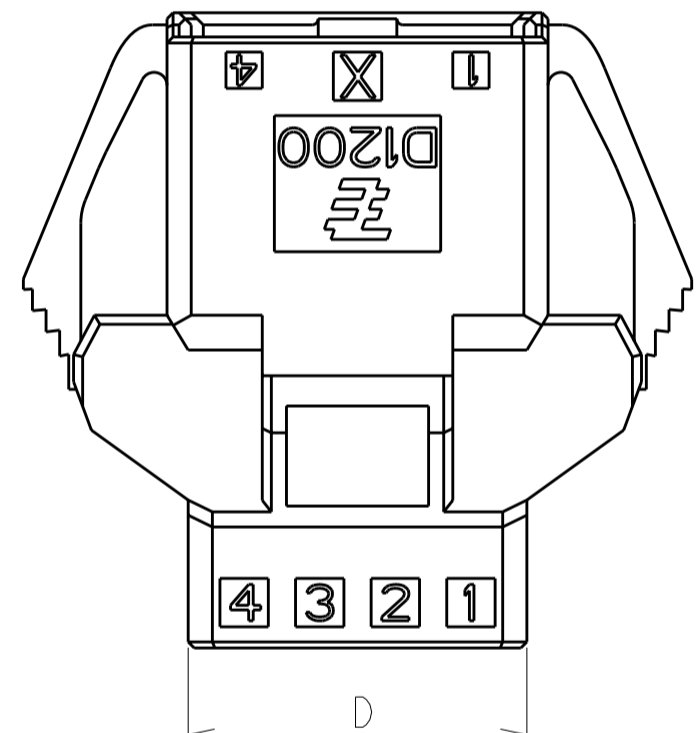
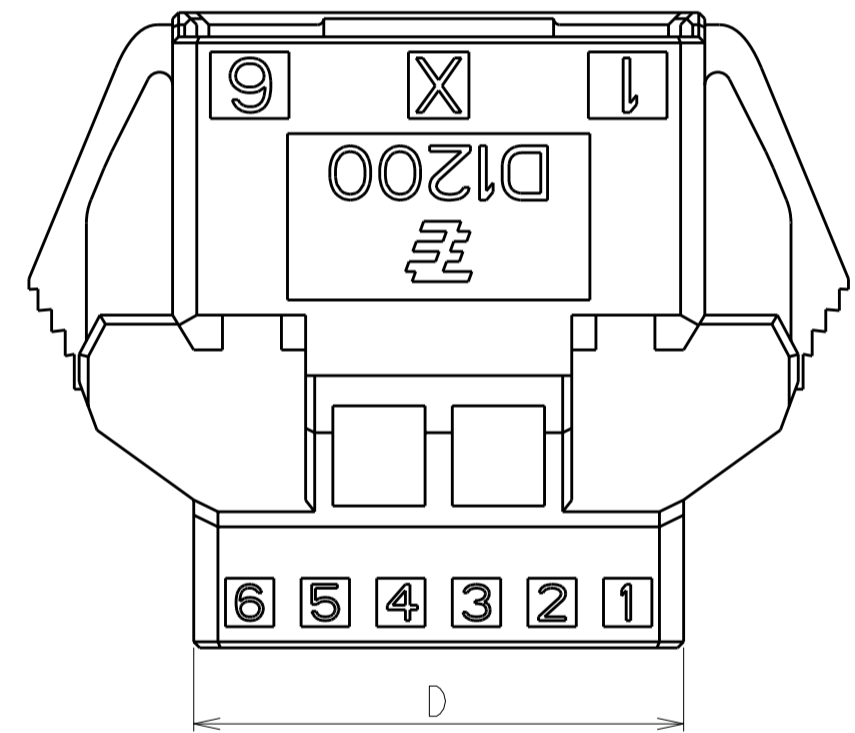
8POS(X-KEY): 1-1903131-4



6POS(X-KEY): 1-1903131-3



4POS(X-KEY): 1-1903131-2



THIS DRAWING IS A CONTROLLED DOCUMENT FOR TYCO ELECTRONICS CORPORATION IT IS SUBJECT TO CHANGE AND THE CONTROLLING ENGINEERING ORGANIZATION SHOULD BE CONTACTED FOR THE LATEST REVISION.		DWN M. MAEBASHI 17APR2006 CHK T. KUDO 17APR2006 APVD D. MITSUGI 17APR2006	<b>Tyco Electronics</b> Tyco Electronics Corporation Kawasaki, Japan
DIMENSIONS: 单位: 毫米 mm	TOLERANCES UNLESS OTHERWISE SPECIFIED: 一般公差 0 PLC ± 1 PLC ± 2 PLC ± 3 PLC ± 4 PLC ± ANGLES ± FINISH 仕上	PRODUCT SPEC 製品規格 108-78268, 78298 APPLICATION SPEC 取付適用規格 114-5377	NAME 名称 DYNAMIC D1200D 2.5mm PITCH TAB HSG, PANEL MOUNT TYPE 4-20 POS
MATERIAL 材料		WEIGHT	SIZE CAGE CODE DRAWING NO A200779C-1903131
CUSTOMER DRAWING		SCALE 4:1	SHEET 2 OF 2 REV C