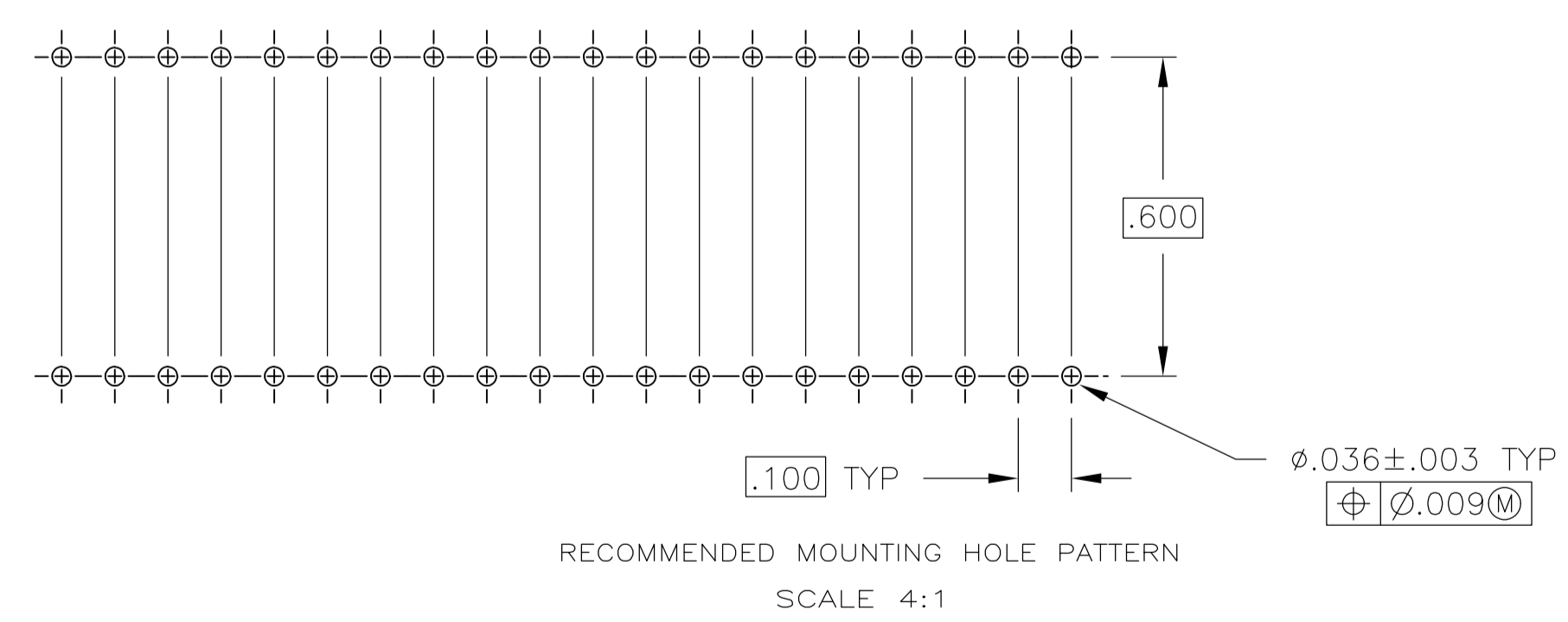
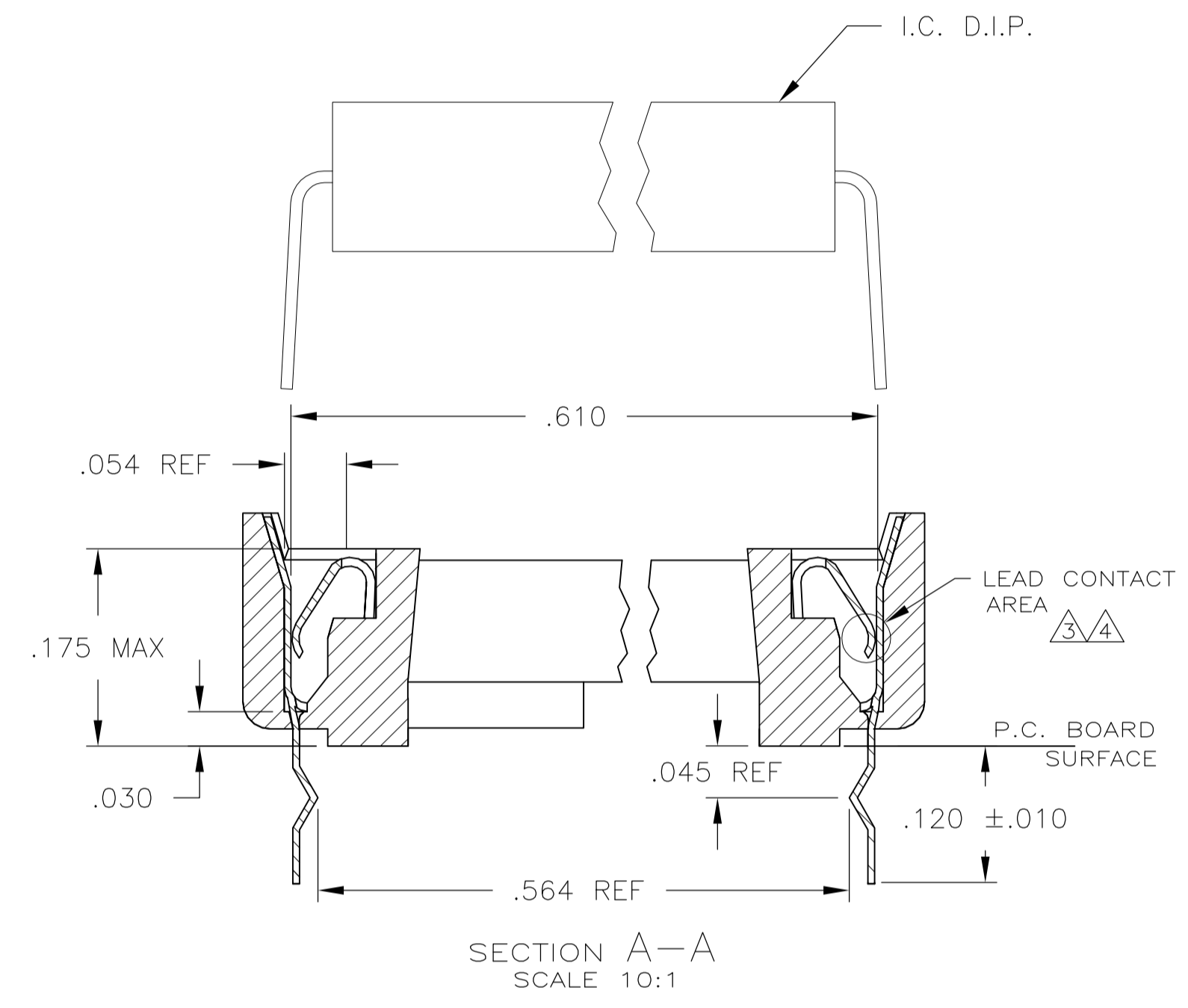
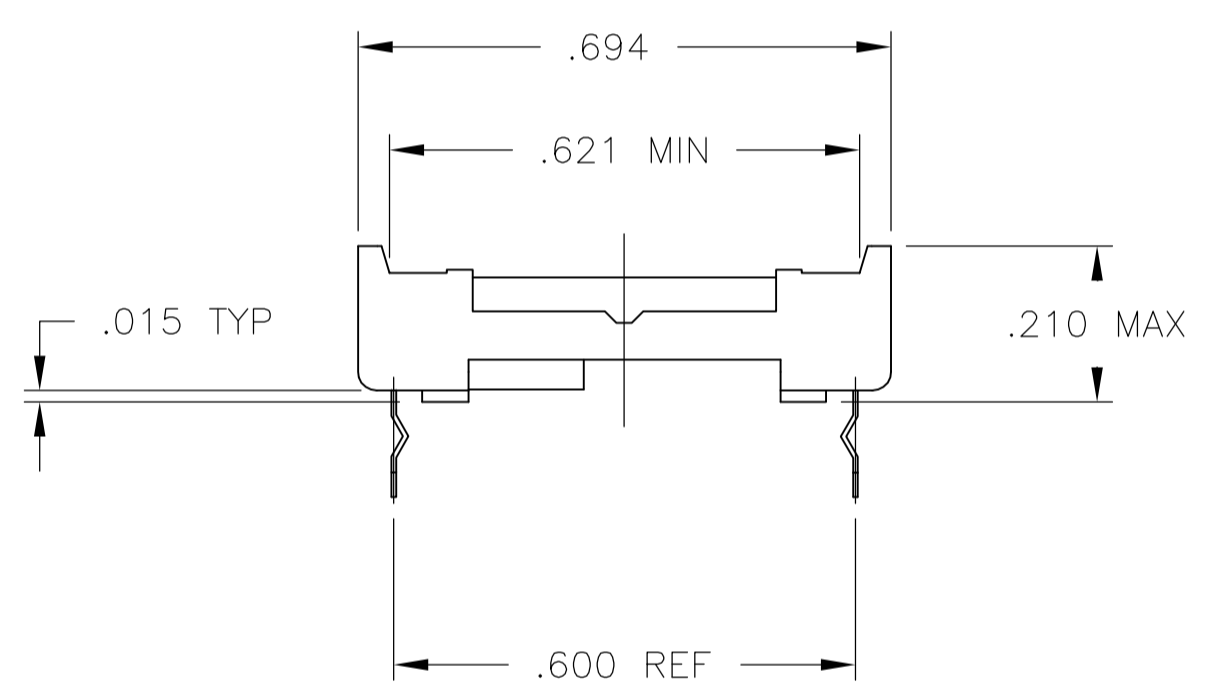
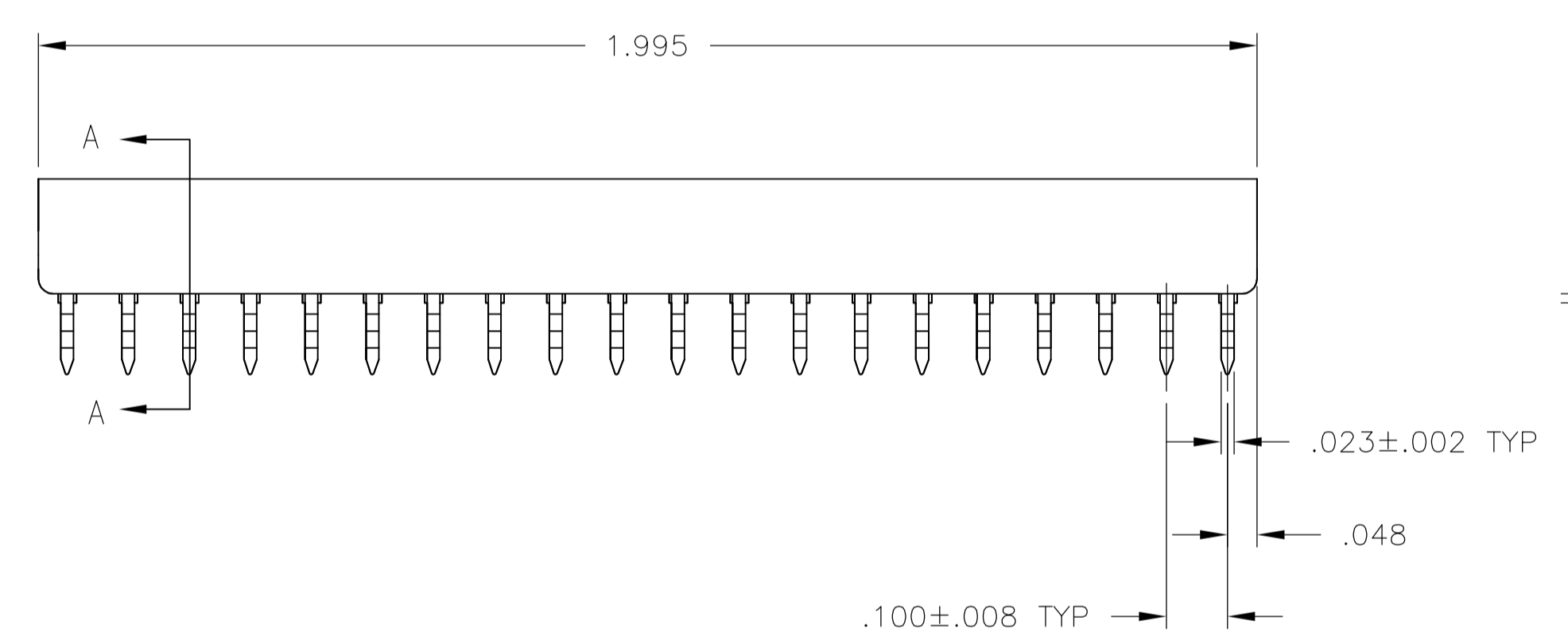
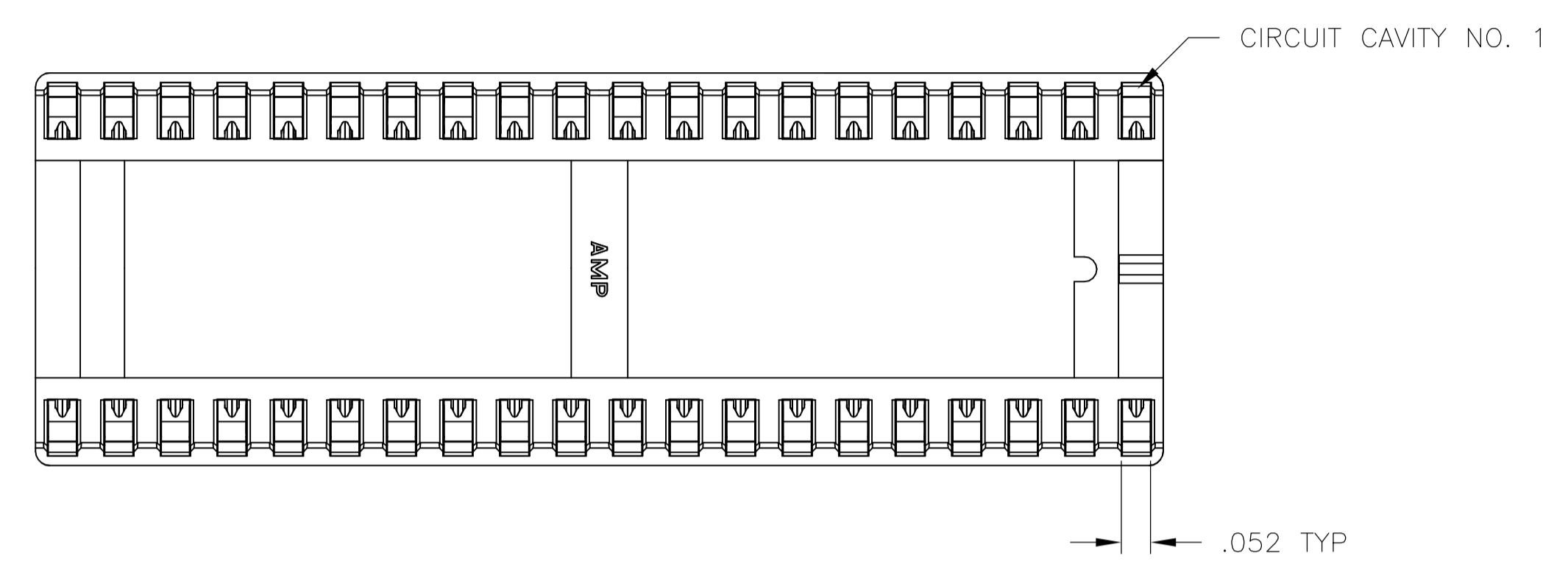


1. RECEPTACLE ACCEPTS A .008-.014 THICK I.C. LEAD.
2. TUBE LOADED FOR AUTOMATIC INSERTION.
3. TWO .000030 MIN THK. GOLD STRIPES IN CONTACT AREA WITH TIN-LEAD (93/7) ON CONTACT LEGS, BALANCE OF CONTACT NICKEL PLATED.
4. TWO .000015 MIN THK. GOLD STRIPES IN CONTACT AREA WITH TIN-LEAD (93/7) ON CONTACT LEGS, BALANCE OF CONTACT NICKEL PLATED.



SUPERSEDED BY 2-641616-3	TINNED	PHOS.BRZ. .006 THK	GLASS-FILLED THERMOPLASTIC, 94V-0, BLACK	2-641616-5
OBSOLETE	3	PHOS.BRZ. .006 THK	GLASS-FILLED THERMOPLASTIC, 94V-0, BLACK	2-641616-4
OBSOLETE	TINNED	PHOS.BRZ. .006 THK	GLASS-FILLED THERMOPLASTIC, 94V-0, BLACK	2-641616-3
	3	BE.CU. .006 THK	GLASS-FILLED THERMOPLASTIC, 94V-0, BLACK	2-641616-2
	TINNED	BE.CU. .006 THK	GLASS-FILLED THERMOPLASTIC, 94V-0, BLACK	2-641616-1
	CONTACT FINISH	CONTACT MAT'L	HOUSING MATERIAL	PART NO.

THIS DRAWING IS A CONTROLLED DOCUMENT.

DWN: R BROWN 09JAN01
CHK: H WYNKOOP 29AUG00

APVD: H WYNKOOP 29AUG00

NAME: SOCKET ASSY, DIP, LADDER, RET LEG, 40 POS, DIPLOMATE™ DL

PRODUCT SPEC: 108-1066

APPLICATION SPEC: 114-1049

SIZE: A1
CAGE CODE: 00779
DRAWING NO: 641616

RESTRICTED TO: 1

SCALE: 4:1
SHEET: 1 of 1
REV: T1