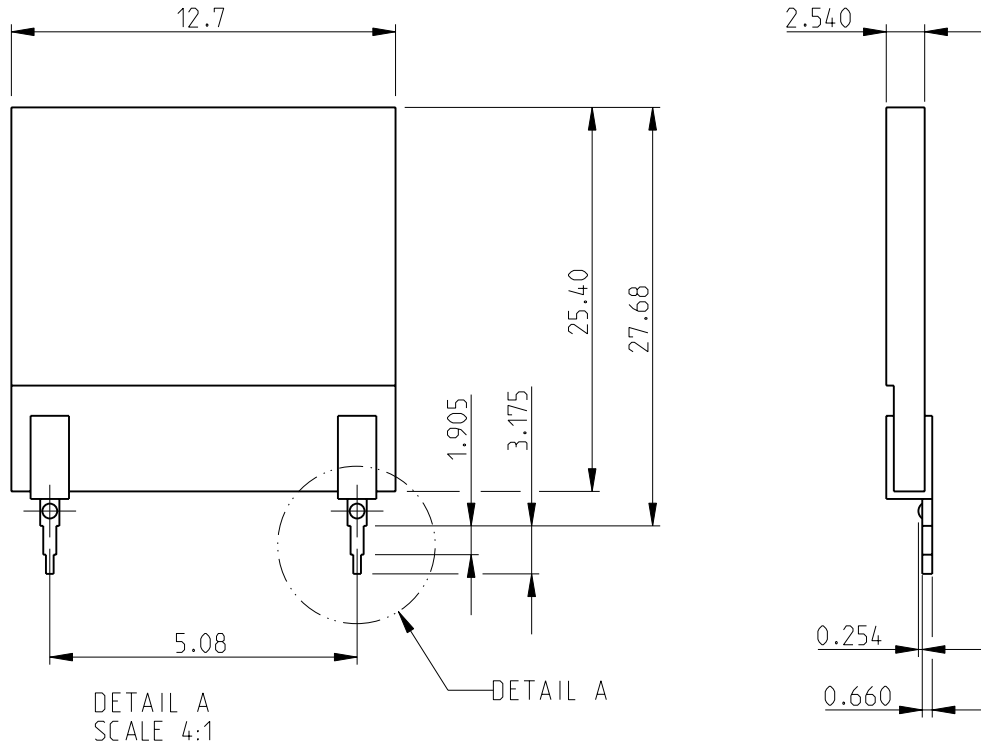
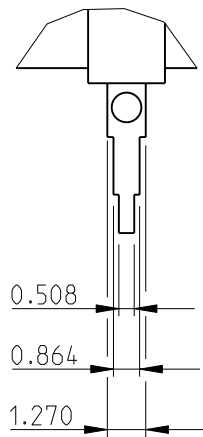


LOC	DIST	REVISIONS			
P	LTR	DESCRIPTION	DATE	DWN	APVD
E	B				
	BA	NEW RELEASE	27-JAN-2011	PT	St.P

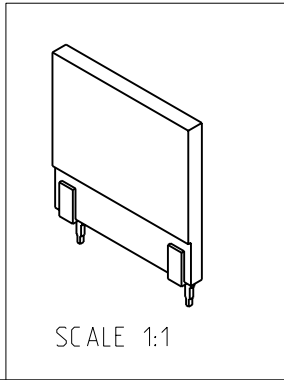
FOR FURTHER INFORMATION SEE DATA SHEET FOR
SERIES MPC - HIGH POWER RESISTORS



DETAIL A
SCALE 4:1



RoHS Compliant



2008

RELEASED FOR PUBLICATION

THIS DRAWING IS UNPUBLISHED.

BY TYCO ELECTRONICS CORPORATION. ALL RIGHTS RESERVED.

DIMENSIONS:	
mm	
TOLERANCES UNLESS OTHERWISE SPECIFIED:	
0 PLC	±0.2
1 PLC	±0.1
2 PLC	±
3 PLC	±
4 PLC	±
ANGLES	±5°

DWN	T.PARUSURAM	27-JAN-2011
CHK	ALLAN.P	27-JAN-2011
APVD	STEPHEN.P	27-JAN-2011
PRODUCT SPEC	-	
APPLICATION SPEC	-	
WEIGHT	-	

MATERIAL	-		FINISH	-	
			Tyco Electronics Corporation Dorcan, Swindon, SN3 5HH		
NAME HIGH POWER RESISTORS SERIES MPC					
SIZE	CAGE CODE	DRAWING NO	RESTRICTED TO		
A 4	00779	©-1623776	-		
CUSTOMER DRAWING			SCALE	SHEET	REV
			2:1	1 OF 1	BA