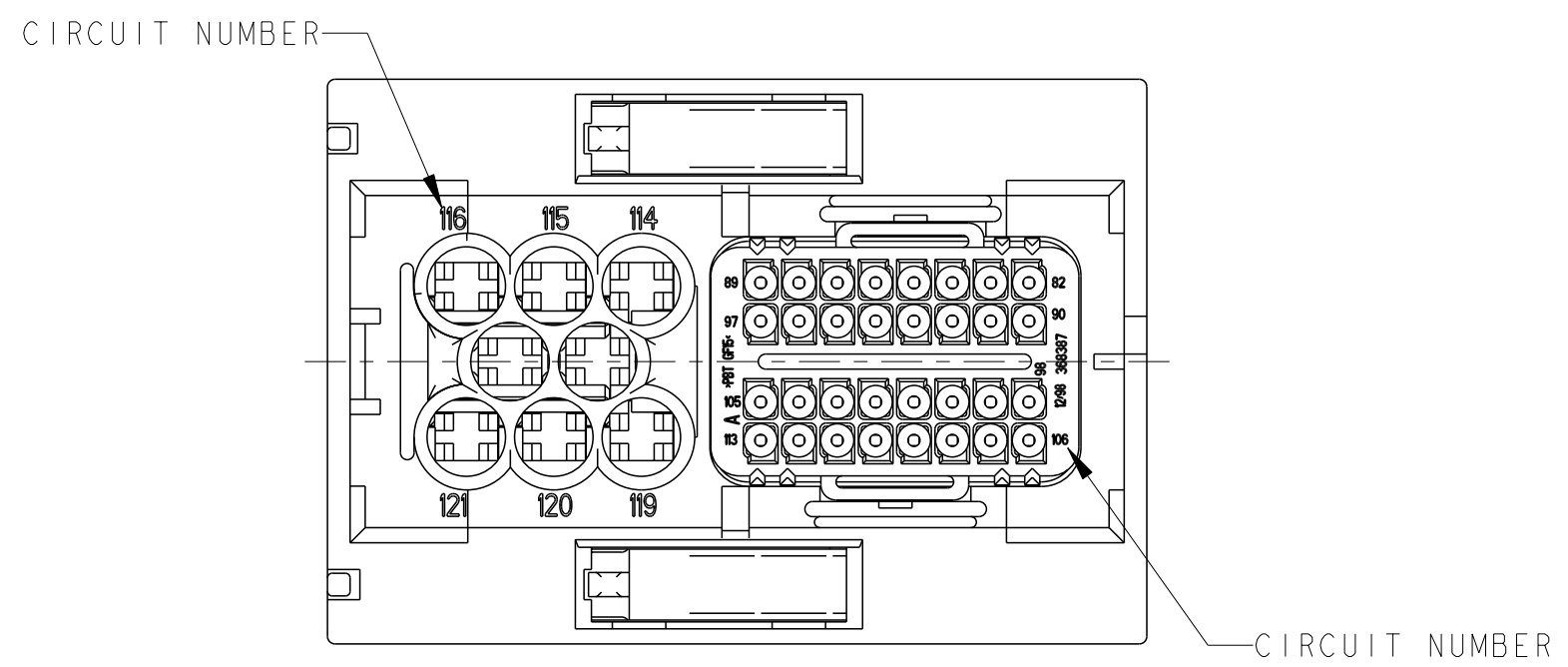
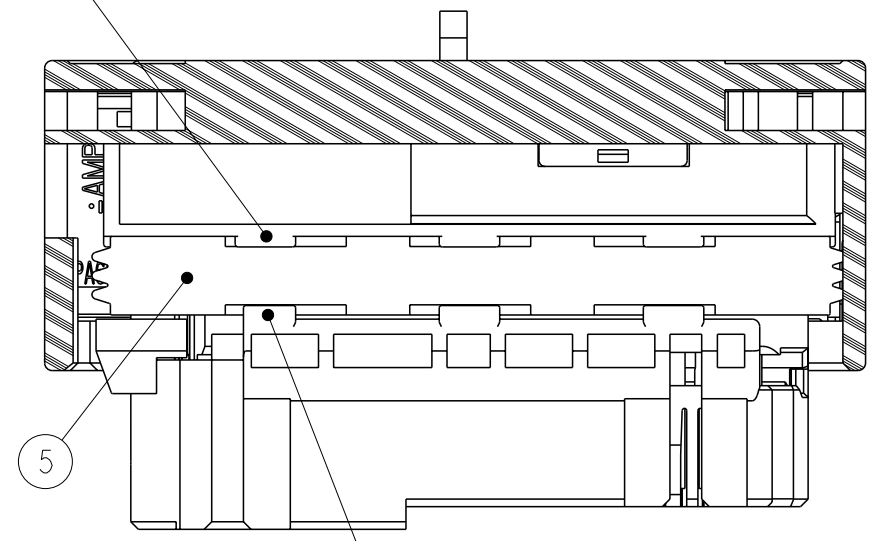


THIS DRAWING IS UNPUBLISHED. RELEASED FOR PUBLICATION 20  
 © COPYRIGHT 20 ALL RIGHTS RESERVED.

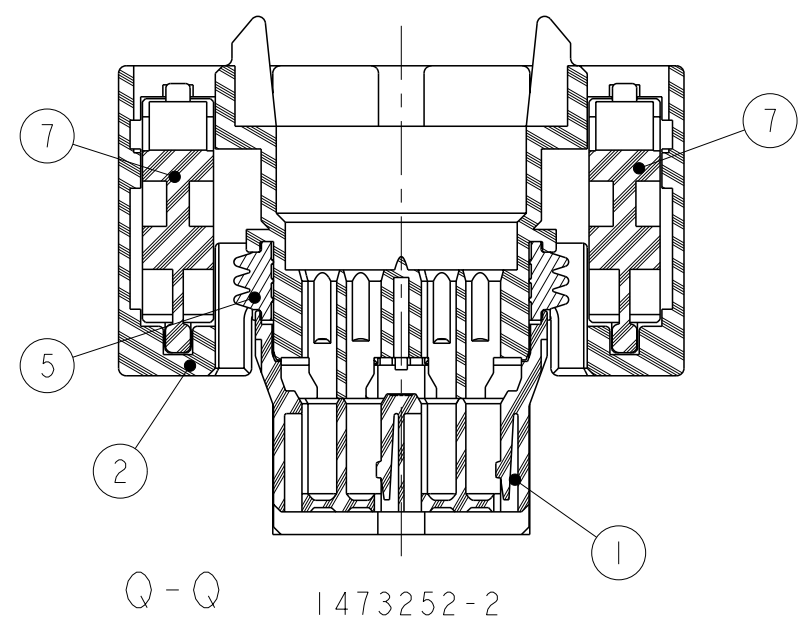
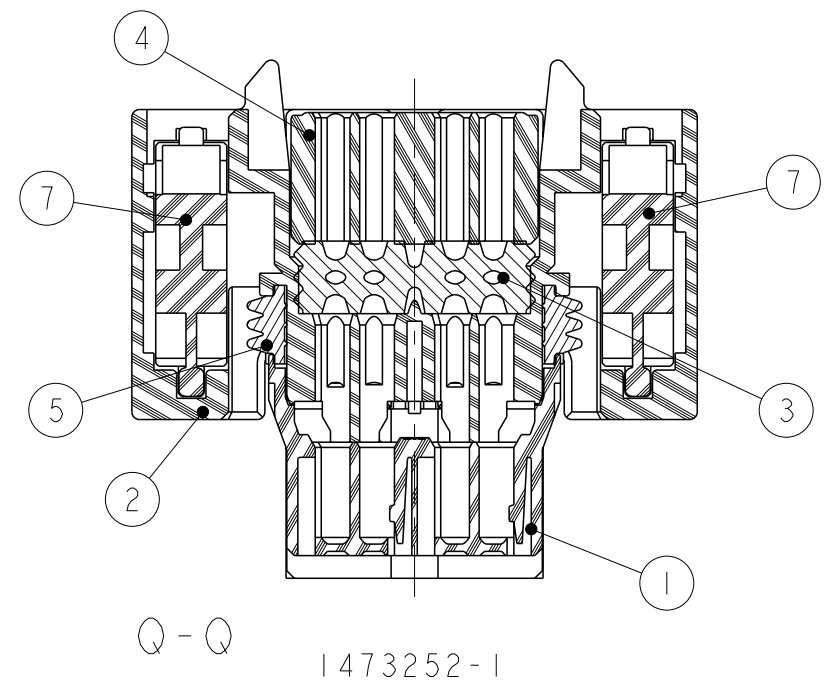
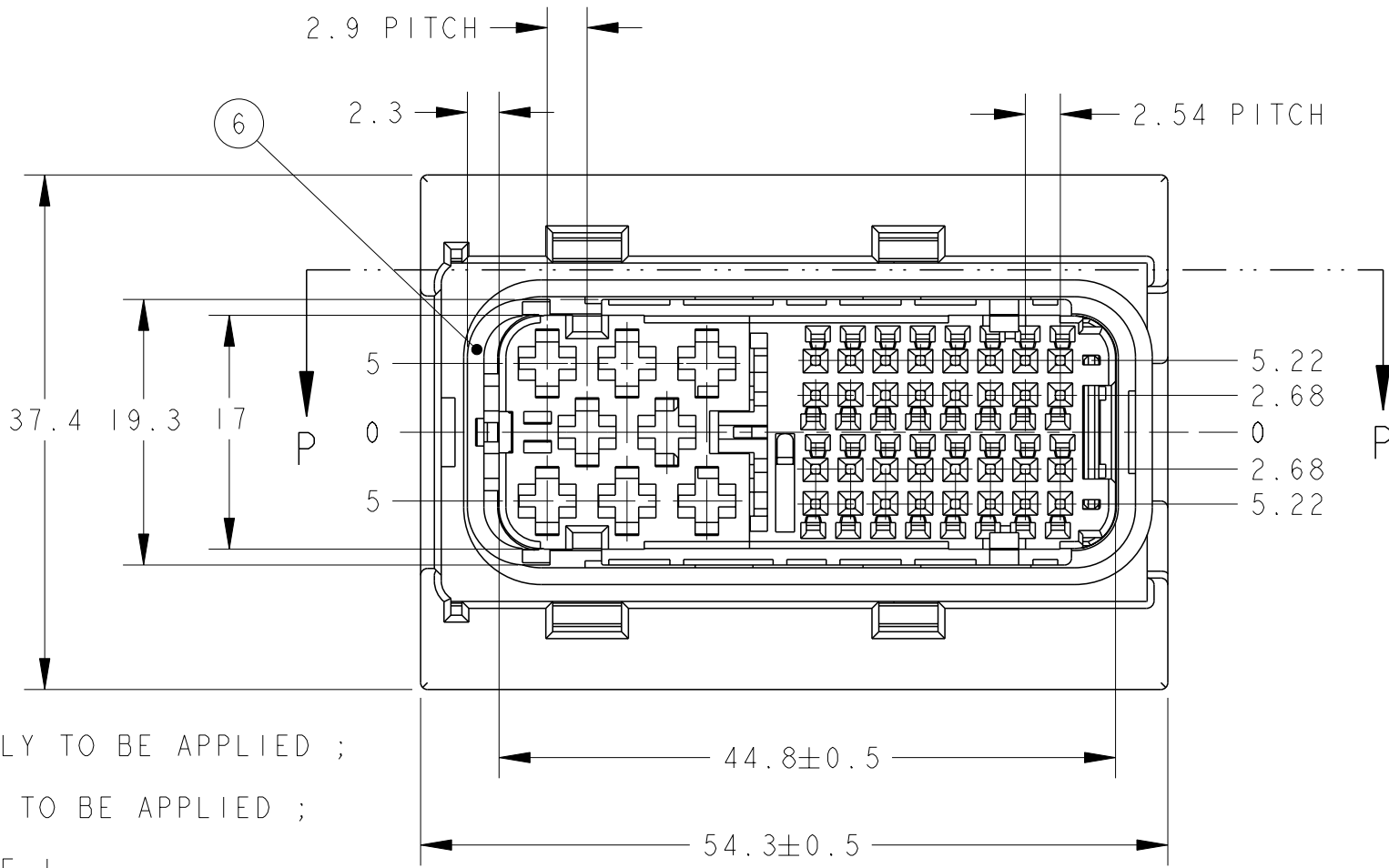
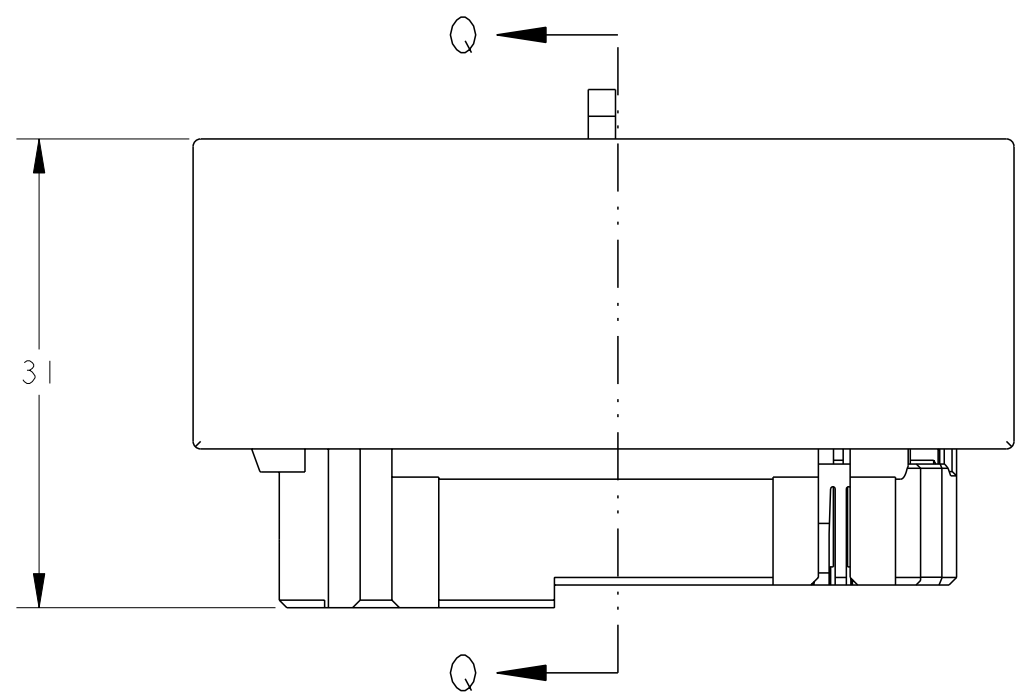
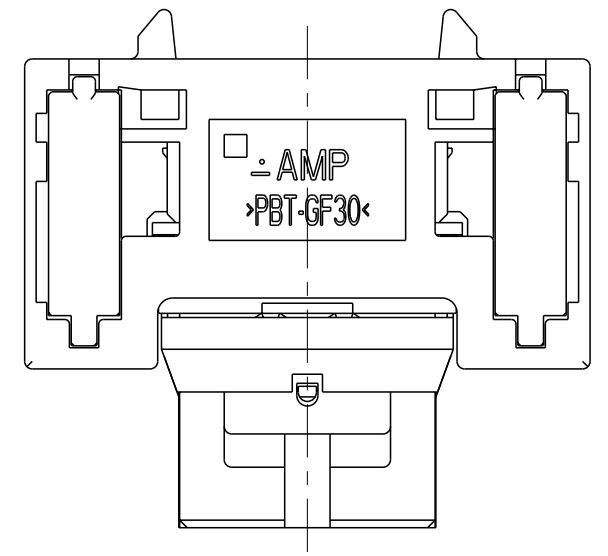
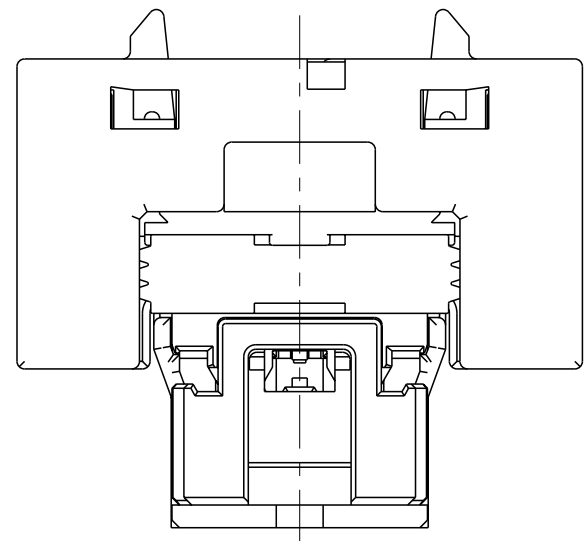
LOC		RST		REVISIONS			
P	LTR	DESCRIPTION	DATE	DWN	APVD		
A2		REVISED PER ECO-11-005140	09APR2011	RK	HMR		
A3		REVISED ECR-18-012136	31JUL2018	TS	HY		
A4		REVISED ECR-21-003932	19MAY2021	DM	RK		



BOSS OF MAIN CAVITY BLOCK. IT HOLD A PERIPHERAL SEAL. (8PLC)



BOSS OF FRONT CAVITY BLOCK. IT HOLD A PERIPHERAL SEAL. (6PLC)



- PART NUMBER OF LEVER ASSEMBLY TO BE APPLIED ; P/N 1473255-1
- PART NUMBER OF MQS RETAINER TO BE APPLIED ; P/N 368388-1
- APPLIED TERMINAL ; SEE TABLE-1
- PART NUMBER OF CAP HOUSING TO BE MATED ; P/N 1241434-1, 1746979-1
- INSTRUCTION SHEET NO ; 411-78008

- 適応レバーアセンブリ型番は、P/N 1473255-1
- 適応MQSリテーナ型番は、P/N 368388-1
- 適応端子はTABLE-1参照
- 嵌合相手型番は、P/N 1241434-1, 1746979-1
- 取扱説明書 NO ; 411-78008

TABLE-1

CONTACT	MQS		JPT		
PART NUMBER	968220-1	968221-1	964282-2	964286-2	964273-2
WIRE SIZE (mm <sup>2</sup> )	0.5	0.75	0.2~0.5	0.5~1.0	>1.0~2.5

2	2	PA66	SLIDER	BLACK	7
1	1	PBT	JPT RETAINER	YELLOW	6
1	1	SILICONE	PERIPHERAL SEAL	ORANGE	5
-	1	PBT	SEAL RETAINER	BLACK	4
-	1	SILICONE	32POS FAMILY SEAL	ORANGE	3
1	1	PBT	MAIN CAVITY BLOCK	BLACK	2
1	1	PA66	FRONT CAVITY BLOCK	BLACK	1
-2	-1	MATERIAL	PART NAME	FINISH/COLOR	NO

THIS DRAWING IS A CONTROLLED DOCUMENT.

DWN: Y. KAWAHARA 10OCT01  
 CHK: N. SAI 10OCT01  
 APVD: K. SHIMIZU 10OCT01

PRODUCT SPEC: 108-5793  
 APPLICATION SPEC: 114-18021, 114-18050

WEIGHT: 32.2g

MATERIAL: SEE TABLE  
 FINISH: SEE TABLE

NAME: PLUG HOUSING ASSY  
 SEALD 40POS. PLUG HSG MQS CLEAN BODY/JPT

SIZE: A2  
 CAGE CODE: 00779  
 DRAWING NO: C-1473252

RESTRICTED TO: A4

SCALE: 2:1  
 SHEET: 1 OF 1

Printed on 19 May 2022 14:52 (from FJ024691)