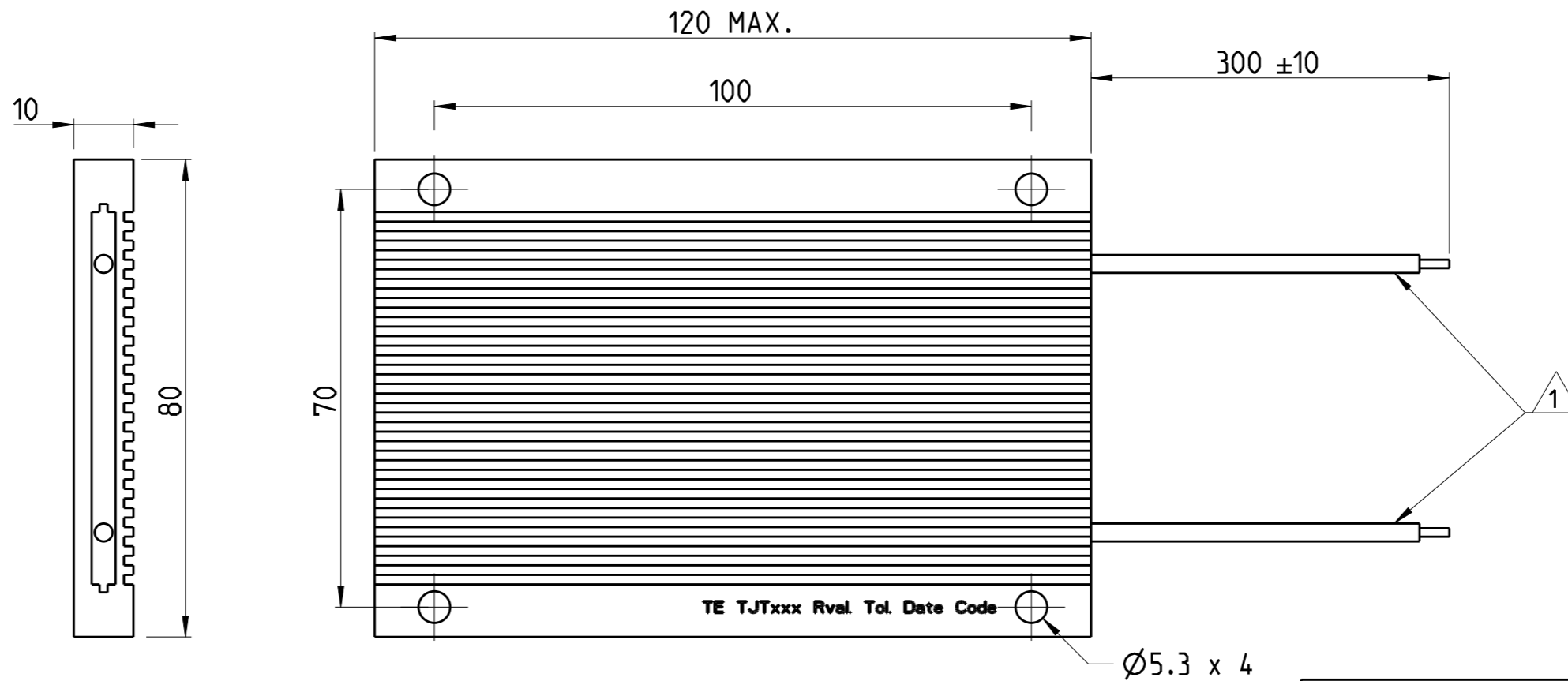


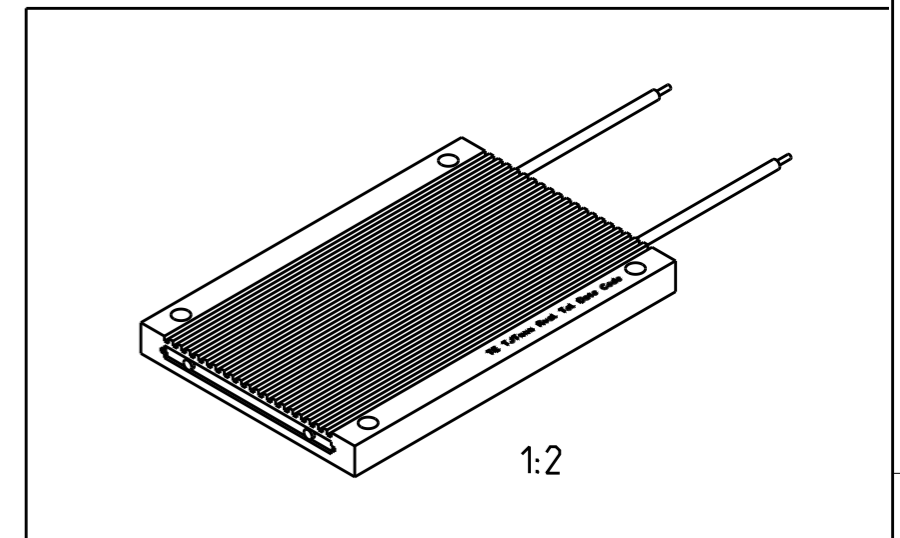
| P | LTR | DESCRIPTION | DATE | DWN | APVD |
|---|-----|-----------------|-----------|-----|------|
| | BA | INITIAL RELEASE | 18SEP2019 | SR | AP |
| | | | | | |
| | | | | | |



FOR FURTHER INFORMATION SEE DATA SHEET OF TJT SERIES ALUMINIUM HOUSED POWER RESISTORS

NOTE:

1 FLYING LEADS UL APPROVED PTFE (19/0.29 mm - 16AWG UL1330 CABLE- WHITE COLOR)



| | | | | | | | | | | | | | | | | |
|--|---|--------------------------------|--|-------------------------|---|-------|---|-------|---|-------|---|--------|---|-------------|--------------------|--|
| THIS DRAWING IS A CONTROLLED DOCUMENT. | | DWN SUPREETH R 18SEP2019 | | | | | | | | | | | | | | |
| | | CHK A. PILE 18SEP2019 | | | | | | | | | | | | | | |
| | | APVD A. PILE 18SEP2019 | NAME ALUMINIUM HOUSED POWER RESISTORS - TYPE TJT150 SERIES | | | | | | | | | | | | | |
| DIMENSIONS: mm | | PRODUCT SPEC - | SIZE A3 | | | | | | | | | | | | | |
| TOLERANCES UNLESS OTHERWISE SPECIFIED: | | APPLICATION SPEC - | CAGE CODE 00779 | DRAWING NO C-2176247 | | | | | | | | | | | | |
| <table border="1"> <tr> <td>0 PLC</td> <td>±</td> </tr> <tr> <td>1 PLC</td> <td>±</td> </tr> <tr> <td>2 PLC</td> <td>±</td> </tr> <tr> <td>3 PLC</td> <td>±</td> </tr> <tr> <td>4 PLC</td> <td>±</td> </tr> <tr> <td>ANGLES</td> <td>±</td> </tr> </table> | | 0 PLC | ± | 1 PLC | ± | 2 PLC | ± | 3 PLC | ± | 4 PLC | ± | ANGLES | ± | WEIGHT - | RESTRICTED TO - | |
| 0 PLC | ± | | | | | | | | | | | | | | | |
| 1 PLC | ± | | | | | | | | | | | | | | | |
| 2 PLC | ± | | | | | | | | | | | | | | | |
| 3 PLC | ± | | | | | | | | | | | | | | | |
| 4 PLC | ± | | | | | | | | | | | | | | | |
| ANGLES | ± | | | | | | | | | | | | | | | |
| MATERIAL - | | FINISH - | SCALE 1:1 | | | | | | | | | | | | | |
| | | CUSTOMER DRAWING | | SHEET 1 OF 1 | | | | | | | | | | | | |
| | | | | REV BA | | | | | | | | | | | | |