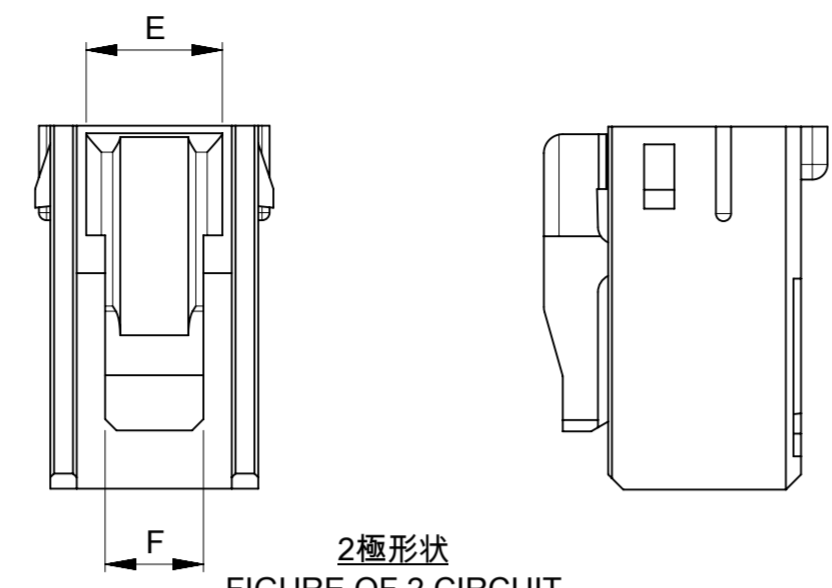
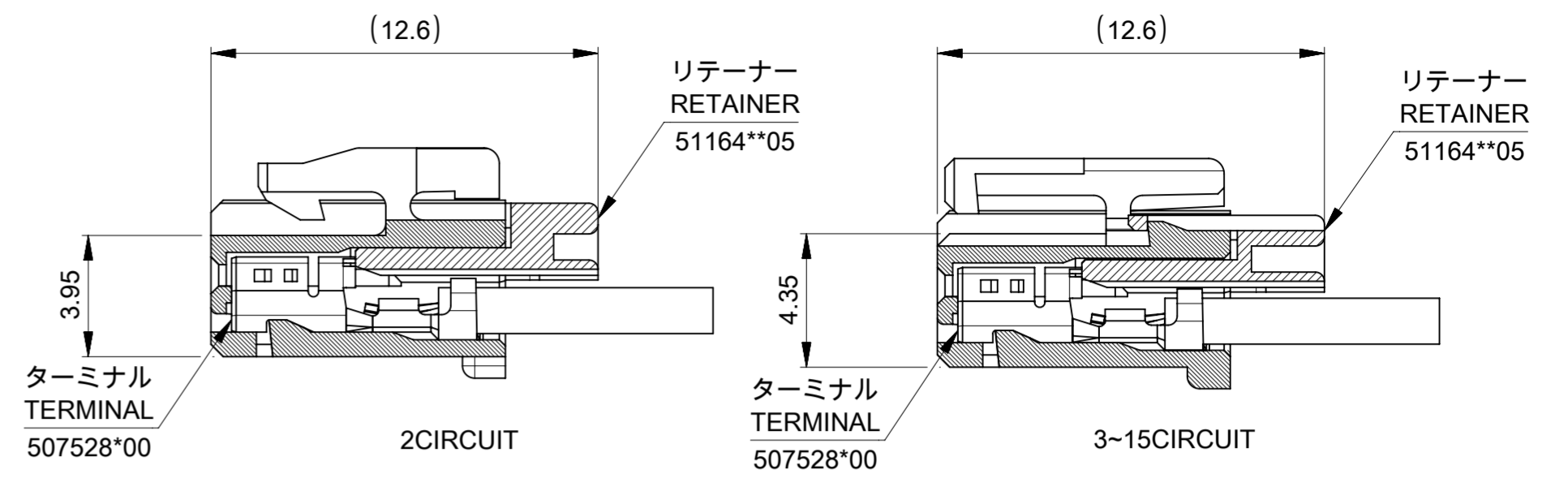


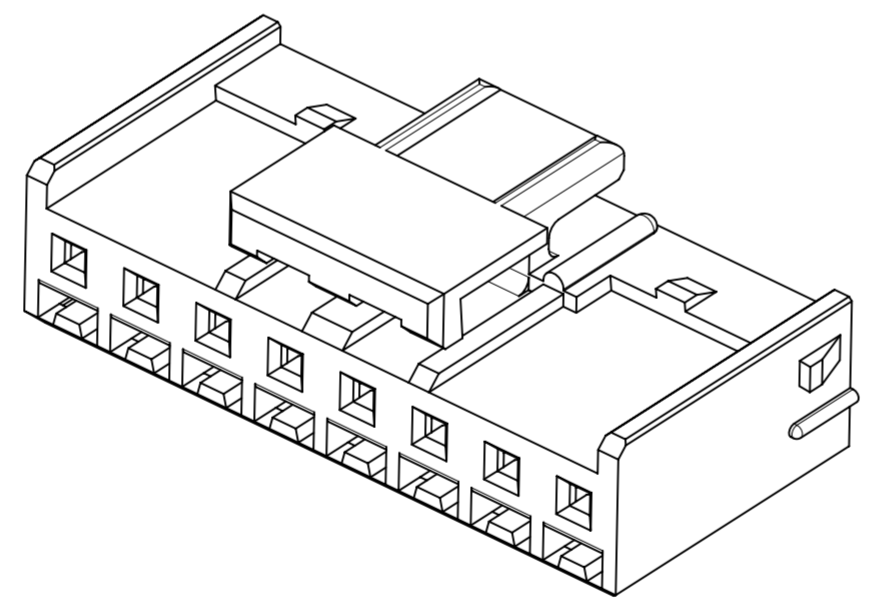
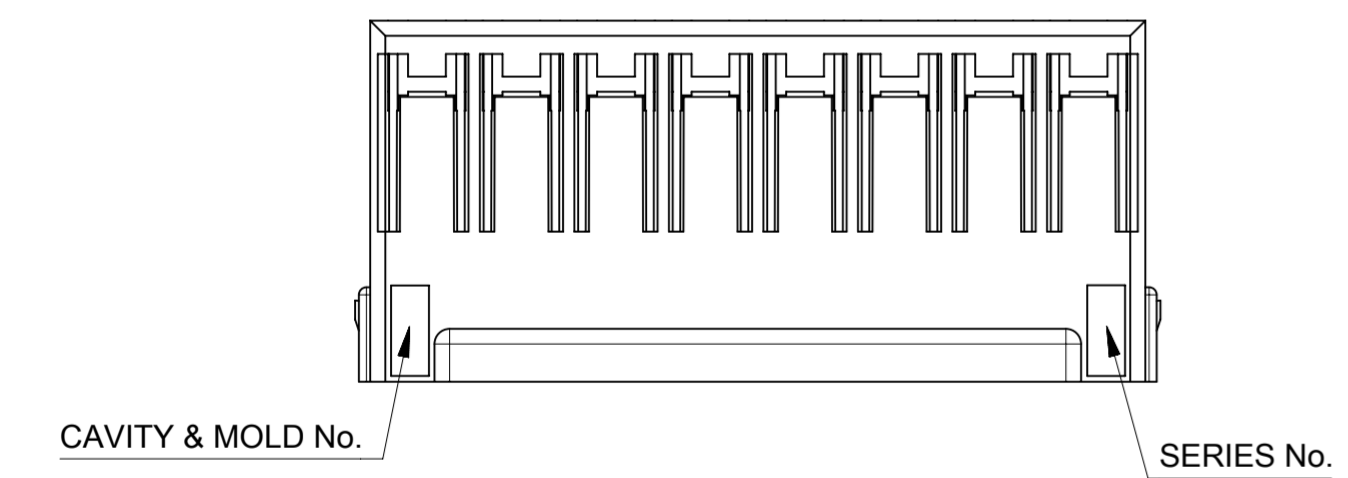
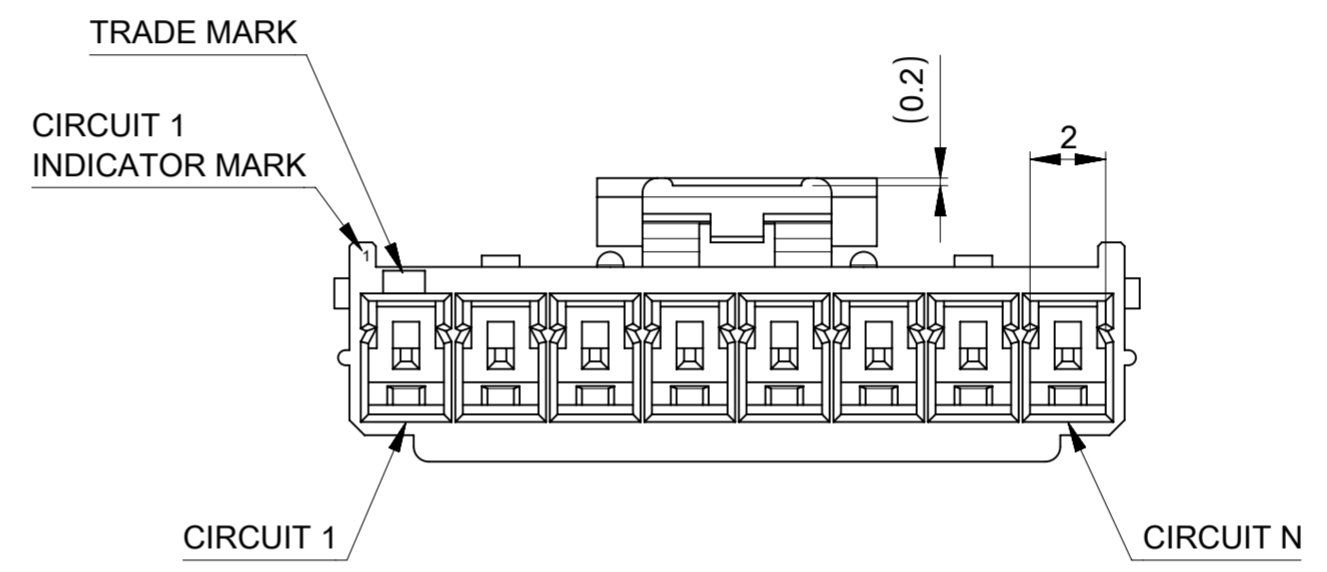
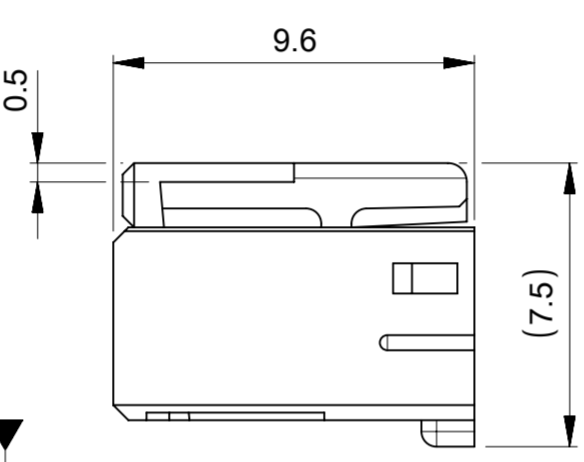
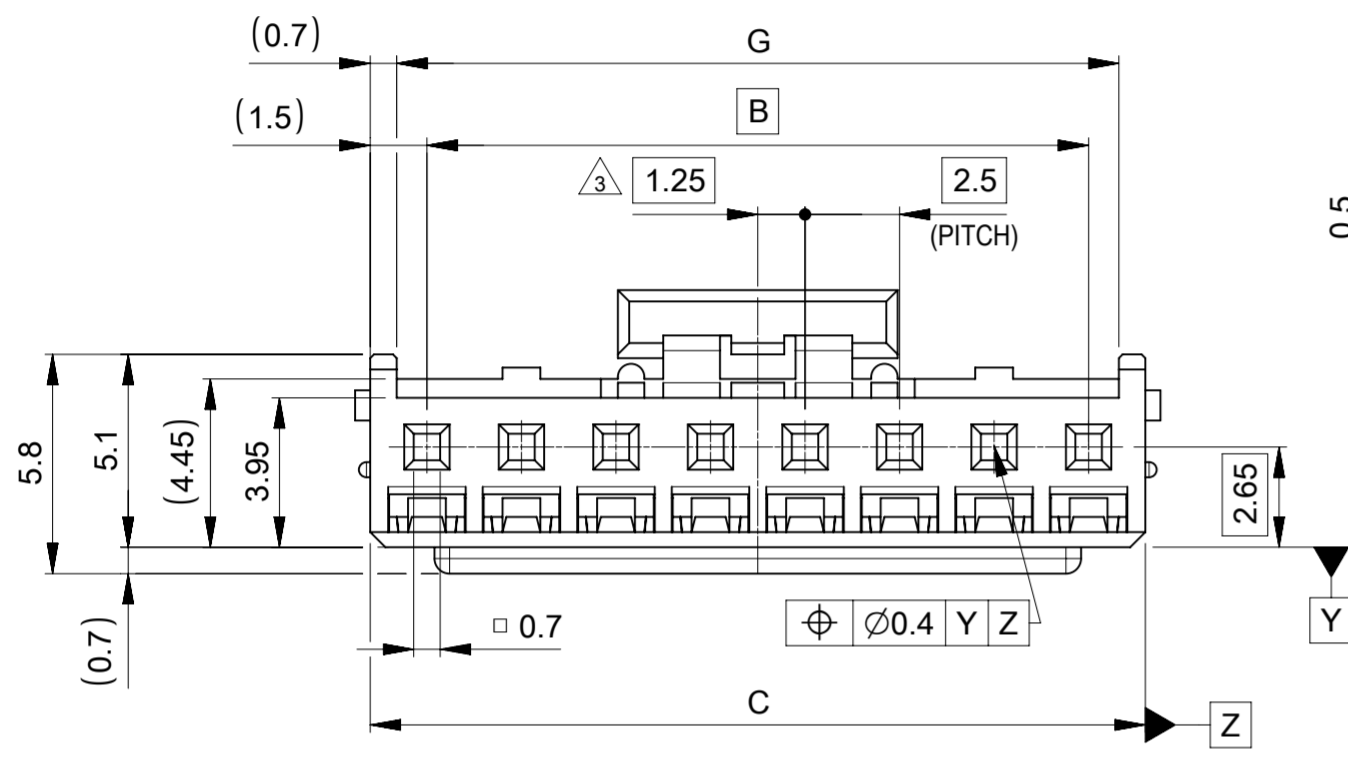
2極ロック形状
2CIRCUIT LOCK FORM



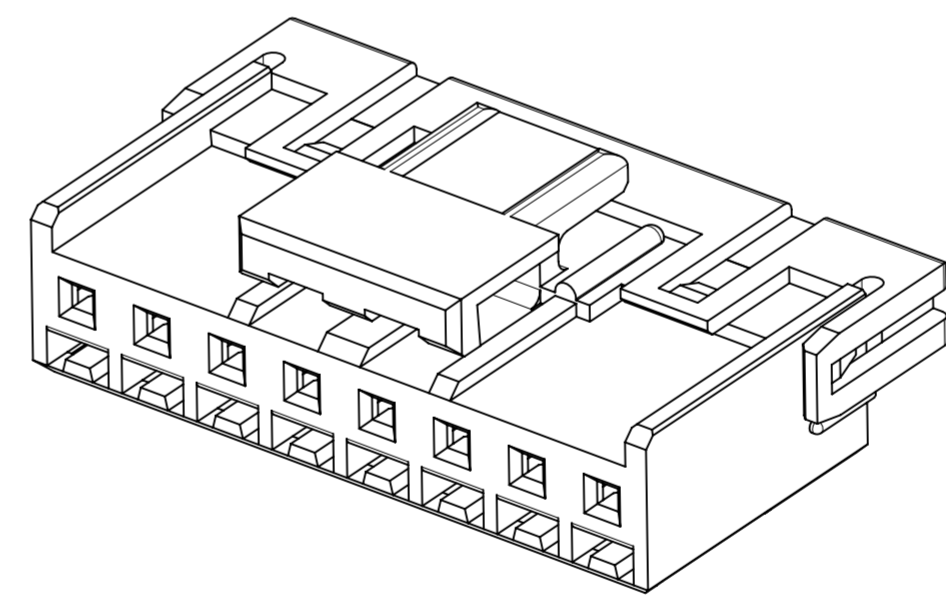
2極形状
FIGURE OF 2 CIRCUIT



ターミナル及びリテーナー装着状態図
TERMINAL AND RETAINER ASSEMBLY DRAWING



リテーナー未装着状態図
ASSEMBLY DRAWING



リテーナー装着状態図
RETAINER ASSEMBLY DRAWING

							HOUSING COLOR		
							NATURAL(WHITE)		
36.6	7.4	5	12.5	38	35	38.8	511631500	15	
34.1	7.4	5	12.5	35.5	32.5	36.3	511631400	14	
31.6	7.4	5	12.5	33	30	33.8	511631300	13	
29.1	7.4	5	12.5	30.5	27.5	31.3	511631200	12	
26.6	7.4	5	12.5	28	25	28.8	511631100	11	
24.1	7.4	5	12.5	25.5	22.5	26.3	511631000	10	
21.6	7.4	5	12.5	23	20	23.8	511630900	9	
19.1	7.4	5	12.5	20.5	17.5	21.3	511630800	8	
16.6	7.4	5	-	18	15	18.8	511630700	7	
14.1	7.4	5	-	15.5	12.5	16.3	511630600	6	
11.6	7.4	5	-	13	10	13.8	511630500	5	
9.1	7.4	5	-	10.5	7.5	11.3	511630400	4	
6.6	5	3	-	8	5	8.8	511630300	3	
4.1	2.6	3.6	-	5.5	2.5	6.3	511630200	2	
G	F	E	D	C	B	(A)	発注番号 ORDER No.	極数 CIRCUIT SIZE	

NOTE
 1. 材料：TABLE1参照
 MATERIAL:SEE TABLE1
 2. 適合ハウジング,嵌合相手,関連ドキュメントについてはSHEET 2 を御参照下さい。
 PLEASE REFER TO SHEET 2 FOR APPLICABLE HOUSING, MATING PARTNER
 AND RELATED DOCUMENTS.
 3. 偶数極に適用。
 APPLY FOR EVEN CIRCUIT.
 4. 本製品のプラスチック部に黒点等が確認される場合や、色合いが異なる場合が御座いますが、
 製品性能に影響は御座いません。
 THERE IS NO INFLUENCE IN THE PRODUCT PERFORMANCE THOUGH THE BLACK SPOT ETC.
 MIGHT BE CONFIRMED TO THE PLAXTIC PART OF THIS PRODUCT AND THE SHADE MIGHT BE DIFFERENT.

TABLE1

部品 PART	材質 MATERIAL
ハウジング HOUSING	ポリエステル(PBT):ガラス非含有,UL94V-0,色:ナチュラル(白) POLYESTER(PBT):GLASS UNFILLED,UL94V-0,COLOR:NATURAL(WHITE)

DOCUMENT STATUS	P1	RELEASE DATE	2020/09/28	04:28:58
-----------------	----	--------------	------------	----------

THIS DRAWING CONTAINS INFORMATION THAT IS PROPRIETARY TO MOLEX ELECTRONIC TECHNOLOGIES, LLC AND SHOULD NOT BE USED WITHOUT WRITTEN PERMISSION

DIMENSION UNITS	SCALE	CURRENT REV DESC: RELEASED	
mm	NTS		
GENERAL TOLERANCES (UNLESS SPECIFIED)			
ANGULAR TOL	± 3.0°	EC NO: 646034	
4 PLACES	± 0.2	DRWN: RWATANABE01	2019/04/22
3 PLACES	± 0.2	CHK'D: AIDA	2020/09/28
2 PLACES	± 0.2	APPR: SAKIYAMA	2020/09/28
1 PLACE	± 0.2	INITIAL REVISION:	
0 PLACES	± 0.2	DRWN: RWATANABE01	2019/04/22
DRAFT WHERE APPLICABLE MUST REMAIN WITHIN DIMENSIONS		APPR: SAKIYAMA	2020/09/28
THIRD ANGLE PROJECTION		DRAWING	SERIES
		A2-SIZE	51163
		MATERIAL NUMBER	CUSTOMER
		511630000-SD	GENERAL
		DOC TYPE	DOC PART
		PSD	000
		REVISION	A
		SHEET NUMBER	
		1 OF 2	

molex
 MINI-LOCK 2.5
 SINGLE ROW RECEPTACLE HOUSING WITH
 RETAINER
 PRODUCT CUSTOMER DRAWING

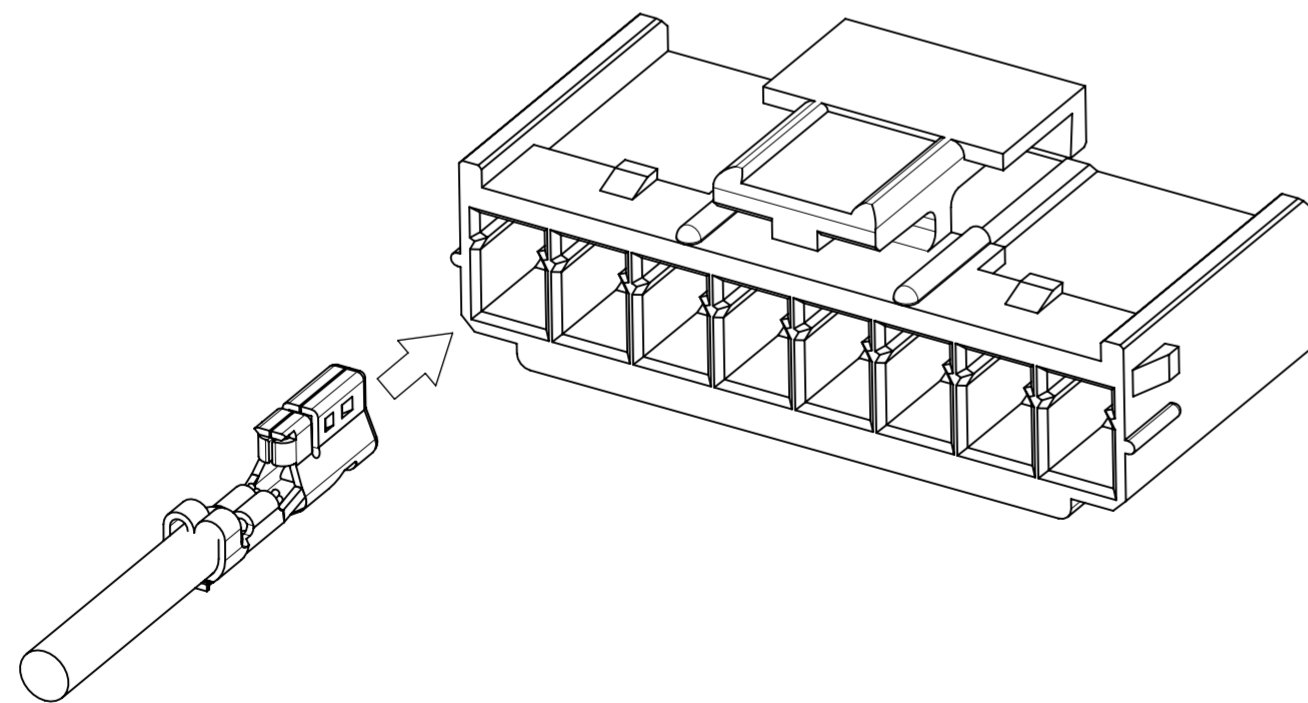
△ 適合製品及び各種仕様書
 APPLICABLE PRODUCT AND VARIOUS SPECIFICATIONS

梱包仕様書 PACKAGING SPECIFICATION	PART NUMBER	SPECIFICATION NUMBER
	51163**0*	SPK-51163-001

適合端子 APPLICABLE TERMINAL	PART NUMBER	PLATING TYPE	WIRE SIZE(AWG)
	507528200	TIN	#20-#22
	507528400	TIN	#24-#26

適合リテーナー APPLICABLE RETAINER	51164		
シリーズ番号 SERIES No.			
適合嵌合相手 MATE WITH	THROUGH HOLE		
	VERTICAL	VERTICAL (FOR POTTING)	RIGHT ANGLE
	TIN PLATING		TIN PLATING
シリーズ番号 SERIES No.	53375	53517	53426
製品仕様書 PRODUCT SPECIFICATION	511630000-PS PS 000		
取扱説明書 APPLICATION SPECIFICATION	2166940000-AS PS 000		

製品嵌合図は各"適合嵌合相手"図面参照のこと
 MATING VIEW : REFER TO EACH "MATE WITH" PART DRAWING.

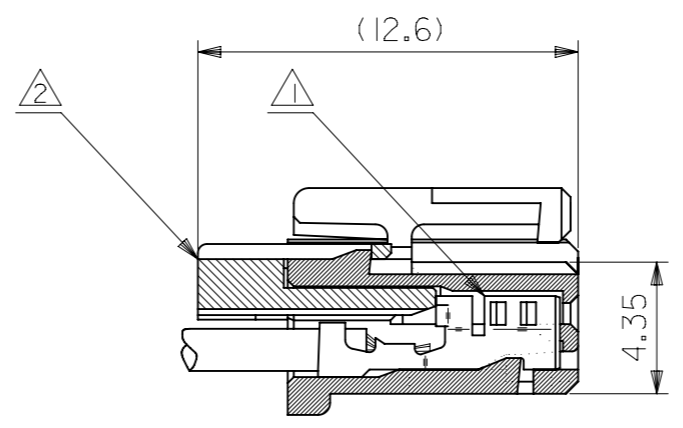
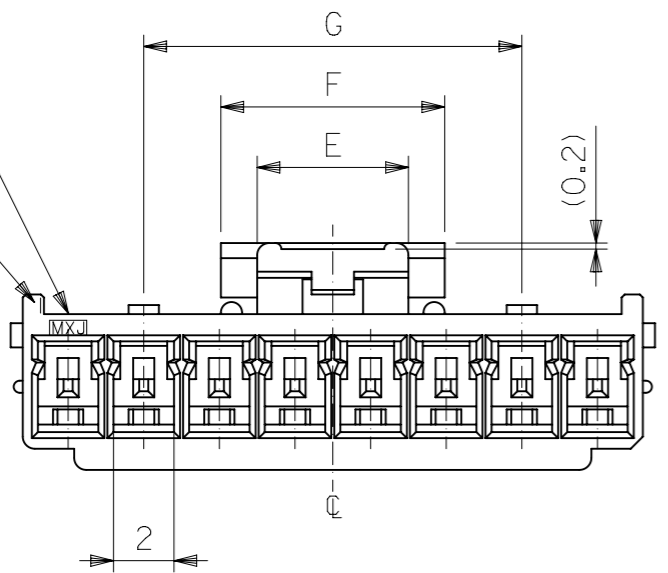


圧着ケーブル挿入方向
 HARNESS ASSY INSERTION DIRECTION

THIS DRAWING CONTAINS INFORMATION THAT IS PROPRIETARY TO MOLEX ELECTRONIC TECHNOLOGIES, LLC AND SHOULD NOT BE USED WITHOUT WRITTEN PERMISSION									
DIMENSION UNITS	SCALE	CURRENT REV DESC: RELEASED				molex			
mm	NTS								
GENERAL TOLERANCES (UNLESS SPECIFIED)						MINI-LOCK 2.5 SINGLE ROW RECEPTACLE HOUSING WITH RETAINER			
ANGULAR TOL	± 3.0°	EC NO: 646034				PRODUCT CUSTOMER DRAWING			
4 PLACES	± 0.2	DRWN: RWATANABE01		2019/04/22		DOCUMENT NUMBER 511630000-SD			
3 PLACES	± 0.2	CHK'D: AIDA		2020/09/28					
2 PLACES	± 0.2	APPR: SAKIYAMA		2020/09/28		DOC TYPE		DOC PART	
1 PLACE	± 0.2	INITIAL REVISION:				PSD		000	
0 PLACES	± 0.2	DRWN: RWATANABE01		2019/04/22		REVISION		A	
DRAFT WHERE APPLICABLE MUST REMAIN WITHIN DIMENSIONS		THIRD ANGLE PROJECTION		DRAWING		SERIES		SHEET NUMBER	
		A2-SIZE		51163		GENERAL		2 OF 2	

トレードマーク
TRADE MARK

回路番号 1
CIRCUIT NO.1

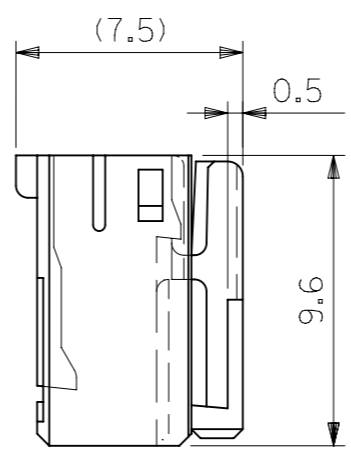
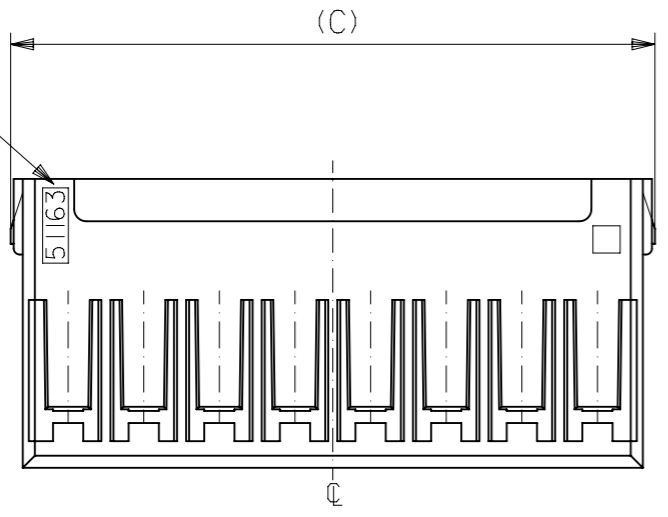


ターミナル及びリテーナー装着状態図
TERMINAL AND RETAINER ASSEMBLY DRAWING

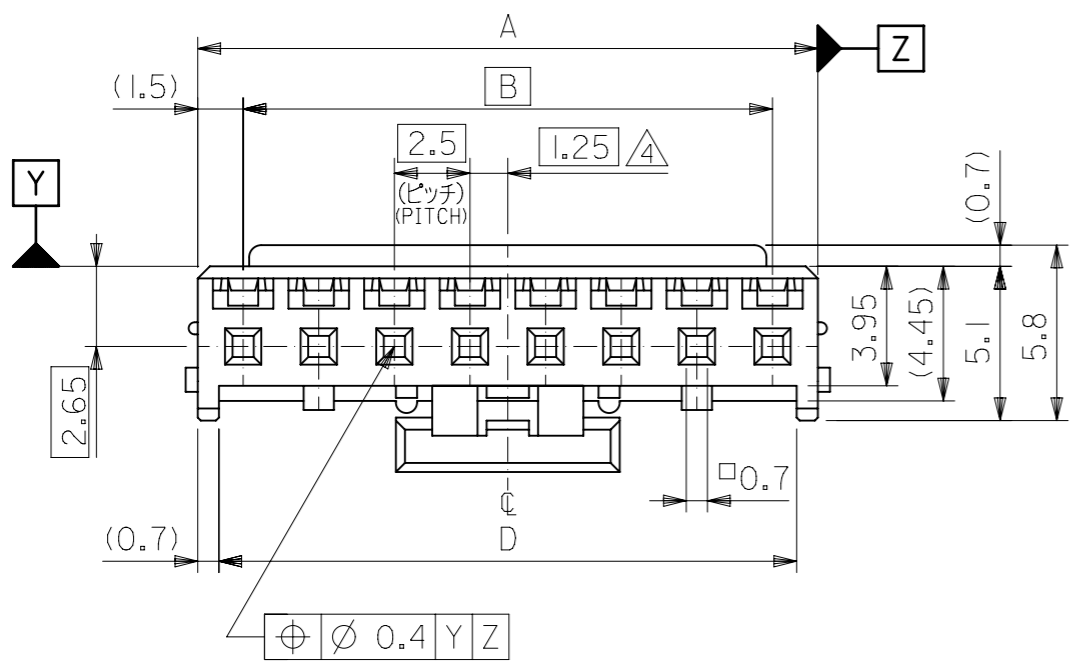
注記 NOTES

- △1 適合ターミナル : 50752-8*00
APPLICABLE TERMINAL : 50752-8*00
- △2 適合リテーナー : 51164-**05
APPLICABLE RETAINER : 51164-**05
- 3. 嵌合相手 : 53375,53376,53388,53389,53426 シリーズ
MATE WITH : 53375,53376,53388,53389,53426 SERIES
- △4 偶数極の製品に適用。
APPLY EVEN CIRCUIT PRODUCTS.

製品番号
ENG. NO.



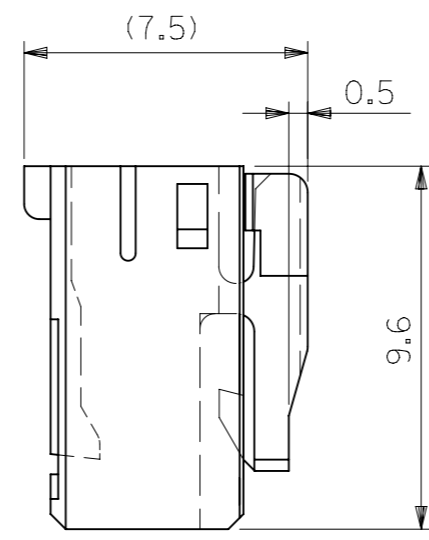
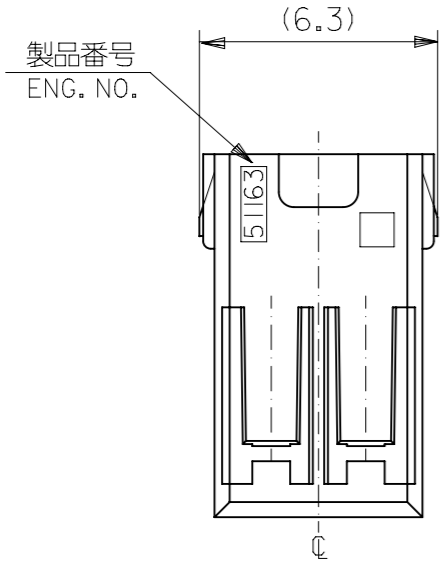
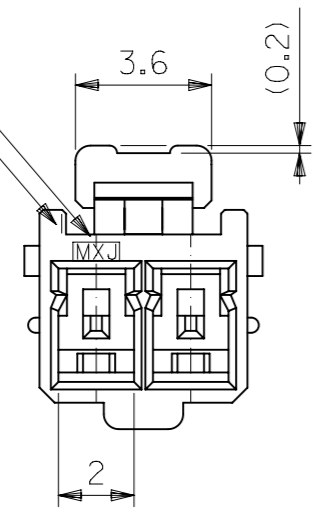
3-15 極に適用
FOR 3-15 CKTS.



							白 NATURAL	COLOR
12.5	7.4	5	36.6	38.8	35	38	51163 - 1500	15
12.5	↑	↑	34.1	36.3	32.5	35.5	↑ - 1400	14
12.5			31.6	33.8	30	33	↑ - 1300	13
12.5			29.1	31.3	27.5	30.5	↑ - 1200	12
12.5			26.6	28.8	25	28	↑ - 1100	11
12.5			24.1	26.3	22.5	25.5	↑ - 1000	10
12.5			21.6	23.8	20	23	↑ - 0900	9
12.5			19.1	21.3	17.5	20.5	↑ - 0800	8
			16.6	18.8	15	18	↑ - 0700	7
			14.1	16.3	12.5	15.5	↑ - 0600	6
			11.6	13.8	10	13	↑ - 0500	5
	7.4	5	9.1	11.3	7.5	10.5	↑ - 0400	4
	5	3	6.6	8.8	5	8	51163 - 0300	3
G	F	E	D	(C)	B	A	MATERIAL NO.	NO. OF CKT

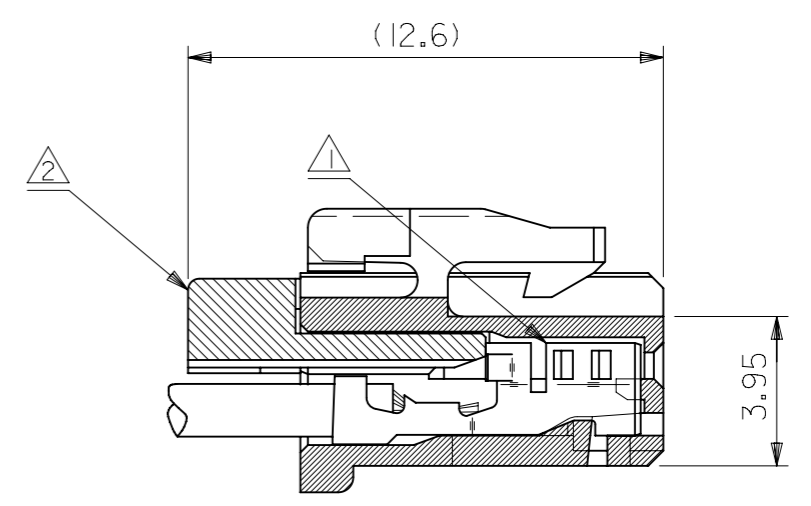
GENERAL TOLERANCES (UNLESS SPECIFIED) 10 UNDER ±0.2 10 OVER 30 UNDER ±0.25 30 OVER ±0.3		THIS DRAWING CONTAINS INFORMATION THAT IS PROPRIETARY TO MOLEX ELECTRONIC TECHNOLOGIES, LLC AND SHOULD NOT BE USED WITHOUT WRITTEN PERMISSION DIMENSION UNITS: mm SCALE: 4:1 CURRENT REV DESC: OBSOLETE PART NO		molex 2.5 WIRE TO BORAD CONN. HOUSING (POSITIVE LOCK) WITH RETAINER	
ANGULAR ±3° DRAFT WHERE APPLICABLE MUST REMAIN WITHIN DIMENSIONS		EC NO: 629832 DRWN: VLOKESHA 2019/12/17 CHK'D: GGA 2020/01/22 APPR: GGA 2020/01/22			
MATERIAL: PBTP, UL94V-0 SEE CHART		INITIAL REVISION: DRWN: J.SASAMO 2004/08/31 APPR: N.UKITA 2004/08/31		PRODUCT CUSTOMER DRAWING DOCUMENT NUMBER: SD-51163-001 DOC TYPE: PSD DOC PART: 001 REVISION: A1	
THIRD ANGLE PROJECTION		DRAWING: A3-SIZE SERIES: 51163		MATERIAL NUMBER: SEE TABLE CUSTOMER: GENERAL MARKET SHEET NUMBER: 1 OF 2	

トレードマーク
TRADE MARK
回路番号 1
CIRCUIT NO.1

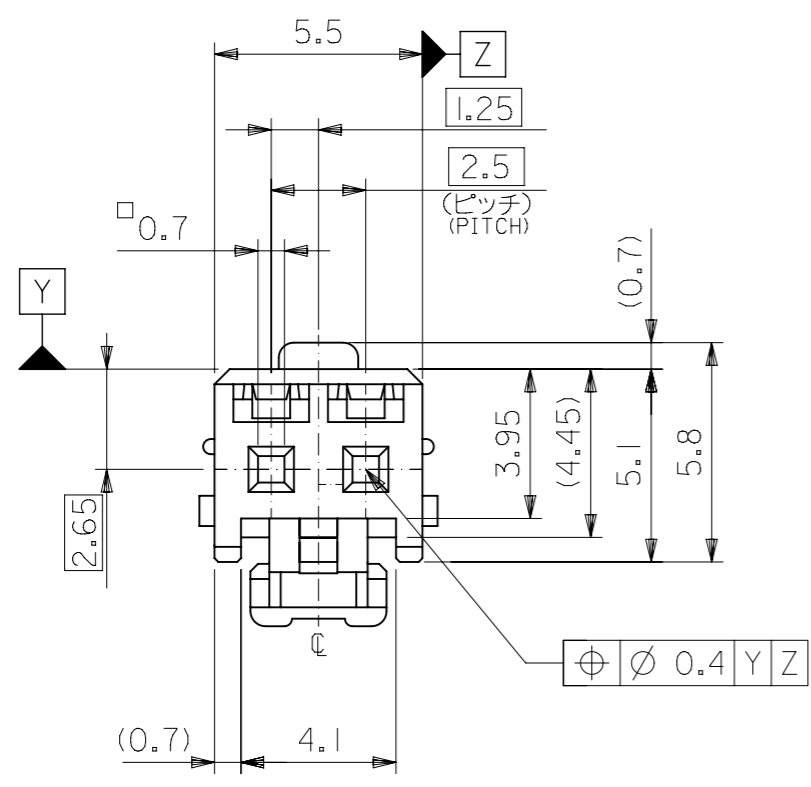


注記 NOTES

- ① 適合ターミナル : 50752-8*00
APPLICABLE TERMINAL : 50752-8*00
- ② 適合リテーナー : 51164-***05
APPLICABLE RETAINER : 51164-***05
- 3. 嵌合相手 : 53375,53426 シリーズ
MATE WITH : 53375,53426 SERIES



ターミナル及びリテーナー装着状態図
TERMINAL AND RETAINER ASSEMBLY DRAWING



2極に適用
FOR 2 CKTS.

白 NATURAL	51163-0200	2
COLOR MATERIAL NO.	MATERIAL NO.	NO. OF CKT.

GENERAL TOLERANCES (UNLESS SPECIFIED)		THIS DRAWING CONTAINS INFORMATION THAT IS PROPRIETARY TO MOLEX ELECTRONIC TECHNOLOGIES, LLC AND SHOULD NOT BE USED WITHOUT WRITTEN PERMISSION	
10 UNDER	±0.2	DIMENSION UNITS	SCALE
10 OVER 30 UNDER	±0.25	mm	5:1
30 OVER	±0.3	GENERAL TOLERANCES (UNLESS SPECIFIED)	
ANGULAR ±3°		4 PLACES	± 0.2
DRAFT WHERE APPLICABLE MUST REMAIN WITHIN DIMENSIONS		3 PLACES	± 0.25
MATERIAL PBTP, UL94V-0 SEE CHART		2 PLACES	± 0.3
		1 PLACE	±
		0 PLACES	±
		ANGULAR TOL	± 3.0°
		DRAFT WHERE APPLICABLE MUST REMAIN WITHIN DIMENSIONS	
		THIRD ANGLE PROJECTION	
		DRAWING	
		SERIES	
		MATERIAL NUMBER	
		CUSTOMER	
		SHEET NUMBER	

molex

2.5 WIRE TO BORAD CONN. HOUSING (POSITIVE LOCK) WITH RETAINER

PRODUCT CUSTOMER DRAWING

DOCUMENT NUMBER: SD-51163-001
DOC TYPE: PSD
DOC PART: 001
REVISION: A1

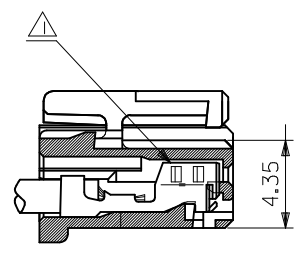
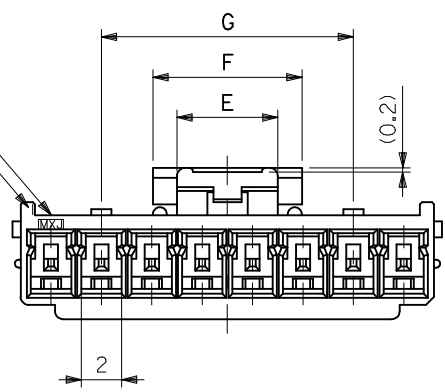
EC NO: 629832
DRWN: VLOKESHA 2019/12/17
CHK'D: GGA 2020/01/22
APPR: GGA 2020/01/22

INITIAL REVISION:
DRWN: J.SASAMO 2004/08/31
APPR: N.UKITA 2004/08/31

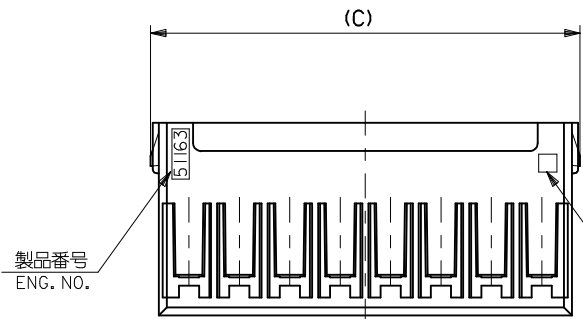
A3-SIZE 51163

SEE TABLE GENERAL MARKET 2 OF 2

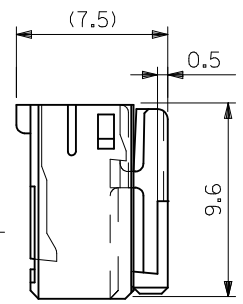
△
トレードマーク
TRADE MARK
回路番号 1
CIRCUIT NO.1



ターミナル装着状態図
TERMINAL ASSEMBLY DRAWING

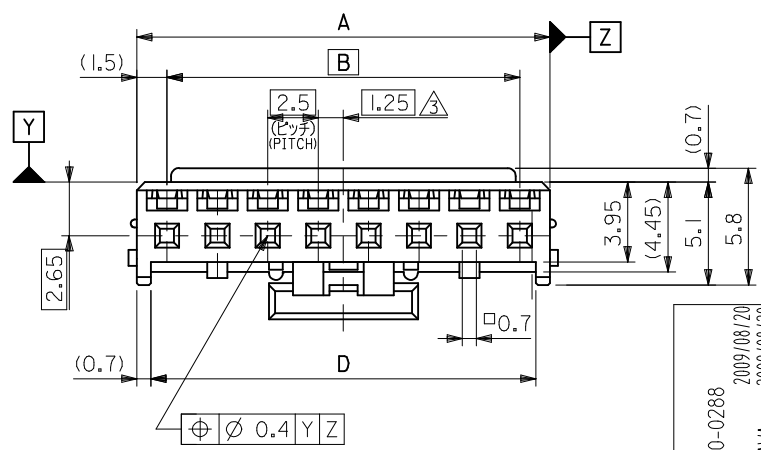


△
キャビティー番号
及び金型番号
CAVITY NO.
AND MODEL NO.



製品番号
ENG. NO.

12.5	7.4	5	36.6	38.8	35	38	51163-158*	15
↑	↑	↑	34.1	36.3	32.5	35.5	↑ -148*	14
			31.6	33.8	30	33	↑ -138*	13
			29.1	31.3	27.5	30.5	↑ -128*	12
			26.6	28.8	25	28	↑ -118*	11
			24.1	26.3	22.5	25.5	↑ -108*	10
↓			21.6	23.8	20	23	↑ -098*	9
12.5			19.1	21.3	17.5	20.5	↑ -088*	8
			16.6	18.8	15	18	↑ -078*	7
			14.1	16.3	12.5	15.5	↑ -068*	6
			11.6	13.8	10	13	↑ -058*	5
	7.4	5	9.1	11.3	7.5	10.5	↑ -048*	4
	5	3	6.6	8.8	5	8	↑ 51163-038*	3
G	F	E	D	(C)	B	A	MATERIAL AND ORDER No. △	CIRCUIT No.



REVISED EC NO: J2010-0288 DRWN: YG010 2009/08/20 CHKD: KASAKAWA 2009/08/20 APPR: NUKITA 2009/08/24	GENERAL TOLERANCES (UNLESS SPECIFIED)		DIMENSION STYLE MM ONLY		SCALE 4:1	DESIGN UNITS METRIC	THIRD ANGLE PROJECTION	
	10 UNDER	±0.2	DRAWN BY K. HARADA	DATE 1997/10/2	TITLE 2.5 W/B CONN HSG (POSITIVE LOCK)			
	10 OVER 30 UNDER	±0.25	CHECKED BY T. ITO	DATE 1997/11/12	MATERIAL NO. 51163-038*			
	30 OVER	±0.3	APPROVED BY M. FUKUSHIMA	DATE 1997/11/12	SHEET NO. 1 OF 2			
ANGULAR ±3 °		DRAFT WHERE APPLICABLE MUST REMAIN WITHIN DIMENSIONS		ENTER PART		MOLEX INCORPORATED DOCUMENT NO. SD-51163-**-00		
THIS DRAWING CONTAINS INFORMATION THAT IS PROPRIETARY TO MOLEX INCORPORATED AND SHOULD NOT BE USED WITHOUT WRITTEN PERMISSION								

注記 NOTES

- ① 適合ターミナル：5035I-8*00
APPLICABLE TERMINAL : 5035I-8*00
- 2. 嵌合相手：53375,53426 シリーズ
MATE WITH : 53375,53426 SERIES
- ③ 偶数極の製品に適用。
APPLY EVEN CIRCUIT PRODUCTS.
- ④ トレードマーク：Mプラス 1 ~ 2 文字のアルファベットにて構成。(例 MXJ)
但し "J" は JAPAN を示す。
FORMED BY M AND 1 ~ 2 MORE LETTER OF ALPHABET (e.g. MXJ)
(TO TRADE MARK), BUT "J" SHOW JAPAN.
- ⑤ キャビティー番号：1桁~2桁の数字
金型番号：アルファベット1文字にて構成。(例, 1A, 10B)
FORMED BY 1 DIGIT TO 2 DIGIT NUMBERS (TO CAVITY
NO.) AND BY 1 LETTER OF ALPHABET (TO MOLD NO.).
(e.g. 1A, 10B)
- ⑥ MATERIAL AND ORDER No.
51163-**00
極数
CIRCUIT SIZE
- 7. 材料:PBT, UL 94V-0
- 8. 色:白 WHITE (NATURAL)



REVISED EC NO: DRWN:Y.GOTO CHKD:K.SAKAWA APPR: C	DESCRIPTION 2009/08/20	GENERAL TOLERANCES (UNLESS SPECIFIED)		DIMENSION STYLE MM ONLY	SCALE 4:1	DESIGN UNITS METRIC	THIRD ANGLE PROJECTION	
		10 UNDER	±0.2	DRAWN BY K. HARADA	DATE 1997/10/2	TITLE 2.5 W/B CONN HSG (POSITIVE LOCK)		
		10 OVER 30 UNDER	±0.25	CHECKED BY T. ITO	DATE 1997/11/12			
		30 OVER	±0.3	APPROVED BY M. FUKUSHIMA	DATE 1997/11/12	MATERIAL NO.	DOCUMENT NO.	SHEET NO.
ANGULAR ±3 °		DRAFT WHERE APPLICABLE MUST REMAIN WITHIN DIMENSIONS		ENTER PART		MOLEX INCORPORATED SD-51163-**00		
				SIZE A3	THIS DRAWING CONTAINS INFORMATION THAT IS PROPRIETARY TO MOLEX INCORPORATED AND SHOULD NOT BE USED WITHOUT WRITTEN PERMISSION			