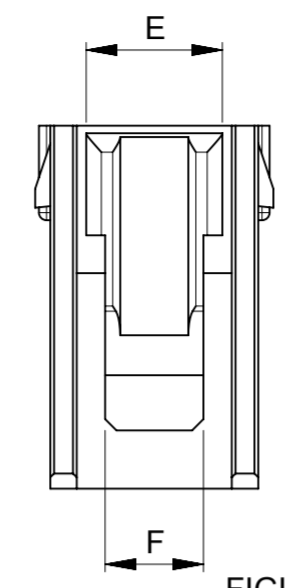
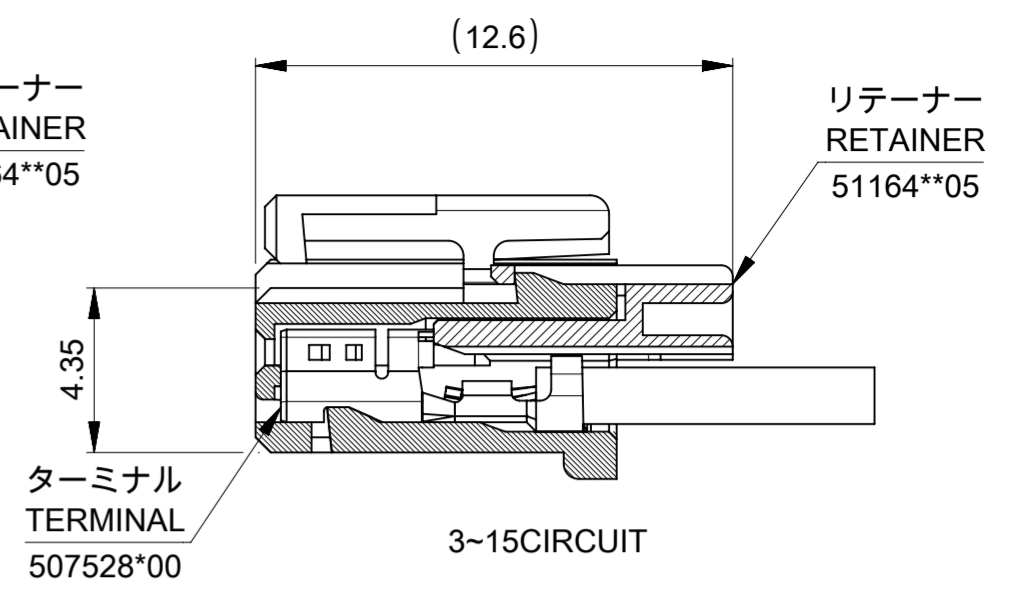
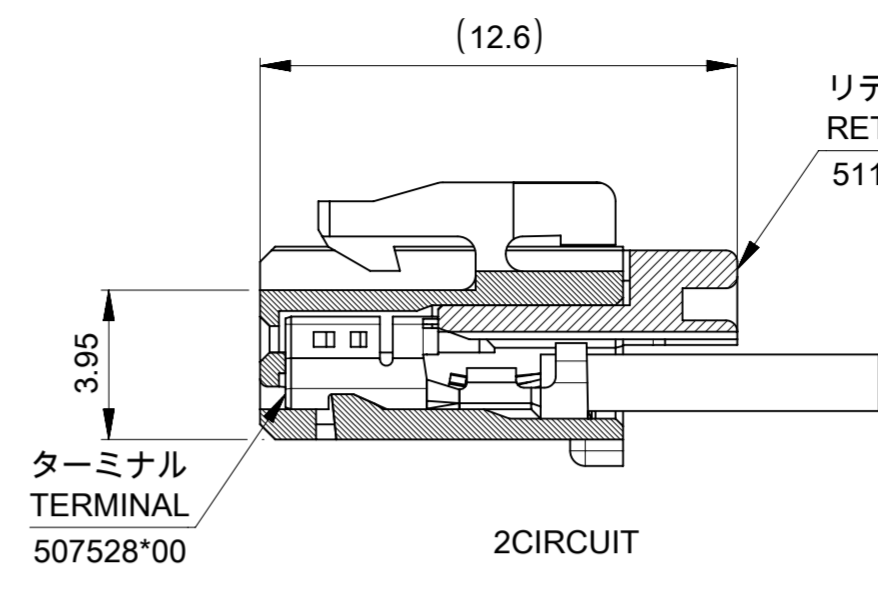
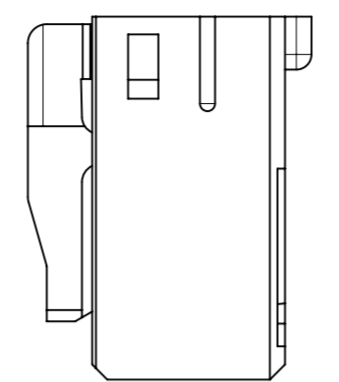


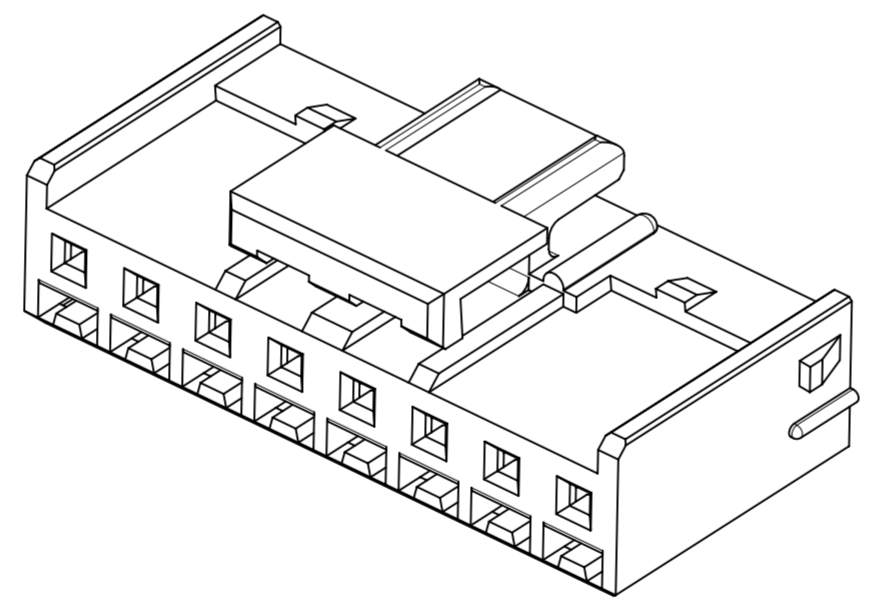
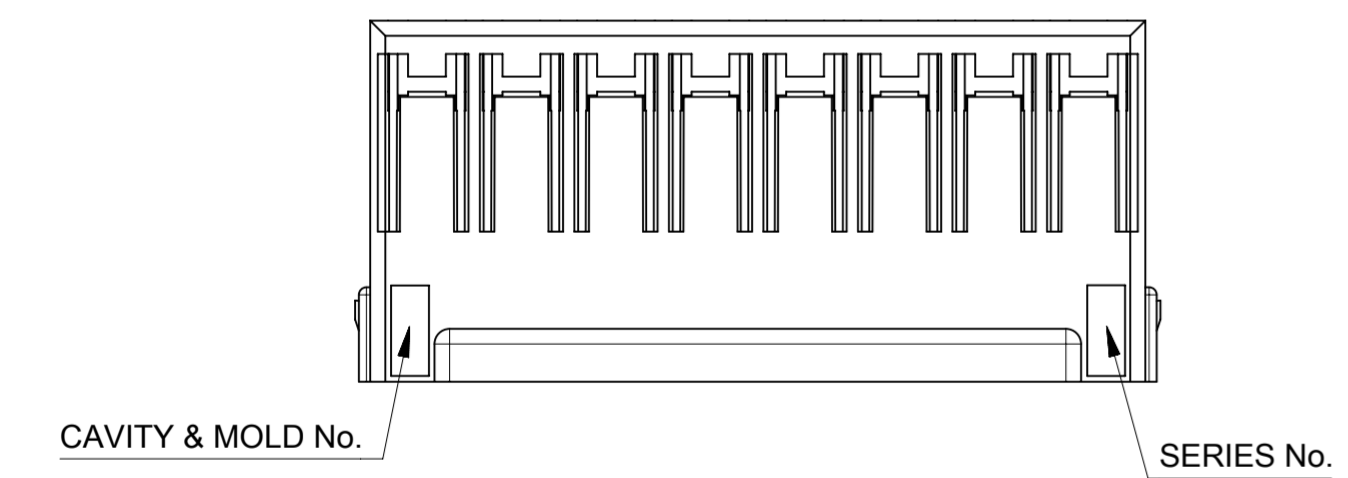
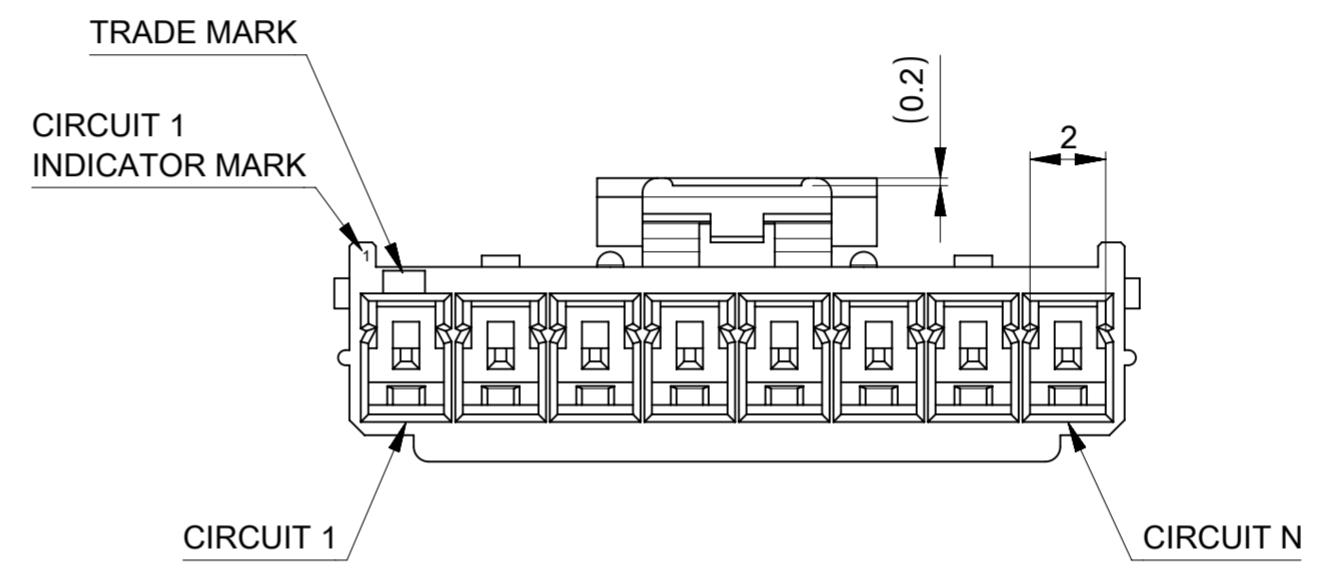
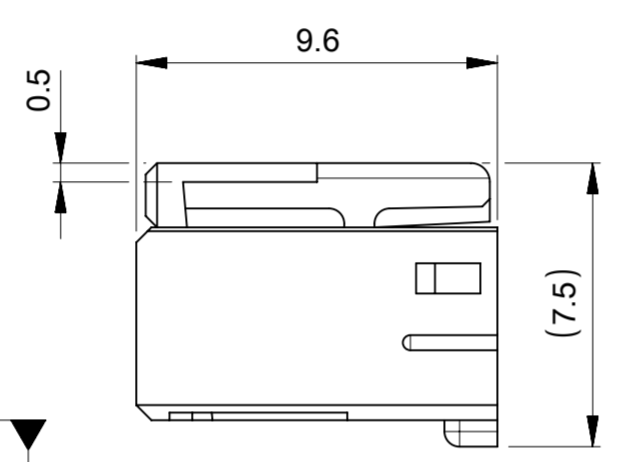
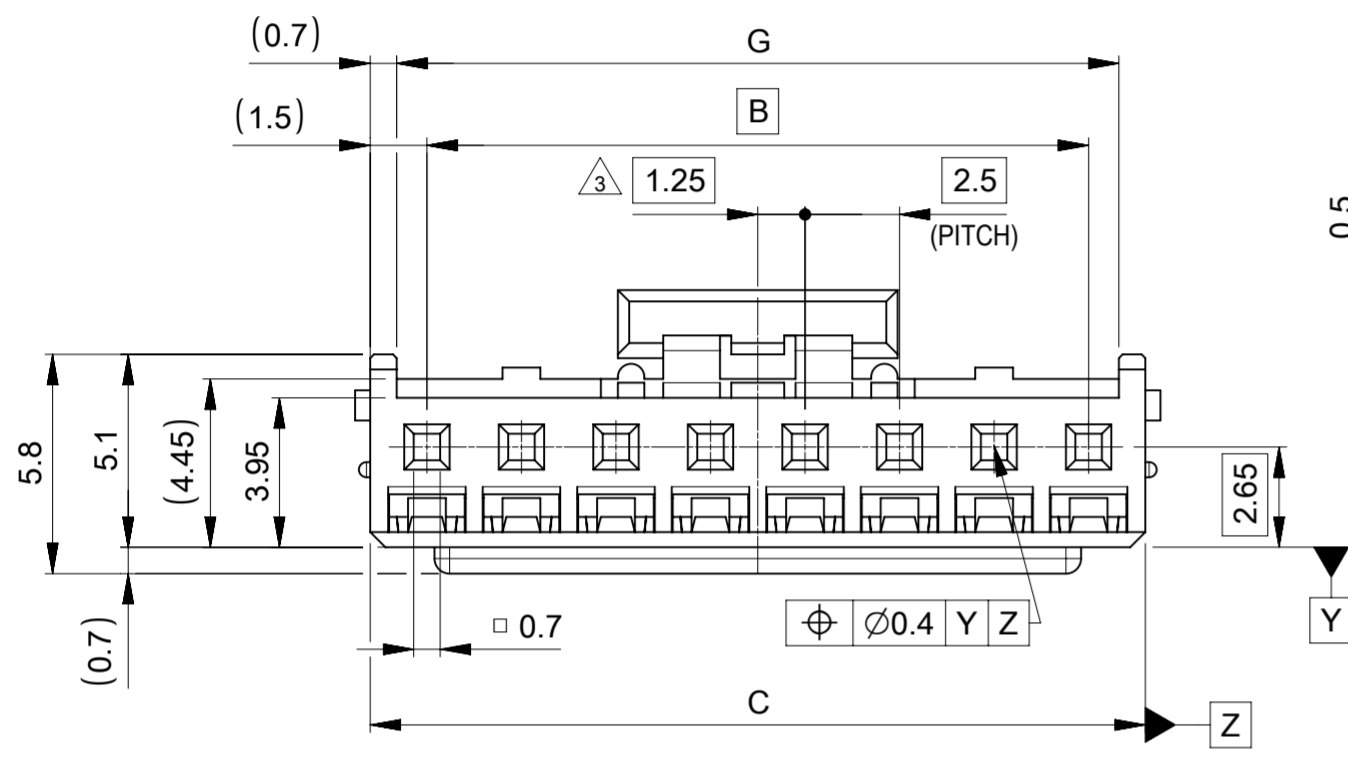
2極ロック形状
2CIRCUIT LOCK FORM



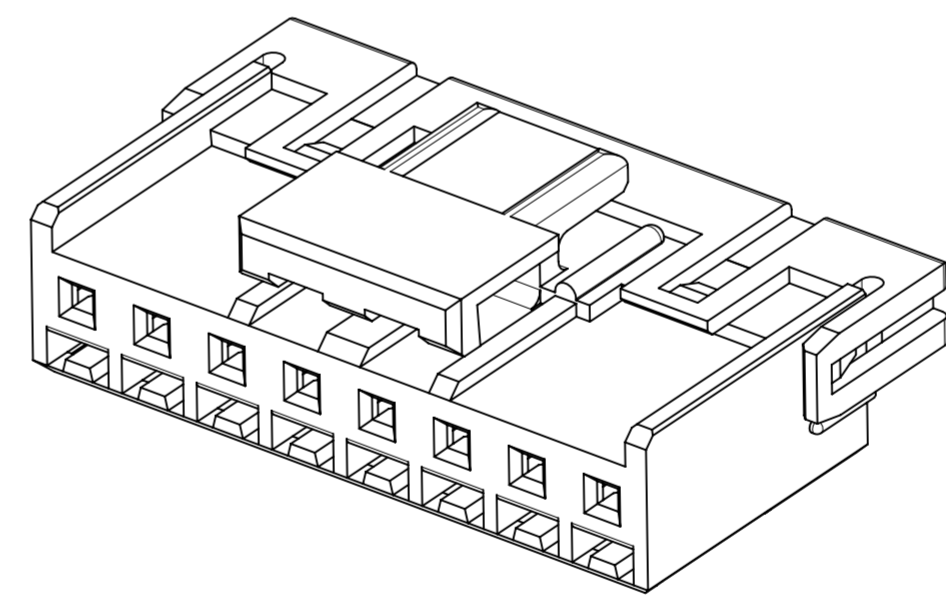
2極形状
FIGURE OF 2 CIRCUIT



ターミナル及びリテーナー装着状態図
TERMINAL AND RETAINER ASSEMBLY DRAWING



リテーナー未装着状態図
ASSEMBLY DRAWING



リテーナー装着状態図
RETAINER ASSEMBLY DRAWING

							HOUSING COLOR		
							NATURAL(WHITE)		
36.6	7.4	5	12.5	38	35	38.8	511631500	15	
34.1	7.4	5	12.5	35.5	32.5	36.3	511631400	14	
31.6	7.4	5	12.5	33	30	33.8	511631300	13	
29.1	7.4	5	12.5	30.5	27.5	31.3	511631200	12	
26.6	7.4	5	12.5	28	25	28.8	511631100	11	
24.1	7.4	5	12.5	25.5	22.5	26.3	511631000	10	
21.6	7.4	5	12.5	23	20	23.8	511630900	9	
19.1	7.4	5	12.5	20.5	17.5	21.3	511630800	8	
16.6	7.4	5	-	18	15	18.8	511630700	7	
14.1	7.4	5	-	15.5	12.5	16.3	511630600	6	
11.6	7.4	5	-	13	10	13.8	511630500	5	
9.1	7.4	5	-	10.5	7.5	11.3	511630400	4	
6.6	5	3	-	8	5	8.8	511630300	3	
4.1	2.6	3.6	-	5.5	2.5	6.3	511630200	2	
G	F	E	D	C	B	(A)	発注番号 ORDER No.	極数 CIRCUIT SIZE	

NOTE
 1. 材料：TABLE1参照
 MATERIAL:SEE TABLE1
 2. 適合ハウジング,嵌合相手,関連ドキュメントについてはSHEET 2 を御参照下さい。
 PLEASE REFER TO SHEET 2 FOR APPLICABLE HOUSING, MATING PARTNER
 AND RELATED DOCUMENTS.
 3. 偶数極に適用。
 APPLY FOR EVEN CIRCUIT.
 4. 本製品のプラスチック部に黒点等が確認される場合や、色合いが異なる場合が御座いますが、
 製品性能に影響は御座いません。
 THERE IS NO INFLUENCE IN THE PRODUCT PERFORMANCE THOUGH THE BLACK SPOT ETC.
 MIGHT BE CONFIRMED TO THE PLAXTIC PART OF THIS PRODUCT AND THE SHADE MIGHT BE DIFFERENT.

TABLE1

部品 PART	材質 MATERIAL
ハウジング HOUSING	ポリエステル(PBT):ガラス非含有,UL94V-0,色:ナチュラル(白) POLYESTER(PBT):GLASS UNFILLED,UL94V-0,COLOR:NATURAL(WHITE)

DOCUMENT STATUS	P1	RELEASE DATE	2020/09/28	04:28:58
-----------------	----	--------------	------------	----------

THIS DRAWING CONTAINS INFORMATION THAT IS PROPRIETARY TO MOLEX ELECTRONIC TECHNOLOGIES, LLC AND SHOULD NOT BE USED WITHOUT WRITTEN PERMISSION

DIMENSION UNITS	SCALE	CURRENT REV DESC: RELEASED	
mm	NTS		
GENERAL TOLERANCES (UNLESS SPECIFIED)			
ANGULAR TOL	± 3.0°	EC NO: 646034	
4 PLACES	± 0.2	DRWN: RWATANABE01	2019/04/22
3 PLACES	± 0.2	CHK'D: AIDA	2020/09/28
2 PLACES	± 0.2	APPR: SAKIYAMA	2020/09/28
1 PLACE	± 0.2	INITIAL REVISION:	
0 PLACES	± 0.2	DRWN: RWATANABE01	2019/04/22
DRAFT WHERE APPLICABLE MUST REMAIN WITHIN DIMENSIONS		APPR: SAKIYAMA	2020/09/28
THIRD ANGLE PROJECTION		DRAWING	SERIES
		A2-SIZE	51163
		MATERIAL NUMBER	CUSTOMER
		511630000-SD	GENERAL
		DOC TYPE	DOC PART
		PSD	000
		REVISION	A
		SHEET NUMBER	
		1 OF 2	

molex

MINI-LOCK 2.5
SINGLE ROW RECEPTACLE HOUSING WITH
RETAINER

PRODUCT CUSTOMER DRAWING

DOCUMENT NUMBER: 511630000-SD

DOC TYPE: PSD

DOC PART: 000

REVISION: A

CUSTOMER: GENERAL

SHEET NUMBER: 1 OF 2

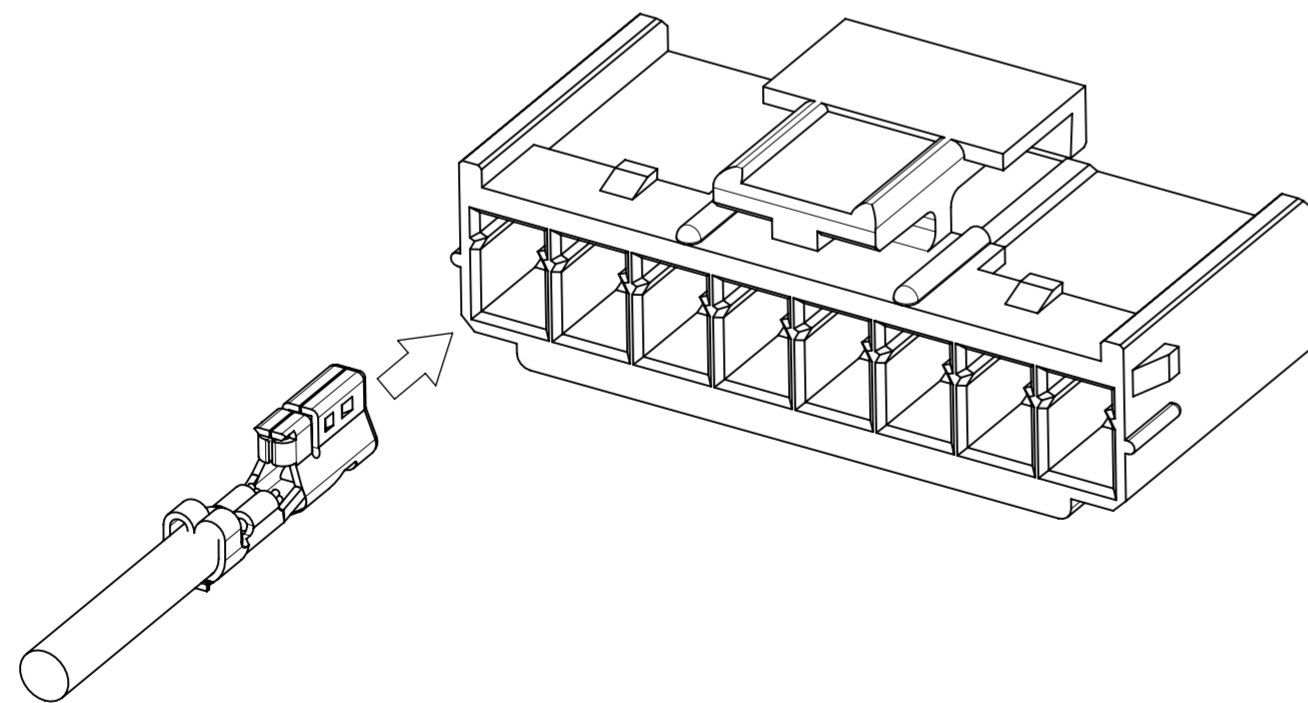
△ 適合製品及び各種仕様書
APPLICABLE PRODUCT AND VARIOUS SPECIFICATIONS

梱包仕様書 PACKAGING SPECIFICATION	PART NUMBER	SPECIFICATION NUMBER
	51163**0*	SPK-51163-001

適合端子 APPLICABLE TERMINAL	PART NUMBER	PLATING TYPE	WIRE SIZE(AWG)
	507528200	TIN	#20-#22
	507528400	TIN	#24-#26

適合リテーナー APPLICABLE RETAINER	51164		
シリーズ番号 SERIES No.			
適合嵌合相手 MATE WITH	THROUGH HOLE		
	VERTICAL	VERTICAL (FOR POTTING)	RIGHT ANGLE
	TIN PLATING		TIN PLATING
シリーズ番号 SERIES No.	53375	53517	53426
製品仕様書 PRODUCT SPECIFICATION	511630000-PS PS 000		
取扱説明書 APPLICATION SPECIFICATION	2166940000-AS PS 000		

製品嵌合図は各"適合嵌合相手"図面参照のこと
 MATING VIEW : REFER TO EACH "MATE WITH" PART DRAWING.

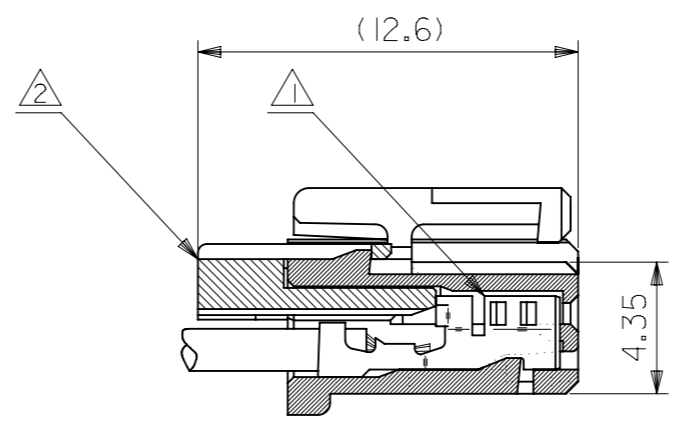
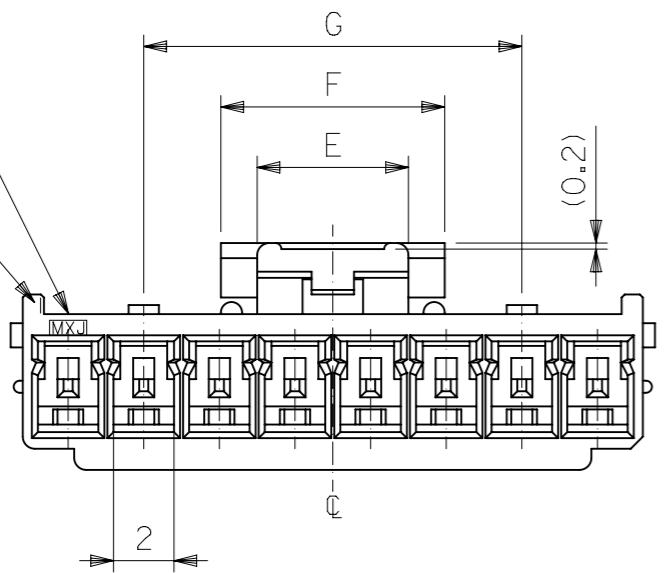


圧着ケーブル挿入方向
 HARNESS ASSY INSERTION DIRECTION

THIS DRAWING CONTAINS INFORMATION THAT IS PROPRIETARY TO MOLEX ELECTRONIC TECHNOLOGIES, LLC AND SHOULD NOT BE USED WITHOUT WRITTEN PERMISSION										
DIMENSION UNITS	SCALE	CURRENT REV DESC: RELEASED				molex				
mm	NTS									
GENERAL TOLERANCES (UNLESS SPECIFIED)						MINI-LOCK 2.5 SINGLE ROW RECEPTACLE HOUSING WITH RETAINER				
ANGULAR TOL	± 3.0°	EC NO: 646034				PRODUCT CUSTOMER DRAWING				
4 PLACES	± 0.2	DRWN: RWATANABE01		2019/04/22		DOCUMENT NUMBER				
3 PLACES	± 0.2	CHK'D: AIDA		2020/09/28		511630000-SD		DOC TYPE	DOC PART	REVISION
2 PLACES	± 0.2	APPR: SAKIYAMA		2020/09/28				PSD	000	A
1 PLACE	± 0.2	INITIAL REVISION:				MATERIAL NUMBER				
0 PLACES	± 0.2	DRWN: RWATANABE01		2019/04/22		CUSTOMER		SHEET NUMBER		
DRAFT WHERE APPLICABLE MUST REMAIN WITHIN DIMENSIONS		THIRD ANGLE PROJECTION		DRAWING	SERIES	GENERAL		2 OF 2		
		A2-SIZE		51163						

トレードマーク
TRADE MARK

回路番号 1
CIRCUIT NO.1

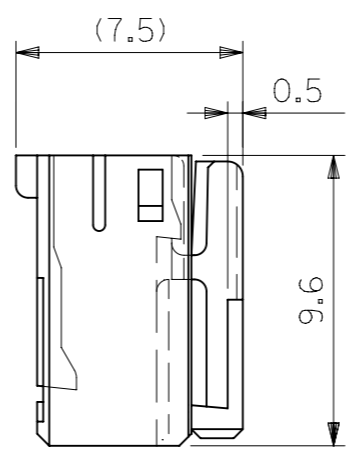
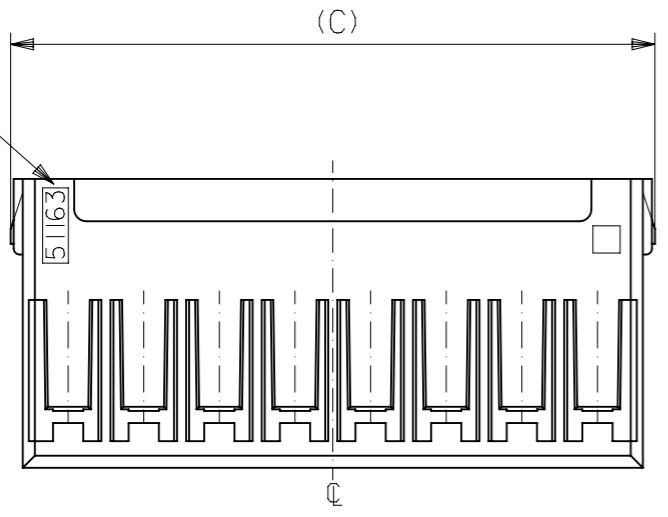


ターミナル及びリテーナー装着状態図
TERMINAL AND RETAINER ASSEMBLY DRAWING

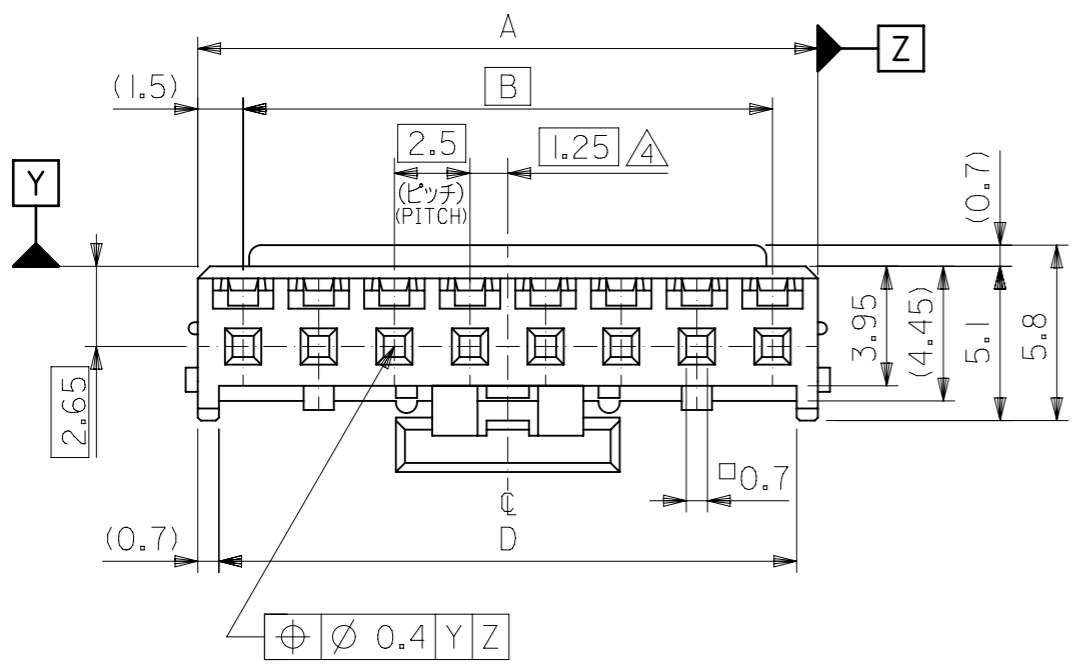
注記 NOTES

- △1 適合ターミナル : 50752-8*00
APPLICABLE TERMINAL : 50752-8*00
- △2 適合リテーナー : 51164-**05
APPLICABLE RETAINER : 51164-**05
- 3. 嵌合相手 : 53375,53376,53388,53389,53426 シリーズ
MATE WITH : 53375,53376,53388,53389,53426 SERIES
- △4 偶数極の製品に適用。
APPLY EVEN CIRCUIT PRODUCTS.

製品番号
ENG. NO.



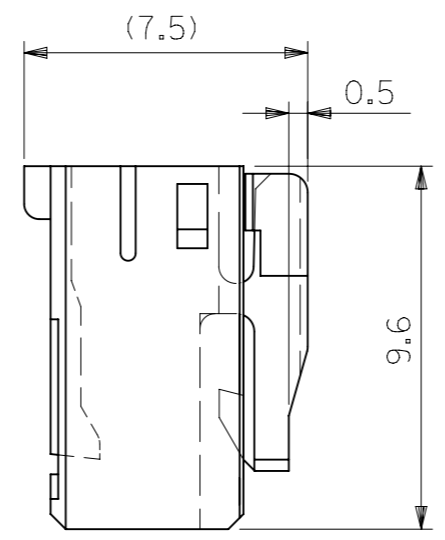
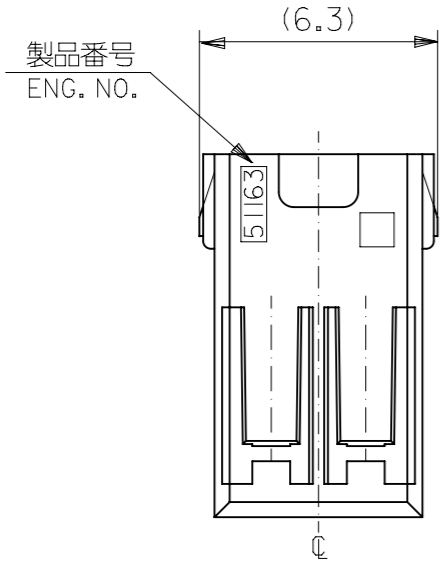
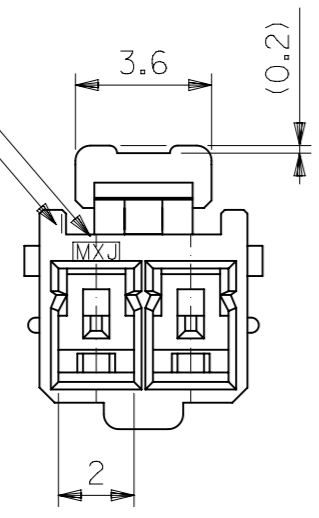
3-15 極に適用
FOR 3-15 CKTS.



							白 NATURAL	COLOR
12.5	7.4	5	36.6	38.8	35	38	51163 - 1500	15
12.5	↑	↑	34.1	36.3	32.5	35.5	↑ - 1400	14
12.5			31.6	33.8	30	33	↑ - 1300	13
12.5			29.1	31.3	27.5	30.5	↑ - 1200	12
12.5			26.6	28.8	25	28	↑ - 1100	11
12.5			24.1	26.3	22.5	25.5	↑ - 1000	10
12.5			21.6	23.8	20	23	↑ - 0900	9
12.5			19.1	21.3	17.5	20.5	↑ - 0800	8
			16.6	18.8	15	18	↑ - 0700	7
			14.1	16.3	12.5	15.5	↑ - 0600	6
			11.6	13.8	10	13	↑ - 0500	5
	7.4	5	9.1	11.3	7.5	10.5	↑ - 0400	4
	5	3	6.6	8.8	5	8	51163 - 0300	3
G	F	E	D	(C)	B	A	MATERIAL NO.	NO. OF CKT

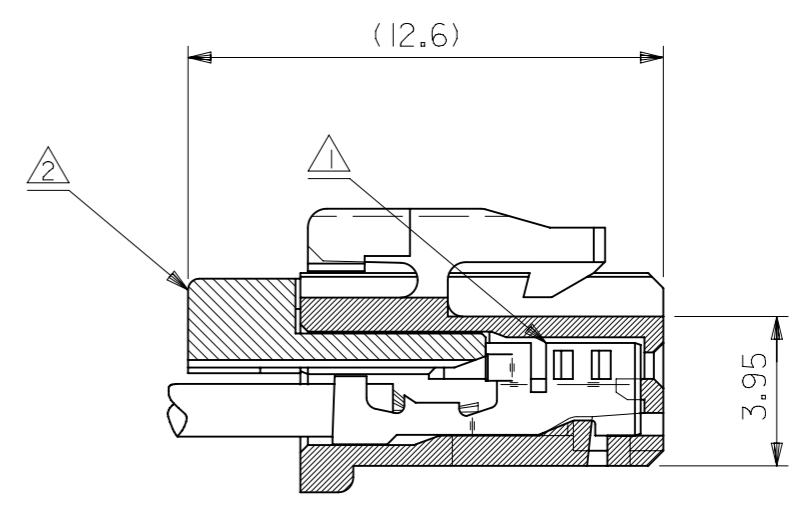
GENERAL TOLERANCES (UNLESS SPECIFIED)		THIS DRAWING CONTAINS INFORMATION THAT IS PROPRIETARY TO MOLEX ELECTRONIC TECHNOLOGIES, LLC AND SHOULD NOT BE USED WITHOUT WRITTEN PERMISSION		CURRENT REV DESC: OBSOLETE PART NO		molex	
10 UNDER	±0.2	mm	SCALE 4:1	EC NO: 629832			
10 OVER 30 UNDER	±0.25	GENERAL TOLERANCES (UNLESS SPECIFIED)		DRWN: VLOKESHA 2019/12/17		PRODUCT CUSTOMER DRAWING	
30 OVER	±0.3	4 PLACES ± 0.2	MM INCH	CHK'D: GGA 2020/01/22		DOCUMENT NUMBER	
ANGULAR ±3°		3 PLACES ± 0.25		APPR: GGA 2020/01/22		DOC TYPE DOC PART REVISION	
DRAFT WHERE APPLICABLE MUST REMAIN WITHIN DIMENSIONS		2 PLACES ± 0.3		INITIAL REVISION:		SD-51163-001 PSD 001 A1	
MATERIAL PBTP, UL94V-0 SEE CHART		1 PLACE ±		DRWN: J.SASAMO 2004/08/31		MATERIAL NUMBER	
		0 PLACES ±		APPR: N.UKITA 2004/08/31		CUSTOMER	
		ANGULAR TOL ± 3.0°		THIRD ANGLE PROJECTION		SHEET NUMBER	
		DRAFT WHERE APPLICABLE MUST REMAIN WITHIN DIMENSIONS		DRAWING A3-SIZE		GENERAL MARKET	
				SERIES 51163		1 OF 2	

トレードマーク
TRADE MARK
回路番号 1
CIRCUIT NO.1

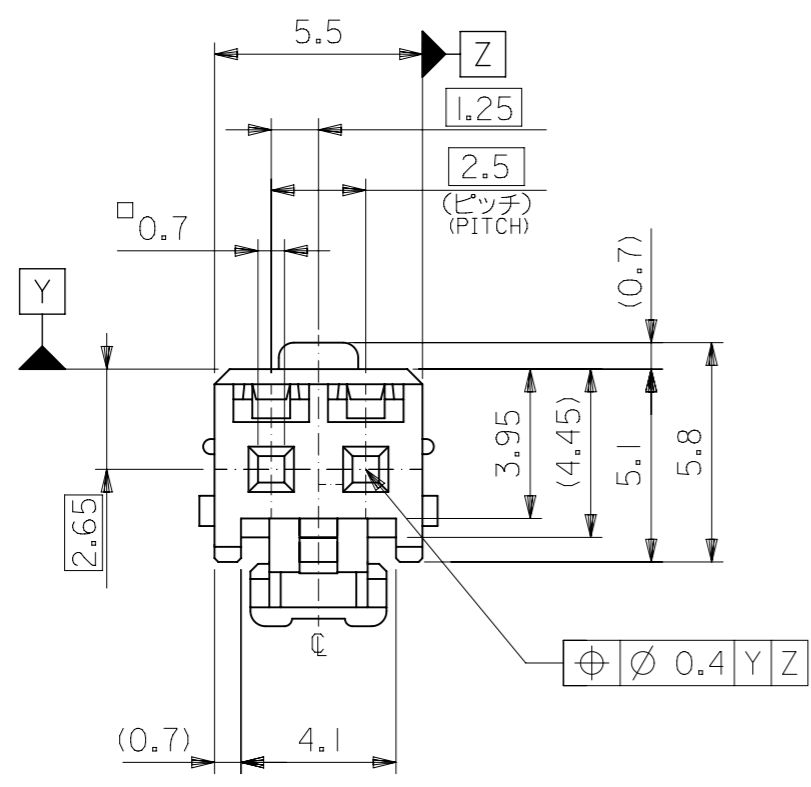


注記 NOTES

- ① 適合ターミナル : 50752-8*00
APPLICABLE TERMINAL : 50752-8*00
- ② 適合リテーナー : 51164-***05
APPLICABLE RETAINER : 51164-***05
- 3. 嵌合相手 : 53375,53426 シリーズ
MATE WITH : 53375,53426 SERIES



ターミナル及びリテーナー装着状態図
TERMINAL AND RETAINER ASSEMBLY DRAWING



2極に適用
FOR 2 CKTS.

白 NATURAL	51163-0200	2
COLOR MATERIAL NO.	MATERIAL NO.	NO. OF CKT.

GENERAL TOLERANCES (UNLESS SPECIFIED)		THIS DRAWING CONTAINS INFORMATION THAT IS PROPRIETARY TO MOLEX ELECTRONIC TECHNOLOGIES, LLC AND SHOULD NOT BE USED WITHOUT WRITTEN PERMISSION		CURRENT REV DESC: OBSOLETE PART NO																																									
10 UNDER	±0.2	mm	SCALE 5:1	<table border="1"> <tr> <td colspan="2">molex</td> </tr> <tr> <td colspan="2">2.5 WIRE TO BORAD CONN. HOUSING (POSITIVE LOCK) WITH RETAINER</td> </tr> <tr> <td colspan="2">PRODUCT CUSTOMER DRAWING</td> </tr> <tr> <td>EC NO: 629832</td> <td>DRWN: VLOKESHA 2019/12/17</td> </tr> <tr> <td>CHK'D: GGA 2020/01/22</td> <td>APPR: GGA 2020/01/22</td> </tr> <tr> <td colspan="2">INITIAL REVISION:</td> </tr> <tr> <td>DRWN: J.SASAMO 2004/08/31</td> <td>2004/08/31</td> </tr> <tr> <td>APPR: N.UKITA</td> <td></td> </tr> <tr> <td>DOCUMENT NUMBER</td> <td>DOC TYPE</td> <td>DOC PART</td> <td>REVISION</td> <td colspan="2"></td> </tr> <tr> <td>SD-51163-001</td> <td>PSD</td> <td>001</td> <td>A1</td> <td colspan="2"></td> </tr> <tr> <td>MATERIAL NUMBER</td> <td>CUSTOMER</td> <td colspan="2">SHEET NUMBER</td> <td colspan="2"></td> </tr> <tr> <td>SEE TABLE</td> <td>GENERAL MARKET</td> <td colspan="2">2 OF 2</td> <td colspan="2"></td> </tr> </table>		molex		2.5 WIRE TO BORAD CONN. HOUSING (POSITIVE LOCK) WITH RETAINER		PRODUCT CUSTOMER DRAWING		EC NO: 629832	DRWN: VLOKESHA 2019/12/17	CHK'D: GGA 2020/01/22	APPR: GGA 2020/01/22	INITIAL REVISION:		DRWN: J.SASAMO 2004/08/31	2004/08/31	APPR: N.UKITA		DOCUMENT NUMBER	DOC TYPE	DOC PART	REVISION			SD-51163-001	PSD	001	A1			MATERIAL NUMBER	CUSTOMER	SHEET NUMBER				SEE TABLE	GENERAL MARKET	2 OF 2			
molex																																													
2.5 WIRE TO BORAD CONN. HOUSING (POSITIVE LOCK) WITH RETAINER																																													
PRODUCT CUSTOMER DRAWING																																													
EC NO: 629832	DRWN: VLOKESHA 2019/12/17																																												
CHK'D: GGA 2020/01/22	APPR: GGA 2020/01/22																																												
INITIAL REVISION:																																													
DRWN: J.SASAMO 2004/08/31	2004/08/31																																												
APPR: N.UKITA																																													
DOCUMENT NUMBER	DOC TYPE	DOC PART	REVISION																																										
SD-51163-001	PSD	001	A1																																										
MATERIAL NUMBER	CUSTOMER	SHEET NUMBER																																											
SEE TABLE	GENERAL MARKET	2 OF 2																																											
10 OVER	30 UNDER	±0.25	GENERAL TOLERANCES (UNLESS SPECIFIED)																																										
30 OVER		±0.3	4 PLACES ± 0.2																																										
			3 PLACES ± 0.25																																										
			2 PLACES ± 0.3																																										
			1 PLACE ±																																										
			0 PLACES ±																																										
			ANGULAR TOL ± 3.0°																																										
			DRAFT WHERE APPLICABLE MUST REMAIN WITHIN DIMENSIONS																																										
			ANGULAR ±3°																																										
			DRAFT WHERE APPLICABLE MUST REMAIN WITHIN DIMENSIONS																																										

MATERIAL
PBTP, UL94V-0
SEE CHART