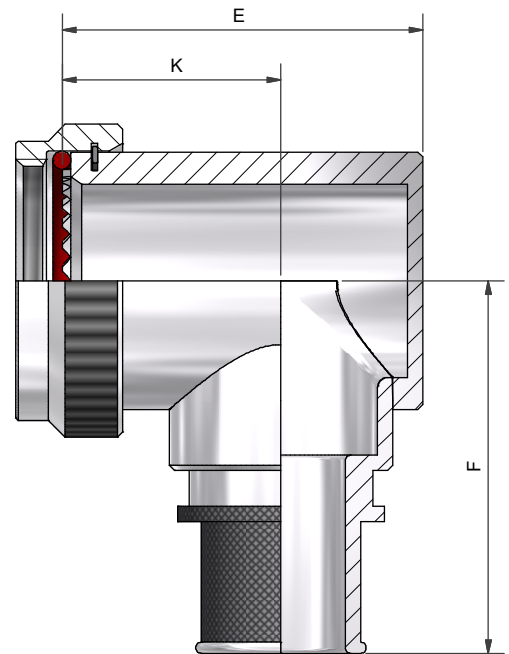
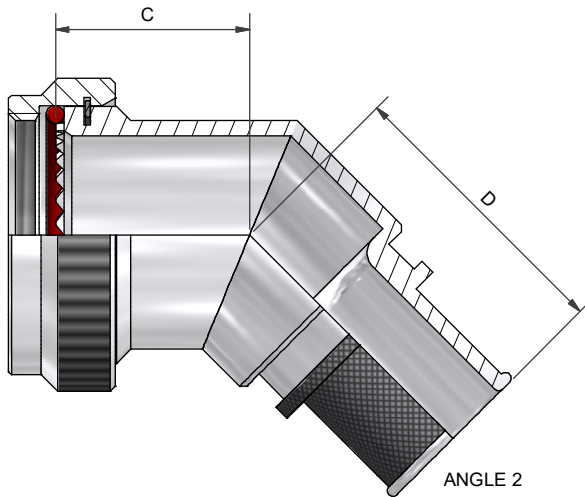
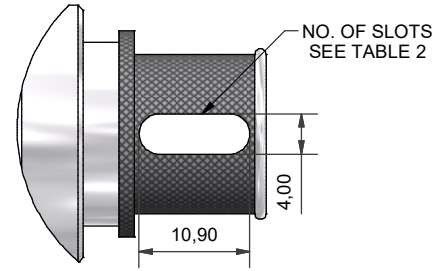


SLOT OPTION - SL  
(PIGTAIL TERMINATION)



ANGLE 3

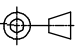


DRAWN		DATE		 3RD ANGLE PROJECTION NOT TO SCALE	PART NUMBER:		BTF SERIES		 Polamco
K.K-W		27/03/2018			TITLE:		BANDING BACKSHELL		
DESIGN APPROVAL		DATE		UNLESS OTHERWISE SPECIFIED ALL DIMENSIONS IN MILLIMETRES <b>GENERAL TOL</b> LINEAR +/-0,25MM ANGULAR +/- 1°	ASSY USED ON: MIL-DTL-38999 SERIES II		 STE connectivity		
DIW		27/03/2018			THIS DRAWING IS COPYRIGHT AND THE PROPERTY OF POLAMCO LTD IT MUST NOT BE COPIED, USED FOR MANUFACTURE OR OTHERWISE DISCLOSED WITHOUT PRIOR WRITTEN CONSENT OF THE COMPANY.		POLAMCO LTD, WESTON LOCK, LOWER BRISTOL ROAD BATH BA2 1EP		SHT <b>1</b>
DOC TYPE	Customer Drawing			MATERIAL	SEE PART NUMBER BREAKDOWN			DRAWING NO: <b>P11325</b>	
ISSUE	REV.	DCR		FINISH	SEE PART NUMBER BREAKDOWN				
5		6744		WEIGHT					
NCAGE CODE U5792									

TABLE 1

SHELL SIZE	A THREAD	ØB MAX	ØT MIN	C ±0,5	D MAX	E MAX	F MAX	K ±0,5
08	7/16-28 UNEF	18,3	6,6	16,4	25,7	22,7	30,5	15,0
10	9/16-24 UNEF	21,5	10,1	17,2	26,9	26,2	32,2	17,0
12	11/16-24 UNEF	24,5	12,9	17,6	27,3	29,2	33,7	18,0
14	13/16-20 UNEF	27,8	16,1	18,5	28,2	32,2	35,2	20,0
16	15/16-20 UNEF	30,8	19,3	19,2	29,0	35,7	36,9	21,5
18	1 1/16-18 UNEF	34,1	21,7	19,6	29,3	39,7	38,5	23,0
20	1 3/16-18 UNEF	37,3	24,9	20,4	30,1	42,2	41,1	25,0
22	1 5/16-18 UNEF	40,5	28,1	20,8	30,5	45,2	41,6	26,0
24	1 7/16-18 UNEF	43,7	31,3	21,7	31,4	48,2	43,1	28,0

TABLE 2

ENTRY SIZE	ØG MIN	ØH MAX	NO. OF SLOTS *
03	4,7	13,9	1
04	6,3	13,9	1
05	7,9	15,5	1
06	9,5	17,2	2
07	11,1	18,7	2
08	12,7	20,3	2
09	14,2	21,9	2
10	15,8	23,5	2
11	17,4	25,1	2
12	19,0	26,7	2
13	20,6	28,3	2
14	22,2	29,9	4
15	23,8	31,5	4
16	25,4	33,1	4
17	27,0	34,7	4
18	28,6	36,3	4
19	30,2	37,9	4
20	31,8	39,5	4
21	33,3	41,1	4
22	35,0	42,7	4
23	36,5	44,3	4
24	38,1	45,9	4

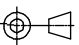


TABLE 3

CODE	FINISH
C	ELECTROLESS NICKEL
B	CADMIUM OLIVE DRAB OVER ELECTROLESS NICKEL
ZB	ZINC COBALT OLIVE DRAB OVER ELECTROLESS NICKEL
ZN	ZINC NICKEL BLACK PASSIVATE OVER ELECTROLESS NICKEL

SEE SS0076 FOR FULL RANGE OF FINISH OPTIONS

**BTF1-16-08-1-C**

SERIES \_\_\_\_\_  
CONNECTOR INTERFACE \_\_\_\_\_  
ANGLE \_\_\_\_\_  
SHELL SIZE (TABLE 1) \_\_\_\_\_  
ENTRY SIZE (TABLE 2) \_\_\_\_\_  
MATERIAL \_\_\_\_\_  
ALUMINIUM ALLOY  
FINISH (TABLE 3) \_\_\_\_\_  
\*INSERT SL FOR SLOT OPTION \_\_\_\_\_  
OMIT FOR STANDARD

DRAWN		DATE		 3RD ANGLE PROJECTION NOT TO SCALE	PART NUMBER:		BTF SERIES		 Polamco  STE connectivity		
K.K-W		27/03/2018			TITLE:		BANDING BACKSHELL				
DESIGN APPROVAL		DATE		UNLESS OTHERWISE SPECIFIED ALL DIMENSIONS IN MILLIMETRES GENERAL TOL LINEAR +/-0,25MM ANGULAR +/- 1°	ASSY USED ON: MIL-DTL-38999 SERIES II		THIS DRAWING IS COPYRIGHT AND THE PROPERTY OF POLAMCO LTD IT MUST NOT BE COPIED, USED FOR MANUFACTURE OR OTHERWISE DISCLOSED WITHOUT PRIOR WRITTEN CONSENT OF THE COMPANY.	POLAMCO LTD, WESTON LOCK, LOWER BRISTOL ROAD BATH BA2 1EP		SHT 2	DRAWING NO: P11325
DIW		27/03/2018			MATERIAL						
DOC TYPE	Customer Drawing			FINISH		SEE PART NUMBER BREAKDOWN		WEIGHT			
ISSUE	REV.	DCR 6744									
5											
NCAGE CODE U5792											