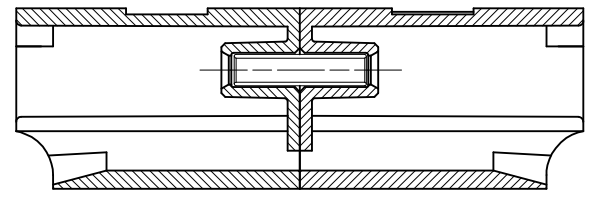
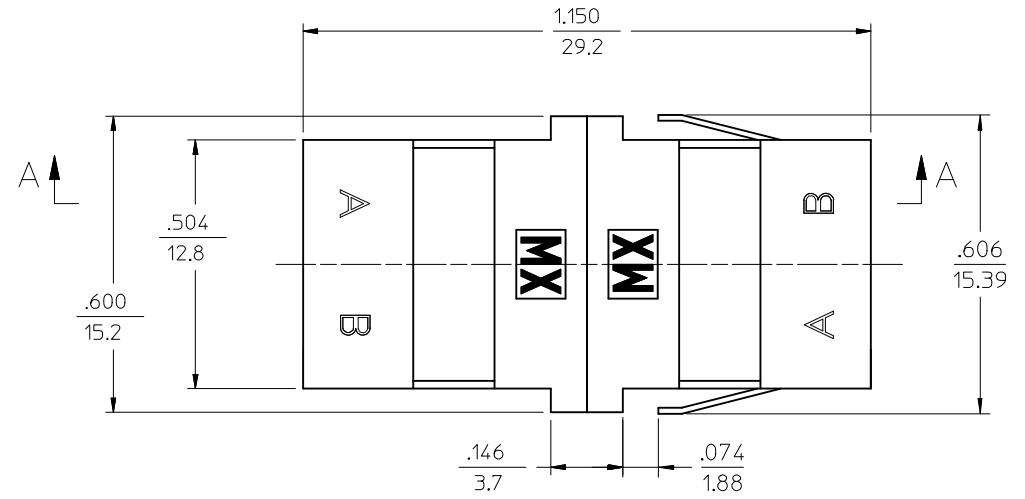
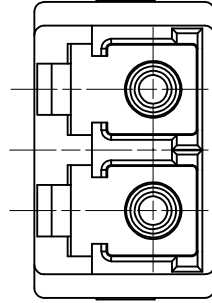
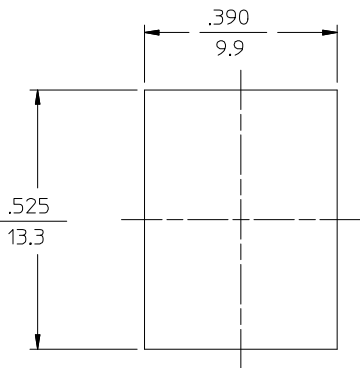


LC ADAPTER ASSY. P/N	ADAPTER COLOR	SPLIT SLEEVE MATERIAL	DUST CAP COLOR
106126-0410	BEIGE	Ph. Bronze	WHITE
106126-0510	BLUE		
106126-1400			
106126-1415*			
106126-1416**			
106126-1450	GREEN	Zr	INDIGO BLUE (ANTI-STATIC)
106126-1460	BLUE		
106126-1410	BLACK		
106126-1420	BEIGE		
106126-1430	AQUA		
106126-3410	BLACK		



SECTION A-A



RECOMMENDED MOUNTING CUTOUT
FOR $\frac{.063}{1.6}$ THICK PANEL

NOTES:

1. ALL DIMENSIONS ARE FOR REFERENCE ONLY.
2. ASSEMBLED DUST CAP NOT SHOWN.
- *3. P/N 106126-1415 IS BULK PACKED IN QUANTITIES OF 100 PCS.
- **4. P/N 106126-1416 IS BULK PACKED AS FOLLOWS: 500 pcs. OF ADAPTERS PER BAG.

ENTER DESCRIPTION EC NO: MF2013-0421 DRW:KPEVZNER 2013/01/18 CHKD: APPR:SERNST 2013/01/18 D3	QUALITY SYMBOLS ▽=0 ▽=0	GENERAL TOLERANCES (UNLESS SPECIFIED) <table border="1"> <thead> <tr> <th></th> <th>mm</th> <th>INCH</th> </tr> </thead> <tbody> <tr> <td>4 PLACES</td> <td>± .005</td> <td>± .0002</td> </tr> <tr> <td>3 PLACES</td> <td>± .005</td> <td>± .0002</td> </tr> <tr> <td>2 PLACES</td> <td>± .005</td> <td>± .0002</td> </tr> <tr> <td>1 PLACE</td> <td>± .005</td> <td>± .0002</td> </tr> <tr> <td>0 PLACE</td> <td>± .005</td> <td>± .0002</td> </tr> </tbody> </table>		mm	INCH	4 PLACES	± .005	± .0002	3 PLACES	± .005	± .0002	2 PLACES	± .005	± .0002	1 PLACE	± .005	± .0002	0 PLACE	± .005	± .0002	DIMENSION STYLE IN/MM DRAWN BY PGIBLIN DATE 2005/10/05 CHECKED BY DATE APPROVED BY DATE	SCALE 1:1 DESIGN UNITS INCH THIRD ANGLE PROJECTION	TITLE LC DUPLEX ADAPTER (SMALL FLANGE/SC FOOT PRINT) molex	SHEET NO. 1 OF 1
		mm	INCH																					
	4 PLACES	± .005	± .0002																					
	3 PLACES	± .005	± .0002																					
2 PLACES	± .005	± .0002																						
1 PLACE	± .005	± .0002																						
0 PLACE	± .005	± .0002																						
DESCRIPTION SD-106126-X4X0	MATERIAL NO. SEE TABLE	DOCUMENT NO. SEE TABLE	ANGULAR ±1/2° DRAFT WHERE APPLICABLE MUST REMAIN WITHIN DIMENSIONS	SIZE B	THIS DRAWING CONTAINS INFORMATION THAT IS PROPRIETARY TO MOLEX INCORPORATED AND SHOULD NOT BE USED WITHOUT WRITTEN PERMISSION																			