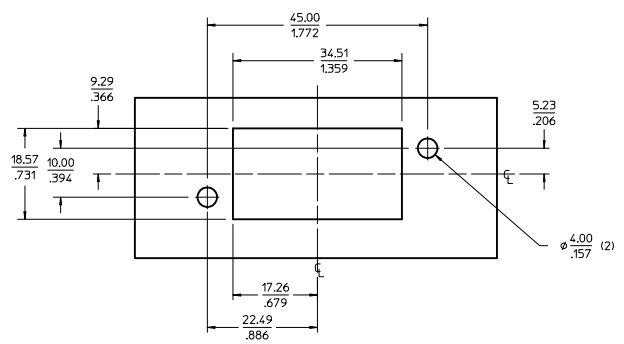
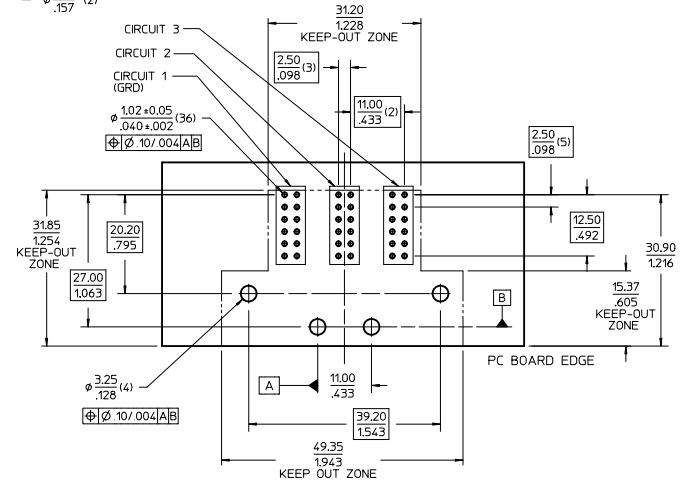
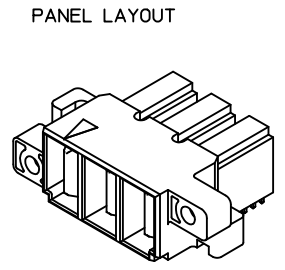
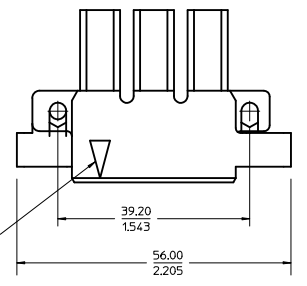


PART NUMBER	DIM "A" PC TAIL	PC BOARD THICKNESS	DESCRIPTION
46817-1000	3.86+0.30 .125+.012	2.36/0.093	SHORT TAILS
46817-1001	4.69+0.30 .185+.012	3.18/0.125 3.60/0.142	LONG TAILS

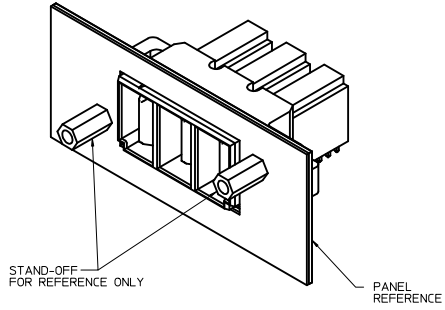


- NOTES:
1. MATERIAL: HOUSING: 30% GF POLYESTER - 94V-0 89992-0030
TERMINALS: COPPER ALLOY
 2. PLATING: TERMINALS: 30 μ IN GOLD IN THE CONTACT AREA,
100 μ IN TIN IN THE PC TAIL AREA OVER
50 μ IN NICKEL OVERALL
 3. PRODUCT SPECIFICATION: PS-46819-001
 4. PARTS ARE TRAY PACKED PER PACKAGING SPECIFICATION: PK-46817-001
 5. MATING HARNESS SERIES 111119
 6. PC BOARD HOLES ARE FOR SOLDER TAIL TYPE TERMINALS
 7. PC BOARD HOLES TO BE PLATED THRU HOLES

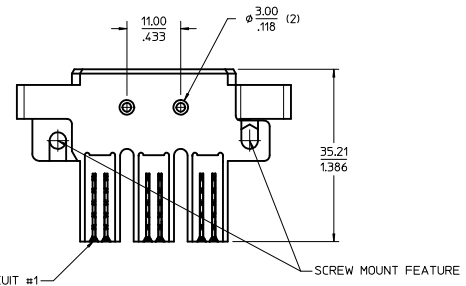
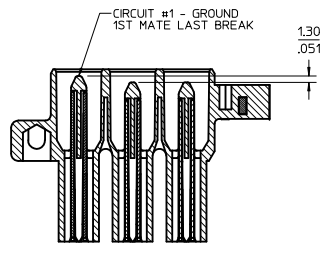
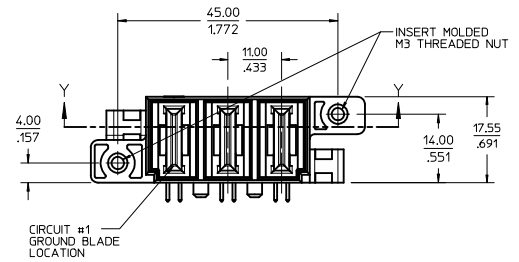
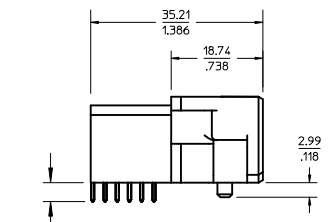
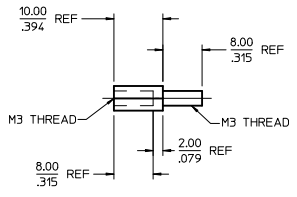


PART SUPPLIED AS SHOWN

RECOMMENDED PCB LAYOUT
(CONNECTOR SIDE)



RECOMMENDED M3 STAND-OFF
FOR REFERENCE ONLY
MAY BE PURCHASED FROM HARDWARE VENDOR



REV	DESCRIPTION	QUALITY SYMBOLS	GENERAL TOLERANCES (UNLESS SPECIFIED)		DRAWN BY	DATE	TITLE	
			mm	INCH				
4	PLACES ± .01	∇=0	± .01	± .01	MDATA	2009/01/22	GUARDIAN PLUG ASSEMBLY 3 CKT	
3	PLACES ± .02	∇=0	± .02	± .02	CHECKED BY	DATE		
2	PLACES ± 0.25	∇=0	± .02	± .02	APATEL	2009/01/23		
1	PLACE ± 0.51	∇=0	± .02	± .02	APPROVED BY	DATE		
			ANGULAR ± 1/2°		APATEL	2011/12/20		
DRAFT WHERE APPLICABLE MUST REMAIN WITHIN DIMENSIONS					MATERIAL NO. SEE CHART		MOLEX INCORPORATED	
					DOCUMENT NO. SD-46817-100		SHEET NO. 1 OF 1	