

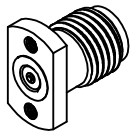
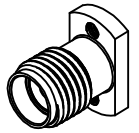
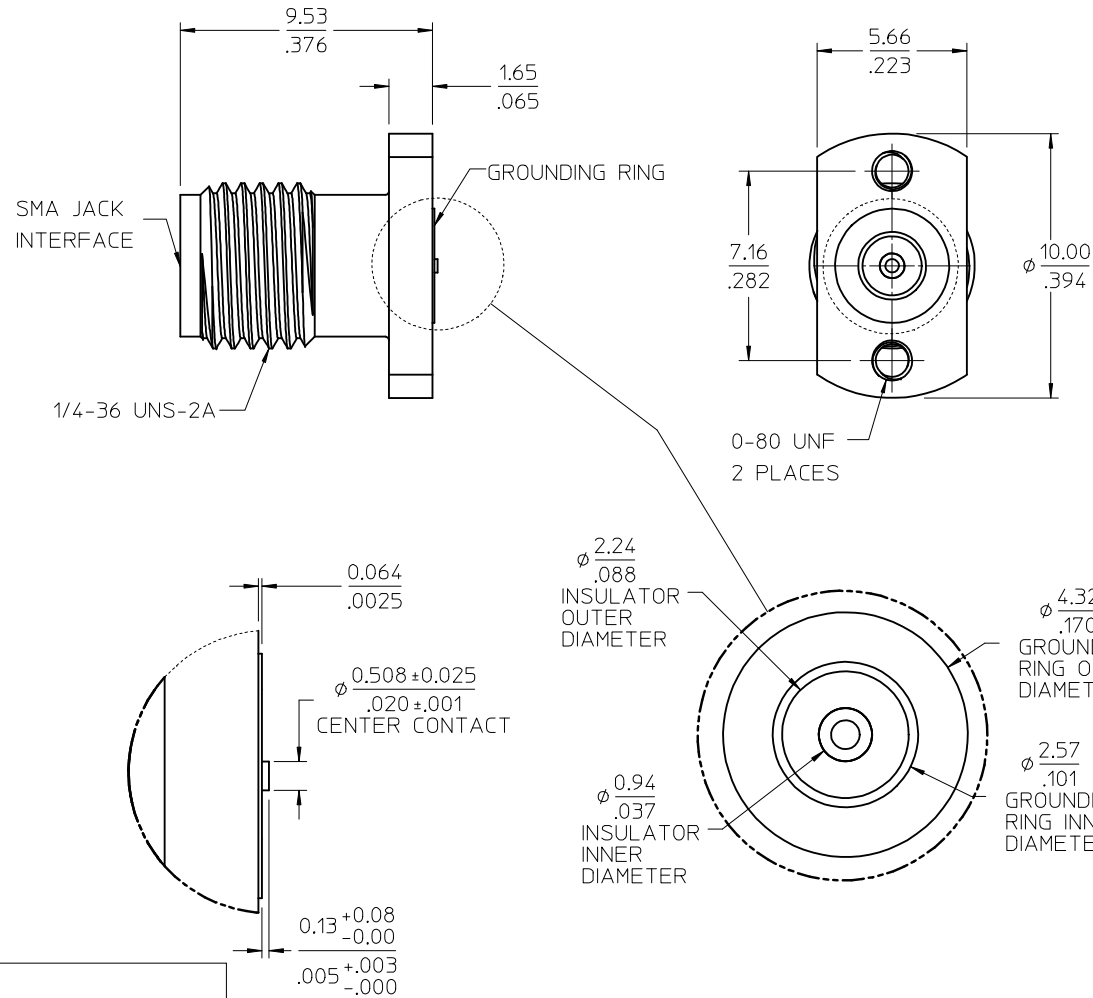
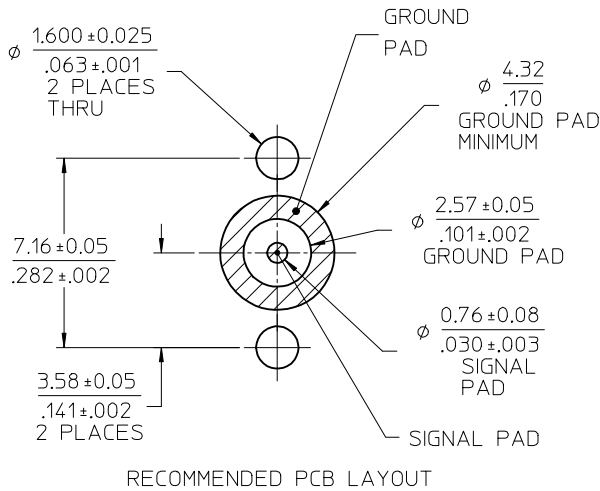
MATERIALS AND FINISHES

BODY STAINLESS STEEL  
PASSIVATED

CENTER CONTACT BERYLLIUM COPPER  
PLATED GOLD

INSULATOR TEFLON

SCREW STEEL



SEE SHEET 2 FOR OTHER PART NUMBERS

73251-3482	P/N 73251-3480, ONE PER BAG
73251-3480	WITHOUT SCREWS, TRAY PACK
PART NO.	DESCRIPTION

PS-89675-3460	ELECTO/MECH PERFOR
MIL-STD-348A, FIG 310-2	INTERFACE
SPECIFICATION	DESCRIPTION

CHG: INSULATOR UPDATED  
 EC NO: URF2013-0586  
 DRWN: LEE02 2013/04/23  
 CHKD: SSS 2013/04/23  
 APPR: WIENER 2013/04/23

QUALITY SYMBOLS  
 ▽=0  
 ▽=0

GENERAL TOLERANCES (UNLESS SPECIFIED)

	mm	INCH
4 PLACES ±	---	±---
3 PLACES ±	---	±---
2 PLACES ±	---	±---
1 PLACE ±	---	±---

ANGULAR ± 2°

DRAFT WHERE APPLICABLE MUST REMAIN WITHIN DIMENSIONS

DIMENSION STYLE: MM/IN

SCALE: METRIC

DESIGN UNITS: METRIC

THIRD ANGLE PROJECTION

DRAWN BY: SSS DATE: 2008/07/16

CHECKED BY: AZR DATE: 2008/07/16

APPROVED BY: JW IENER DATE: 2010/06/09

MATERIAL NO. SEE TABLE

SIZE: C

TITLE: SMA JACK, FLANGE WITH 0-80 THD, 50 OHM 27 GHZ EWR-3690 SMA-J/R/F

MOLEX INCORPORATED

DOCUMENT NO. SD-73251-348

SHEET NO. 1 OF 2

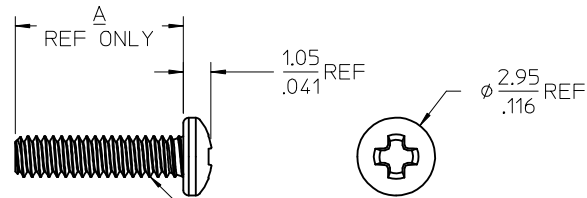
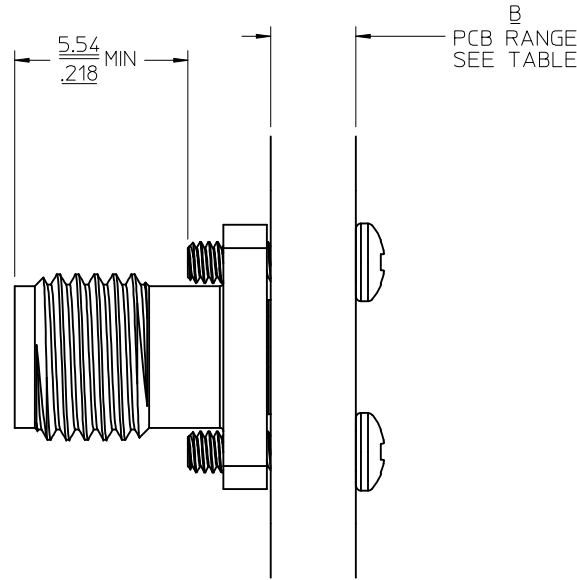
THIS DRAWING CONTAINS INFORMATION THAT IS PROPRIETARY TO MOLEX INCORPORATED AND SHOULD NOT BE USED WITHOUT WRITTEN PERMISSION

MATERIALS AND FINISHES

SEE SHEET 1

PCB LAYOUT

SEE SHEET 1



0-80 UNF-2A THREAD  
TORQUE TO .5-.8 INCH-POUNDS

FOR ADDITIONAL APPLICATION NOTES  
SEE SHEET 3 OF SD-73251-185

73251-3485	.13/3.2	.055+0/-0.045	1.40+0/-1.14	2
73251-3484	.38/9.5	.255+0.060/-0.02	6.48+1.52/-0.51	2
73251-3483	.25/6.4	.130+0.060/-0.01	3.30+1.52/-0.25	2
73251-3481	.19/4.8	.062+0.060/-0.01	1.57+1.52/-0.25	2
PART NO.	(IN/MM)	IN	MM	SCREW QTY
	DIM A	DIM B		

CHG: SEE SHT 1. EC NO: URF2013-0586 DRWN:JLEE02 CHKD:SSS APPR:JWIENER	2013/04/23	DESCRIPTION	QUALITY SYMBOLS	GENERAL TOLERANCES (UNLESS SPECIFIED)	DIMENSION STYLE MM/IN	SCALE	DESIGN UNITS METRIC	THIRD ANGLE PROJECTION
	2013/04/23		▽=0 ▽=0					
REV	A4							

DRAWN BY	DATE	TITLE
SSS	2008/07/16	SMA JACK, FLANGE WITH 0-80 THD, 50 OHM 27 GHZ EWR-3690 SMA-J/R/F
CHECKED BY	DATE	
AZR	2008/07/16	MOLEX INCORPORATED
APPROVED BY	DATE	
JWIENER	2010/06/09	

MATERIAL NO.	DOCUMENT NO.	SHEET NO.
SEE TABLE	SD-73251-348	2 OF 2

SIZE	THIS DRAWING CONTAINS INFORMATION THAT IS PROPRIETARY TO MOLEX INCORPORATED AND SHOULD NOT BE USED WITHOUT WRITTEN PERMISSION	
------	---	--