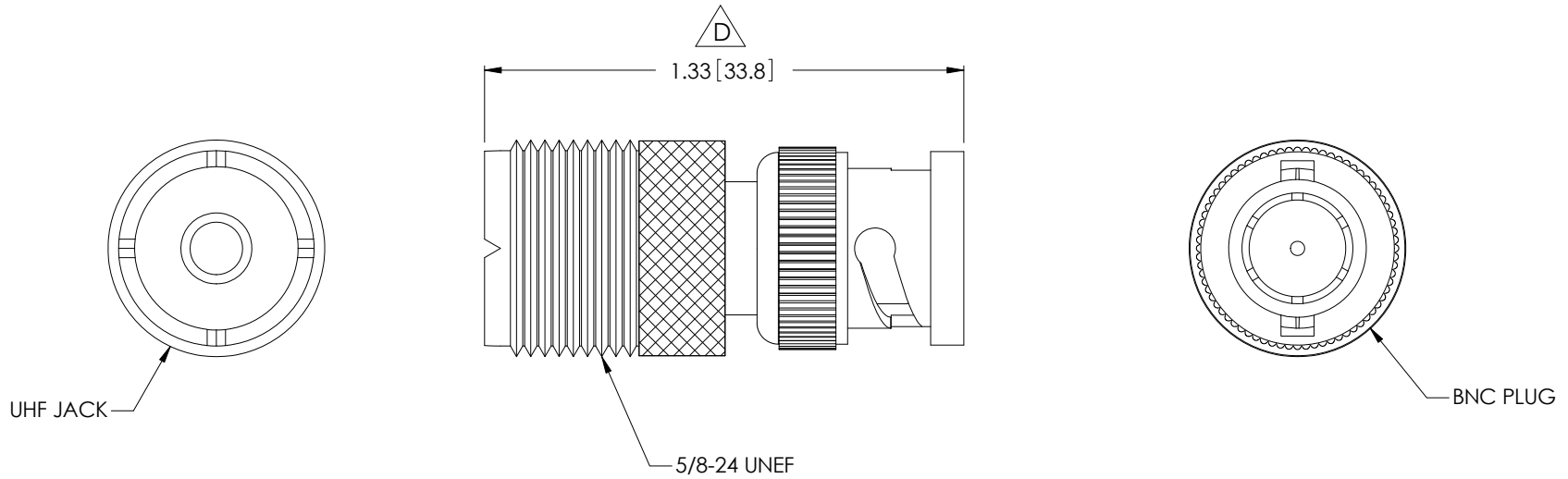


THE INFORMATION CONTAINED IN THIS DRAWING IS THE SOLE PROPERTY OF L-COM, INC. ANY REPRODUCTION IN PART OR WHOLE WITHOUT THE WRITTEN PERMISSION OF L-COM, INC. IS PROHIBITED.

REVISIONS			
REV	DESCRIPTION	DATE	APPROVED
A	RELEASED FOR PRODUCTION	12/13/01	MCCORMICK
B	ECN 3131: UPDATE DWG FORMAT	12/27/07	D.GRIFFIN
C	ECN4870: ADDED IMPEDANCE NOTE. UPDATED FORMAT.	06/28/10	DFF
D	ECN 7614 CHANGE DIM 1.35[34.3] TO 1.33[33.8], ADD PACKAGING NOTE	09/22/14	B.PUCHASKI



**NOTES:**



**PACKAGING:** COMPONENT SHALL BE INDIVIDUALLY PACKAGED IN ACCORDANCE WITH L-COM SPEC PS-0031

**MATERIAL:** BODY: BRASS  
INSULATOR: DELRIN  
CONTACT: BRASS

**FINISH:** BODY: NICKEL PLATED  
CONTACTS: GOLD PLATE

IMPEDANCE: 50Ω

**REGULATORY COMPLIANCE:**  
CE2011/65/EU(RoHS DIRECTIVE)

UNLESS OTHERWISE SPECIFIED, DIMENSIONS ARE IN INCHES [mm] OVERALL CABLE LENGTH TOLERANCE: ≤12 [305] = +1 [25] / -0 >12 [305] ≤60 [1524] = +2 [51] / -0 >60 [1524] ≤120 [3048] = +4 [102] / -0 >120 [3048] ≤300 [7620] = +6 [152] / -0 >300 [7620] = +5% / -0%	APPROVALS	DATE		45 BEECHWOOD DRIVE NORTH ANDOVER, MA 01845
	DRAWN BY MCCORMICK	12/04/01		
ALL OTHER DIMENSIONAL TOLERANCES: .X = ± .2 [5.08] .XX = ± .02 [1.51] .XXX = ±.005 [1.13]	CHECKED BY D.PARHAM	12/04/01	CATEGORY COAXIAL	
	APPROVED BY R.CARRICK	12/04/01	PRODUCT DESCRIPTION ADAPTOR BNC M/UHF F	
PROJECTION 	CONFIGURATION DETAILS OF UNDIMENSIONED FEATURES MAY VARY	COLOR VARIATIONS MAY OCCUR	SIZE <b>A</b>	FSCM NO. <b>43321</b>
REF	DWG. NO. <b>BA60</b>	SCALE: NONE	CAD FILE: BA60.SLDDRW	REV. <b>D</b>
			SHEET 1 OF 1	