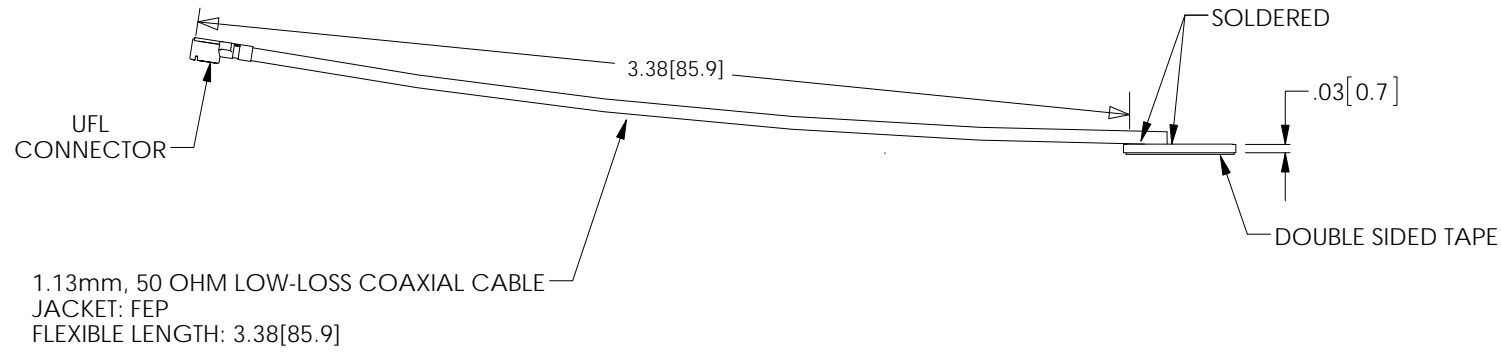


THE INFORMATION CONTAINED IN THIS DRAWING IS THE SOLE PROPERTY OF L-COM, INC. ANY REPRODUCTION IN PART OR WHOLE WITHOUT THE WRITTEN PERMISSION OF L-COM, INC. IS PROHIBITED.

REVISIONS			
REV	DESCRIPTION	DATE	APPROVED
A	INITIAL RELEASE	1/23/15	D.GRIFFIN



**NOTES:**

1. ASSEMBLY SHALL BE INDIVIDUALLY PACKAGED IN ACCORDANCE WITH L-COM SPECIFICATION PKG-00012.

-ALL DIMENSIONS FOR REFERENCE ONLY-

**REGULATORY COMPLIANCE:**  
 CE2011/65/EU(RoHS DIRECTIVE)

UNLESS OTHERWISE SPECIFIED, DIMENSIONS ARE IN INCHES [mm]  DIMENSIONAL TOLERANCES: .X = ±.1 [2.54] .XX = ±.01 [.25] .XXX = ±.005 [.13]  ANGULAR TOLERANCES: ALL = ± 1°	APPROVALS	DATE		45 BEECHWOOD DRIVE NORTH ANDOVER, MA 01845	
	DRAWN BY B. PUCHASKI	01/22/15			
	CHECKED BY K. BURGNER	01/22/15	CATEGORY	ANTENNA	
	APPROVED BY P. PESA	01/22/15	PRODUCT DESCRIPTION	5GHz 5dBi OMNI ANTENNA PCB W/ UFL CONNECTOR	
PROJECTION 	COLOR VARIATIONS MAY OCCUR	SIZE <b>A</b>	FSCM NO. <b>43321</b>	DWG. NO. HG4958-05PU-UFL	REV. <b>A</b>
		SCALE: NONE	CAD FILE: HG4958-05PU-UFL.SLDDRW	SHEET 1 OF 1	