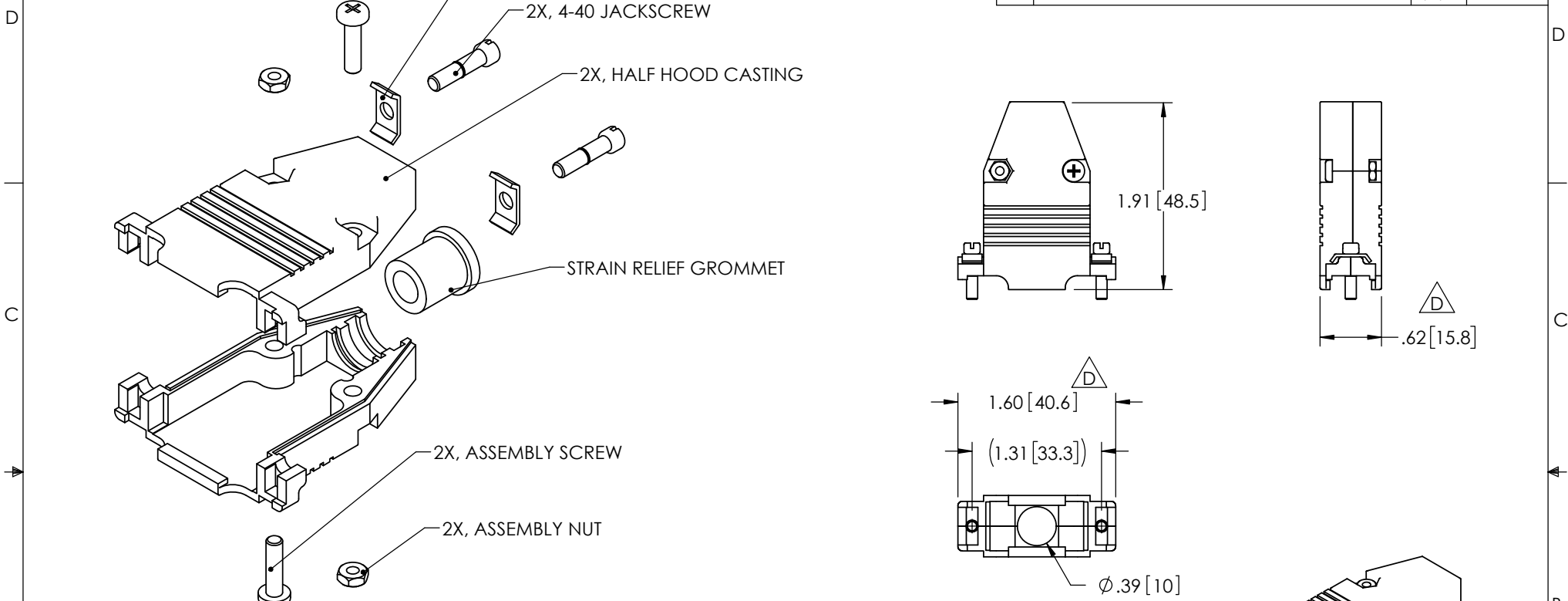


THE INFORMATION CONTAINED IN THIS DRAWING IS THE SOLE PROPERTY OF L-COM, INC. ANY REPRODUCTION IN PART OR WHOLE WITHOUT THE WRITTEN PERMISSION OF L-COM, INC. IS PROHIBITED.

REVISIONS			
REV	DESCRIPTION	DATE	APPROVED
A	INITIAL RELEASE	2/4/08	D.FRISIELLO
B	ECN: DIM .62 WAS .64; 1.60 WAS 1.58, NEW FORMAT	01/22/2020	S.PAN
C	ECN11164 DEPTH .62 TO .64 WIDTH 1.6 TO 1.58	06/04/2021	DGUITADAURG
D	ECN 11179 UNDO ECN11164 REVERT TO PREVIOUS REV B	06/10/2021	DGUITADAURG



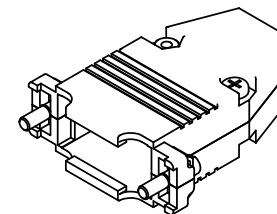
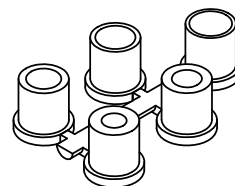
NOTES:


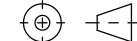
MATERIALS:
 HOOD: DIE-CAST ZINC ALLOY
 JACKSCREW: STEEL
 ASSEMBLY HARDWARE: STEEL
 STRAIN RELIEF GROMMETS: PVC, BLACK

FINISH:
 HOOD: NICKEL PLATED, MATTE FINISH ON MAJOR SURFACES
 JACKSCREW: NICKEL PLATED
 ASSEMBLY HARDWARE: NICKEL PLATED

MISCELLANEOUS:
 INTENDED FOR USE WITH 15 PIN STANDARD AND 26 PIN HIGH DENSITY D-SUBMINIATURE CONNECTORS.
 SUPPLIED WITH 5 STRAIN RELIEF GROMMETS FOR CABLING HAVING DIAMETERS RANGING FROM .190 TO .335 INCH.

REGULATORY COMPLIANCE:
 EU RoHS DIRECTIVE (MOST RECENT RELEASED VERSION)



UNLESS OTHERWISE SPECIFIED, DIMENSIONS ARE IN INCHES [mm] OVERALL CABLE LENGTH TOLERANCE: ≤12 [305] = +1 [25] / -0 >12 [305] ≤60 [1524] = +2 [51] / -0 >60 [1524] ≤120 [3048] = +4 [102] / -0 >120 [3048] ≤300 [7620] = +6 [152] / -0 >300 [7620] = +5% / -0 ALL OTHER DIMENSIONAL TOLERANCES: .X = ±.2 [5] FRACTIONS ± 1/32 .XX = ±.02 [5] ANGLES ± 1° .XXX = ±.005 [13]	APPROVALS DRAWN BY D.FRISIELLO CHECKED BY R.FORTIN APPROVED BY S.SMITH	DATE 2/4/08 2/4/08 2/4/08	 50 High Street, West Mill, North Andover, MA 01845 USA. Phone: 1.800.341.5266 1.978.682.6936
	CONFIGURATION DETAILS OF UNDIMENSIONED FEATURES MAY VARY		
THIRD-ANGLE PROJECTION 			PRODUCT DESCRIPTION DB15 & HD26 HOOD KIT
COLOR VARIATIONS MAY OCCUR REF	SIZE A CAGE CODE 43321 SCALE: NONE	DWG. NO. SDC15AG CAD FILE: SDC15AG.SLDDRW	REV. D SHEET 1 OF 1