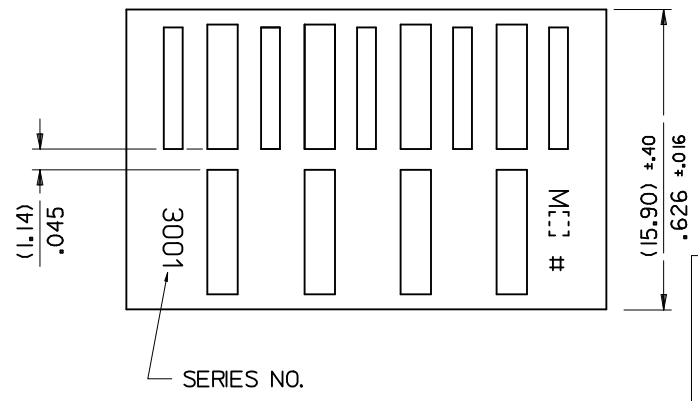
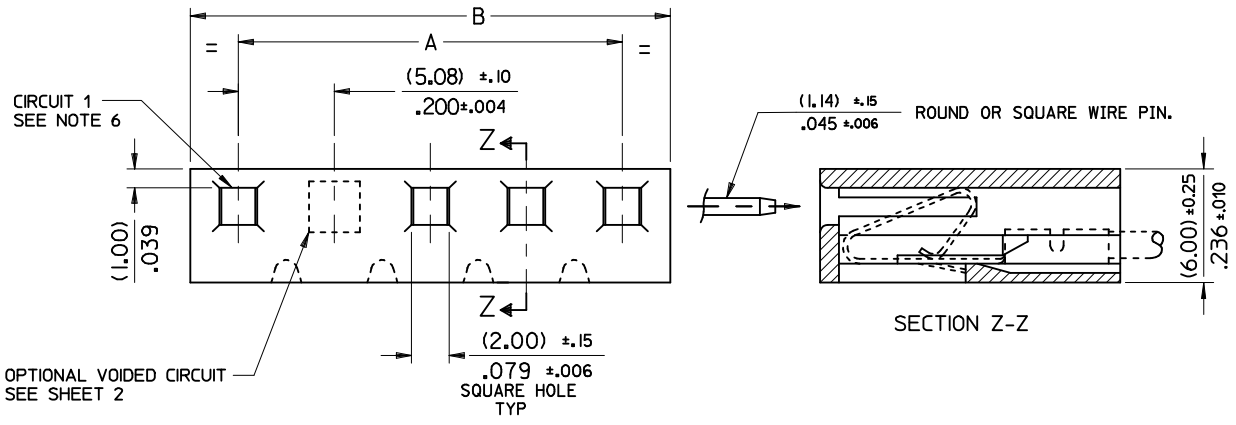


- NOTES:
1. MATERIAL: NYLON, UL94V-2, COLOR: NATURAL
 2. FINISH: N/A
 3. PRODUCT SPECIFICATION: PS-99020-0087
 4. THIS HOUSING USES KK TERMINAL SERIES 2478, 2578, AND 2878.
 5. THIS PART CONFORMS TO CLASS B REQUIREMENTS OF COSMETIC SPECIFICATION PS-45499-002.
 6. CIRCUIT 1 USED TO DEFINE VOID LOCATION.
 7. WINDOW GEOMETRY IS DEPENDENT ON MOLD. PARTS MAY HAVE EITHER GEOMETRY.



10-01-1124	E-3001-12	2.200 ±.010	2.400 ⁺⁰ _{-.012}	55.88 ±.25	60.96 ±.30
-1114	-11	2.000 ±.008	2.200 ⁺⁰ _{-.012}	50.80 ±.20	55.88 ±.30
-1104	-10	1.800 ±.008	2.000 ⁺⁰ _{-.008}	45.72 ±.20	50.80 ±.30
-1094	-9	1.600 ±.008	1.800 ⁺⁰ _{-.008}	40.64 ±.20	45.72 ±.30
-1084	-8	1.400 ±.008	1.600 ⁺⁰ _{-.008}	35.56 ±.20	40.64 ±.30
-1074	-7	1.200 ±.008	1.400 ⁺⁰ _{-.008}	30.48 ±.20	35.56 ±.30
-1064	-6	1.000 ±.004	1.200 ⁺⁰ _{-.008}	25.40 ±.10	30.48 ±.30
-1054	-5	.800 ±.004	1.000 ⁺⁰ _{-.008}	20.32 ±.10	25.40 ±.30
-1044	-4	.600 ±.004	.800 ⁺⁰ _{-.008}	15.24 ±.10	20.32 ±.30
-1034	-3	.400 ±.004	.600 ⁺⁰ _{-.008}	10.16 ±.10	15.24 ±.30
10-01-1024	E-3001-2	.200 ±.004	.400 ⁺⁰ _{-.008}	5.08 ±.10	10.16 ±.30
PART No.	ENG. No.	ENGLISH		METRIC	

CCORRECT 6.00 DIM. EC NO: UCP/2013-2588 DRW:MK/PPER 2013/03/12 CHKD:ANDERSON 2013/03/12 APPR:FSM/TH 2013/04/03	QUALITY SYMBOLS	GENERAL TOLERANCES (UNLESS SPECIFIED)	DIMENSION STYLE	SCALE	DESIGN UNITS	THIRD ANGLE PROJECTION
	$F_A=0$ $F_C=0$ $F_P=0$	mm INCH 4 PLACES ± --- ± --- 3 PLACES ± --- ± .010 2 PLACES ± 0.25 ± .014 1 PLACE ± 0.35 ± --- 0 PLACE ± ±	MM/IN	1:1	METRIC	
	ANGULAR ±1/2° DRAFT WHERE APPLICABLE MUST REMAIN WITHIN DIMENSIONS	DRAWN BY: P. MOORE DATE: 1998/09/15 CHECKED BY: MGOONEY DATE: 1999/03/12 APPROVED BY: FSMITH DATE: 2010/12/06	TITLE	KK (5.08)/.200 CRIMP TERMINAL HOUSING		
		MATERIAL NO. DOCUMENT NO. SHEET NO. SEE CHART SDE-3001-N-* 1 OF 2				

