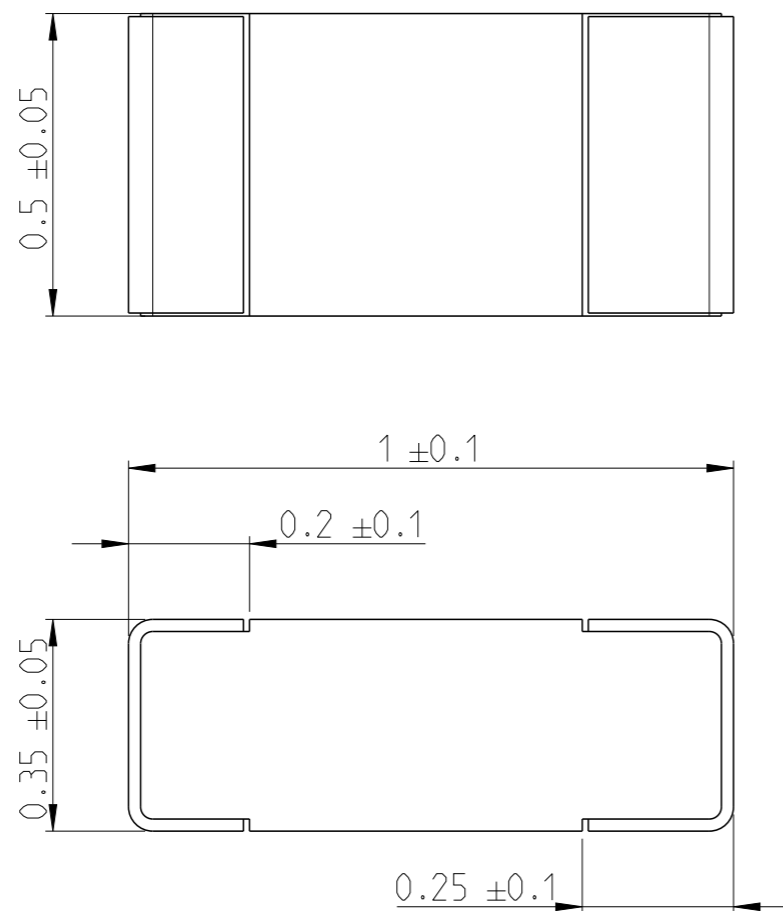


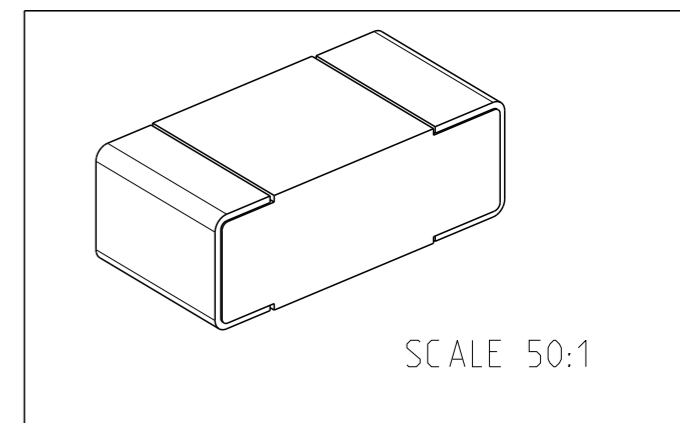
REVISIONS

P	LTR	DESCRIPTION	DATE	DWN	APVD
	BB	NEW RELEASE	15DEC2021	DM	AP

FOR FURTHER INFORMATION SEE DATA SHEET FOR CRG SERIES-THICK FILM CHIP RESISTORS



RoHS Compliant



SCALE 50:1


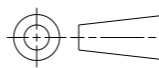
THIS DRAWING IS A CONTROLLED DOCUMENT.		DWN DHEERAJ M 15DEC2021																	
DIMENSIONS: mm		CHK ALLAN P 15DEC2021																	
TOLERANCES UNLESS OTHERWISE SPECIFIED:		APVD ALLAN P 15DEC2021	NAME RESISTOR LAB KIT TYPE CRG0402 5% SERIES																
<table border="1"> <tr><td>0 PLC</td><td>± 0.5</td></tr> <tr><td>1 PLC</td><td>± 0.2</td></tr> <tr><td>2 PLC</td><td>± 0.2</td></tr> <tr><td>3 PLC</td><td>± -</td></tr> <tr><td>4 PLC</td><td>± -</td></tr> <tr><td>ANGLES</td><td>± - ± 5°</td></tr> </table>		0 PLC	± 0.5	1 PLC	± 0.2	2 PLC	± 0.2	3 PLC	± -	4 PLC	± -	ANGLES	± - ± 5°	PRODUCT SPEC -	APPLICATION SPEC -	SIZE A3	CAGE CODE 00779	DRAWING NO C=1625873-1	RESTRICTED TO -
0 PLC	± 0.5																		
1 PLC	± 0.2																		
2 PLC	± 0.2																		
3 PLC	± -																		
4 PLC	± -																		
ANGLES	± - ± 5°																		
MATERIAL -		FINISH -	WEIGHT -	CUSTOMER DRAWING		SCALE 80:1	SHEET 1 OF 2	REV BB											

REVISIONS

P	LTR	DESCRIPTION	DATE	DWN	APVD
	-	SEE SHEET 1	-	-	-

Part Number	Product Number	Description	Qty / Kit
1622826-5	CRG0402J10R	CRG0402 5% 10R	100
1622826-9	CRG0402J12R	CRG0402 5% 12R	100
1-1622826-3	CRG0402J15R	CRG0402 5% 15R	100
1-1622826-7	CRG0402J18R	CRG0402 5% 18R	100
2-1622826-6	CRG0402J22R	CRG0402 5% 22R	100
3-1622826-0	CRG0402J27R	CRG0402 5% 27R	100
3-1622826-6	CRG0402J33R	CRG0402 5% 33R	100
4-1622826-0	CRG0402J39R	CRG0402 5% 39R	100
4-1622826-6	CRG0402J47R	CRG0402 5% 47R	100
5-1622826-1	CRG0402J56R	CRG0402 5% 56R	100
5-1622826-6	CRG0402J68R	CRG0402 5% 68R	100
5-1622826-8	CRG0402J75R	CRG0402 5% 75R	100
6-1622826-2	CRG0402J82R	CRG0402 5% 82R	100
1622826-3	CRG0402J100R	CRG0402 5% 100R	100
1622826-7	CRG0402J120R	CRG0402 5% 120R	100
1-1622826-1	CRG0402J150R	CRG0402 5% 150R	100
1-1622826-5	CRG0402J180R	CRG0402 5% 180R	100
2-1622826-4	CRG0402J220R	CRG0402 5% 220R	100
2-1622826-8	CRG0402J270R	CRG0402 5% 270R	100
3-1622826-4	CRG0402J330R	CRG0402 5% 330R	100
3-1622826-8	CRG0402J390R	CRG0402 5% 390R	100
4-1622826-4	CRG0402J470R	CRG0402 5% 470R	100
4-1622826-9	CRG0402J560R	CRG0402 5% 560R	100
5-1622826-4	CRG0402J680R	CRG0402 5% 680R	100
6-1622826-0	CRG0402J820R	CRG0402 5% 820R	100
1-1622826-8	CRG0402J1K0	CRG0402 5% 1K0	100
1-1622826-9	CRG0402J1K2	CRG0402 5% 1K2	100
2-1622826-0	CRG0402J1K5	CRG0402 5% 1K5	100
2-1622826-1	CRG0402J1K8	CRG0402 5% 1K8	100
3-1622826-1	CRG0402J2K2	CRG0402 5% 2K2	100
3-1622826-2	CRG0402J2K7	CRG0402 5% 2K7	100

Part Number	Product Number	Description	Qty / Kit
4-1622826-1	CRG0402J3K3	CRG0402 5% 3K3	100
4-1622826-2	CRG0402J3K9	CRG0402 5% 3K9	100
4-1622826-7	CRG0402J4K7	CRG0402 5% 4K7	100
5-1622826-2	CRG0402J5K6	CRG0402 5% 5K6	100
5-1622826-7	CRG0402J6K8	CRG0402 5% 6K8	100
6-1622826-3	CRG0402J8K2	CRG0402 5% 8K2	100
1622826-4	CRG0402J10K	CRG0402 5% 10K	100
1622826-8	CRG0402J12K	CRG0402 5% 12K	100
1-1622826-2	CRG0402J15K	CRG0402 5% 15K	100
1-1622826-6	CRG0402J18K	CRG0402 5% 18K	100
2-1622826-5	CRG0402J22K	CRG0402 5% 22K	100
2-1622826-9	CRG0402J27K	CRG0402 5% 27K	100
3-1622826-5	CRG0402J33K	CRG0402 5% 33K	100
3-1622826-9	CRG0402J39K	CRG0402 5% 39K	100
4-1622826-5	CRG0402J47K	CRG0402 5% 47K	100
5-1622826-0	CRG0402J56K	CRG0402 5% 56K	100
5-1622826-5	CRG0402J68K	CRG0402 5% 68K	100
6-1622826-1	CRG0402J82K	CRG0402 5% 82K	100
1622826-2	CRG0402J100K	CRG0402 5% 100K	100
1622826-6	CRG0402J120K	CRG0402 5% 120K	100
1-1622826-0	CRG0402J150K	CRG0402 5% 150K	100
1-1622826-4	CRG0402J180K	CRG0402 5% 180K	100
2-1622826-3	CRG0402J220K	CRG0402 5% 220K	100
2-1622826-7	CRG0402J270K	CRG0402 5% 270K	100
3-1622826-3	CRG0402J330K	CRG0402 5% 330K	100
3-1622826-7	CRG0402J390K	CRG0402 5% 390K	100
4-1622826-3	CRG0402J470K	CRG0402 5% 470K	100
4-1622826-8	CRG0402J560K	CRG0402 5% 560K	100
5-1622826-3	CRG0402J680K	CRG0402 5% 680K	100
5-1622826-9	CRG0402J820K	CRG0402 5% 820K	100
2-1622826-2	CRG0402J1M0	CRG0402 5% 1M0	100

THIS DRAWING IS A CONTROLLED DOCUMENT.		DWN DHEERAJ M 15DEC 2021	 TE Connectivity	
DIMENSIONS: mm		CHK ALLAN P 15DEC 2021		
TOLERANCES UNLESS OTHERWISE SPECIFIED:		APVD ALLAN P 15DEC 2021	NAME RESISTOR LAB KIT TYPE CRG0402 5% SERIES	
		PRODUCT SPEC -	RESTRICTED TO -	
MATERIAL -		FINISH -	APPLICATION SPEC -	SCALE 80:1
		WEIGHT -	SIZE A3	CAGE CODE 00779
			DRAWING NO C-1625873-1	SHEET 2 OF 2
			CUSTOMER DRAWING	REV BB