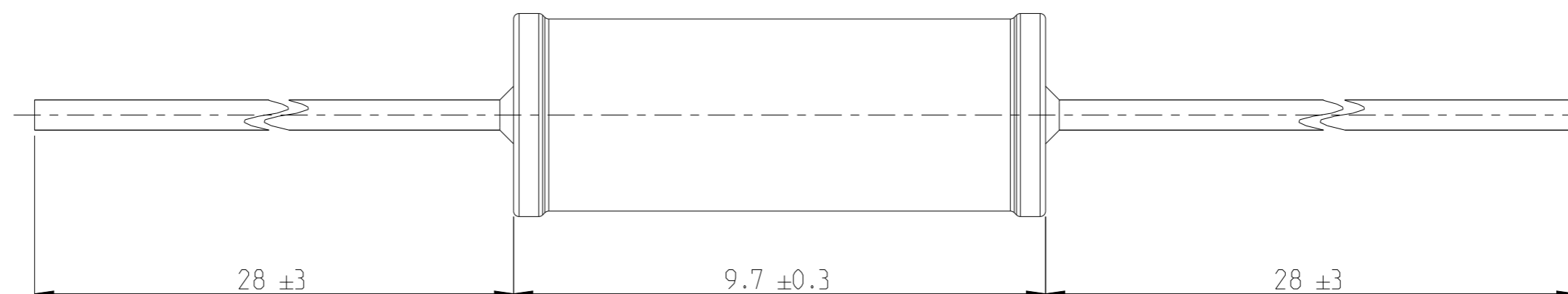
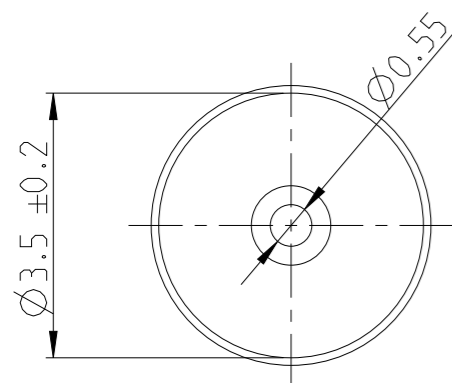


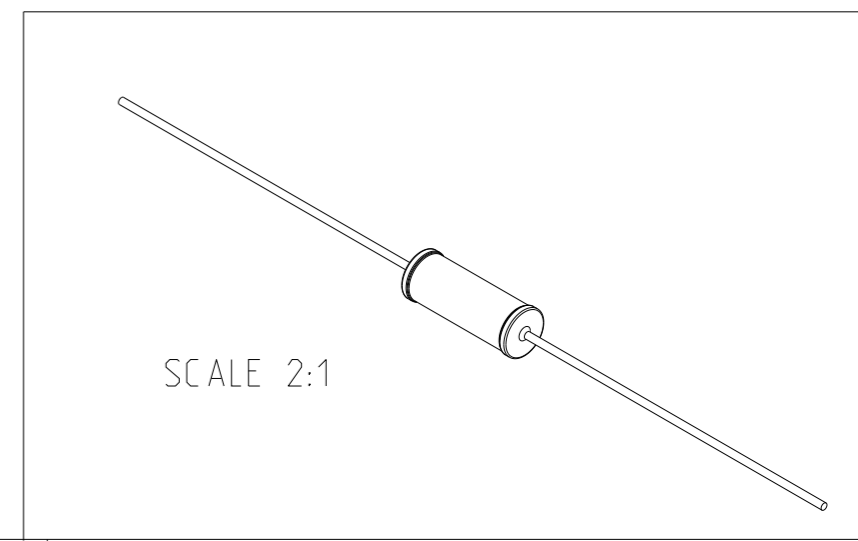
REVISIONS


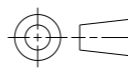
P	LTR	DESCRIPTION	DATE	DWN	APVD
	BB	NEW RELEASE	15DEC2021	DM	AP

FOR FURTHER INFORMATION SEE DATA SHEET FOR SERIES LR, METAL FILM FIXED RESISTORS



RoHS Compliant




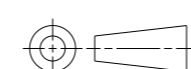
THIS DRAWING IS A CONTROLLED DOCUMENT.		DWN	15DEC2021		 TE Connectivity NAME RESISTOR LAB KIT TYPE LR2 SERIES
DIMENSIONS: mm		CHK	15DEC2021		
		APVD	15DEC2021		
TOLERANCES UNLESS OTHERWISE SPECIFIED: 0 PLC ± 0.2 1 PLC ± 0.1 2 PLC ± - 3 PLC ± - 4 PLC ± - ANGLES ± 5°		PRODUCT SPEC	-		
MATERIAL		APPLICATION SPEC		-	
-		WEIGHT		-	
-		CUSTOMER DRAWING		SIZE	A3
				CAGE CODE	00779
				DRAWING NO	1-1625873-2
				RESTRICTED TO	-
				SCALE	10:1
				SHEET	1 OF 3
				REV	BB

REVISIONS

P	LTR	DESCRIPTION	DATE	DWN	APVD
	-	SEE SHEET 1	-	-	-

Part Number	Product Number	Description	Qty / Kit
1622675-1	LR2F10R	LR2 1% 10R	20
1622683-1	LR2F12R	LR2 1% 12R	20
1622687-1	LR2F13R	LR2 1% 13R	20
1622691-1	LR2F15R	LR2 1% 15R	20
1622695-1	LR2F16R	LR2 1% 16R	20
1622699-1	LR2F18R	LR2 1% 18R	20
1622715-1	LR2F22R	LR2 1% 22R	20
1622719-1	LR2F24R	LR2 1% 24R	20
1622723-1	LR2F27R	LR2 1% 27R	20
1622731-1	LR2F30R	LR2 1% 30R	20
1622735-1	LR2F33R	LR2 1% 33R	20
1622739-1	LR2F36R	LR2 1% 36R	20
1622743-1	LR2F39R	LR2 1% 39R	20
1622751-1	LR2F43R	LR2 1% 43R	20
1622755-1	LR2F47R	LR2 1% 47R	20
1622761-1	LR2F51R	LR2 1% 51R	20
1622771-1	LR2F62R	LR2 1% 62R	20
1622775-1	LR2F68R	LR2 1% 68R	20
1622781-1	LR2F75R	LR2 1% 75R	20
1622786-1	LR2F82R	LR2 1% 82R	20
1622791-1	LR2F91R	LR2 1% 91R	20
1622673-1	LR2F100R	LR2 1% 100R	20
1622677-1	LR2F110R	LR2 1% 110R	20
1622681-1	LR2F120R	LR2 1% 120R	20
1622685-1	LR2F130R	LR2 1% 130R	20
1622689-1	LR2F150R	LR2 1% 150R	20
1622693-1	LR2F160R	LR2 1% 160R	20
1622697-1	LR2F180R	LR2 1% 180R	20
1622709-1	LR2F200R	LR2 1% 200R	20
1622713-1	LR2F220R	LR2 1% 220R	20

Part Number	Product Number	Description	Qty / Kit
1622717-1	LR2F240R	LR2 1% 240R	20
1622721-1	LR2F270R	LR2 1% 270R	20
1622729-1	LR2F300R	LR2 1% 300R	20
1622733-1	LR2F330R	LR2 1% 330R	20
1622737-1	LR2F360R	LR2 1% 360R	20
1622741-1	LR2F390R	LR2 1% 390R	20
1622749-1	LR2F430R	LR2 1% 430R	20
1622753-1	LR2F470R	LR2 1% 470R	20
1622759-1	LR2F510R	LR2 1% 510R	20
1622763-1	LR2F560R	LR2 1% 560R	20
1622769-1	LR2F620R	LR2 1% 620R	20
1622773-1	LR2F680R	LR2 1% 680R	20
1622779-1	LR2F750R	LR2 1% 750R	20
1622784-1	LR2F820R	LR2 1% 820R	20
1622789-1	LR2F910R	LR2 1% 910R	20
1622700-1	LR2F1K0	LR2 1% 1K0	20
1622701-1	LR2F1K1	LR2 1% 1K1	20
1622702-1	LR2F1K2	LR2 1% 1K2	20
1622703-1	LR2F1K3	LR2 1% 1K3	20
1622704-1	LR2F1K5	LR2 1% 1K5	20
1622705-1	LR2F1K6	LR2 1% 1K6	20
1622706-1	LR2F1K8	LR2 1% 1K8	20
1622724-1	LR2F2K0	LR2 1% 2K0	20
1622725-1	LR2F2K2	LR2 1% 2K2	20
1622726-1	LR2F2K4	LR2 1% 2K4	20
1622727-1	LR2F2K7	LR2 1% 2K7	20
1622744-1	LR2F3K0	LR2 1% 3K0	20
1622745-1	LR2F3K3	LR2 1% 3K3	20
1622746-1	LR2F3K6	LR2 1% 3K6	20


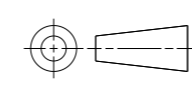
THIS DRAWING IS A CONTROLLED DOCUMENT.		DWN DHEERAJ M 15DEC 2021	 TE Connectivity	
DIMENSIONS: mm		CHK ALLAN P 15DEC 2021		
TOLERANCES UNLESS OTHERWISE SPECIFIED:		APVD ALLAN P 15DEC 2021	NAME RESISTOR LAB KIT TYPE LR2 SERIES	
		PRODUCT SPEC -	APPLICATION SPEC -	
MATERIAL -		FINISH -	WEIGHT -	RESTRICTED TO -
-		SCALE 10:1		SHEET 2 OF 3
-		CUSTOMER DRAWING		REV BB

REVISIONS

P	LTR	DESCRIPTION	DATE	DWN	APVD
	-	SEE SHEET 1	-	-	-

Part Number	Product Number	Description	Qty / Kit
1622747-1	LR2F3K9	LR2 1% 3K9	20
1622756-1	LR2F4K3	LR2 1% 4K3	20
1622757-1	LR2F4K7	LR2 1% 4K7	20
1622766-1	LR2F5K1	LR2 1% 5K1	20
1622767-1	LR2F5K6	LR2 1% 5K6	20
1622776-1	LR2F6K2	LR2 1% 6K2	20
1622777-1	LR2F6K8	LR2 1% 6K8	20
1622782-1	LR2F7K5	LR2 1% 7K5	20
1622787-1	LR2F8K2	LR2 1% 8K2	20
1622792-1	LR2F9K1	LR2 1% 9K1	20
1622674-1	LR2F10K	LR2 1% 10K	20
1622678-1	LR2F11K	LR2 1% 11K	20
1622682-1	LR2F12K	LR2 1% 12K	20
1622686-1	LR2F13K	LR2 1% 13K	20
1622690-1	LR2F15K	LR2 1% 15K	20
1622694-1	LR2F16K	LR2 1% 16K	20
1622698-1	LR2F18K	LR2 1% 18K	20
1622710-1	LR2F20K	LR2 1% 20K	20
1622714-2	LR2F22K	LR2 1% 22K	20
1622718-1	LR2F24K	LR2 1% 24K	20
1622722-1	LR2F27K	LR2 1% 27K	20
1622730-1	LR2F30K	LR2 1% 30K	20
1622734-1	LR2F33K	LR2 1% 33K	20
1622738-1	LR2F36K	LR2 1% 36K	20
1622742-1	LR2F39K	LR2 1% 39K	20
1622750-1	LR2F43K	LR2 1% 43K	20
1622754-1	LR2F47K	LR2 1% 47K	20
1622760-1	LR2F51K	LR2 1% 51K	20
1622764-1	LR2F56K	LR2 1% 56K	20
1622770-1	LR2F62K	LR2 1% 62K	20

Part Number	Product Number	Description	Qty / Kit
1622774-1	LR2F68K	LR2 1% 68K	20
1622780-1	LR2F75K	LR2 1% 75K	20
1622785-1	LR2F82K	LR2 1% 82K	20
1622790-1	LR2F91K	LR2 1% 91K	20
1622672-1	LR2F100K	LR2 1% 100K	20
1622676-1	LR2F110K	LR2 1% 110K	20
1622680-1	LR2F120K	LR2 1% 120K	20
1622684-1	LR2F130K	LR2 1% 130K	20
1622688-1	LR2F150K	LR2 1% 150K	20
1622692-1	LR2F160K	LR2 1% 160K	20
1622696-1	LR2F180K	LR2 1% 180K	20
1622708-1	LR2F200K	LR2 1% 200K	20
1622712-1	LR2F220K	LR2 1% 220K	20
1622716-1	LR2F240K	LR2 1% 240K	20
1622720-1	LR2F270K	LR2 1% 270K	20
1622728-1	LR2F300K	LR2 1% 300K	20
1622732-1	LR2F330K	LR2 1% 330K	20
1622736-1	LR2F360K	LR2 1% 360K	20
1622740-1	LR2F390K	LR2 1% 390K	20
1622748-1	LR2F430K	LR2 1% 430K	20
1622752-1	LR2F470K	LR2 1% 470K	20
1622758-1	LR2F510K	LR2 1% 510K	20
1622762-1	LR2F560K	LR2 1% 560K	20
1622768-1	LR2F620K	LR2 1% 620K	20
1622772-1	LR2F680K	LR2 1% 680K	20
1622778-1	LR2F750K	LR2 1% 750K	20
1622783-1	LR2F820K	LR2 1% 820K	20
1622788-1	LR2F910K	LR2 1% 910K	20
1622707-1	LR2F1M0	LR2 1% 1M0	20

THIS DRAWING IS A CONTROLLED DOCUMENT.		DWN DHEERAJ M 15DEC 2021	 TE Connectivity	
DIMENSIONS: mm		CHK ALLAN P 15DEC 2021		
TOLERANCES UNLESS OTHERWISE SPECIFIED:		APVD ALLAN P 15DEC 2021	NAME RESISTOR LAB KIT TYPE LR2 SERIES	
		PRODUCT SPEC -	APPLICATION SPEC -	
MATERIAL -		FINISH -	WEIGHT -	RESTRICTED TO -
CUSTOMER DRAWING			SIZE A3	CAGE CODE 00779
SCALE 10:1			DRAWING NO C-1-1625873-2	REV BB