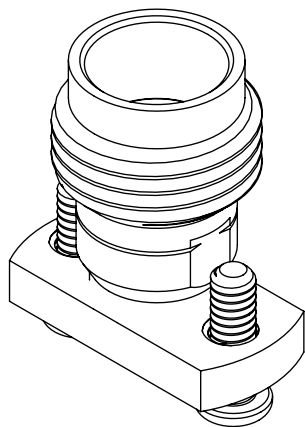
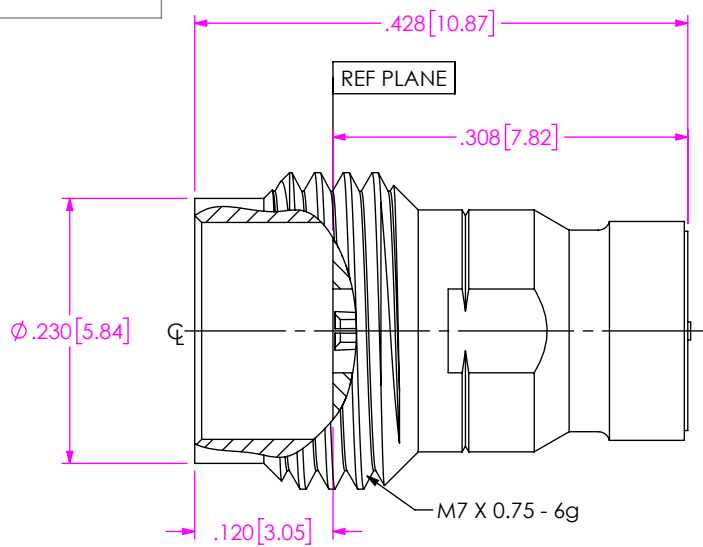


DESIGNED AND DIMENSIONED IN INCHES[MILLIMETERS]  
ALL DIMENSIONS REFERENCE EXCEPT AS SHOWN

DO NOT SCALE FROM THIS PRINT



**185-J-P-EP-ST-CM-X-X**

**SERIES**  
185: 1.85MM

**GENDER**  
-J: JACK

**TYPE**  
-P: PCB

**FINISH**  
-EP: 50µ" EXTRA HEAVY GOLD CENTER CONTACT, PASSIVATED OUTER CONTACT

**PACKAGING**  
-K: INDIVIDUALLY BAGGED  
-BLANK: TRAYS

**OPTION**  
-1: OPTION 1 (WITHOUT SCREWS)  
-2: OPTION 2 (WITH SCREWS)

**TERMINATION**  
-CM: COMPRESSION MOUNT STRIPLINE

**ORIENTATION**  
-ST: STRAIGHT

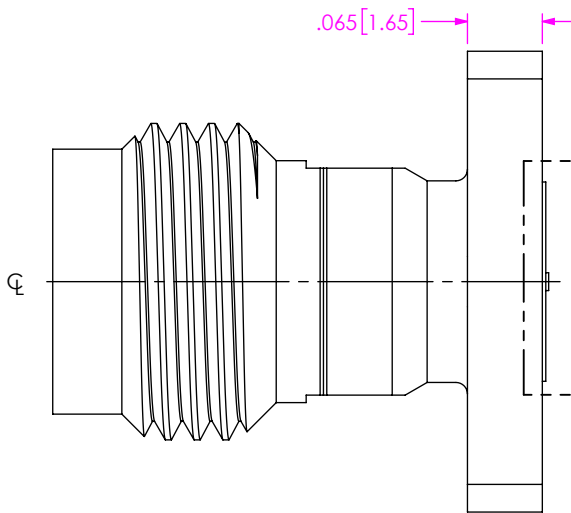
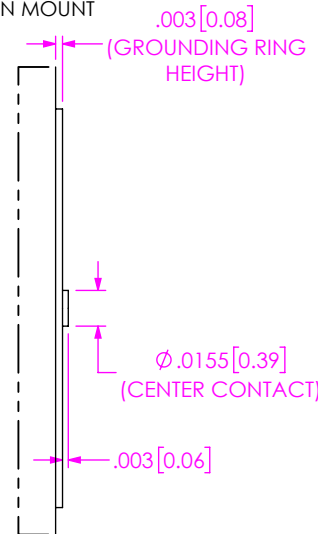
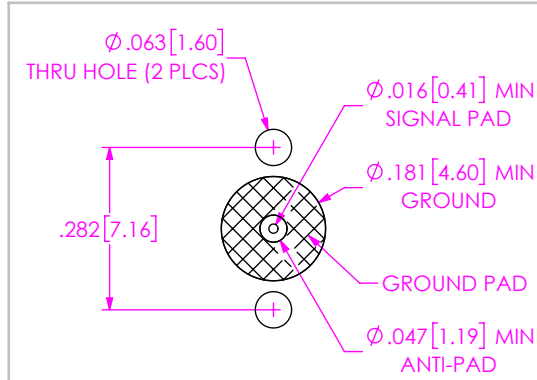
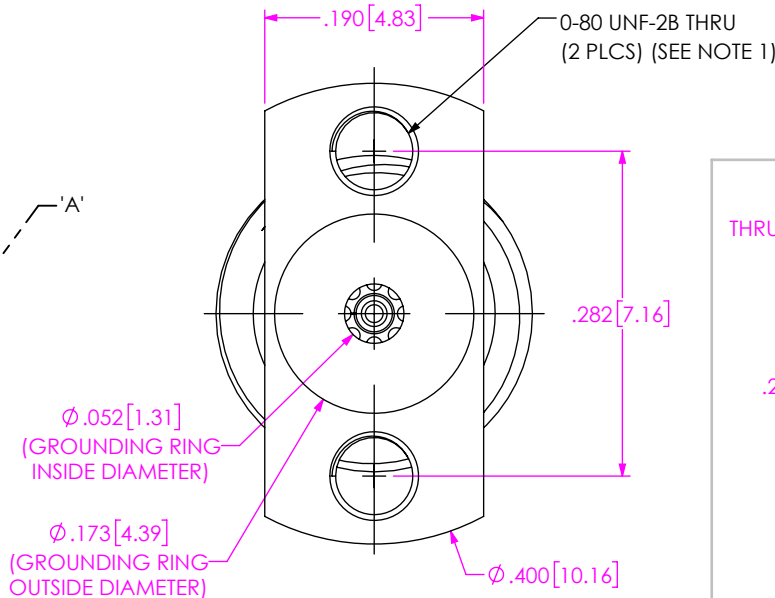


FIG 1  
185-J-P-EP-ST-CM-1 SHOWN



RECOMMENDED PCB LAYOUT  
(SEE NOTE 2)

NOTES:

1. RECOMMENDED TORQUE 0.5~0.8 INCH-POUNDS.
2. THIS IS A GENERAL FOOTPRINT AND IS NOT OPTIMIZED FOR ELECTRICAL PERFORMANCE, CONTACT SIG@SAMTEC.COM FOR ASSISTANCE WITH ELECTRICAL LAYOUT.

**PROPRIETARY NOTE**  
THIS DOCUMENT CONTAINS CONFIDENTIAL AND PROPRIETARY INFORMATION AND ALL DESIGN, MANUFACTURING, REPRODUCTION, USE, PATENT RIGHTS AND SALES RIGHTS ARE EXPRESSLY RESERVED BY SAMTEC, INC. THIS DOCUMENT SHALL NOT BE DISCLOSED, IN WHOLE OR PART, TO ANY UNAUTHORIZED PERSON OR ENTITY NOR REPRODUCED, TRANSFERRED OR INCORPORATED IN ANY OTHER PROJECT IN ANY MANNER WITHOUT THE EXPRESS WRITTEN CONSENT OF SAMTEC, INC.

DO NOT SCALE DRAWING  
SHEET SCALE: 6:1

MATERIAL:  
BODY, BUSHING & SCREW: STAINLESS STEEL  
SOCKET: COPPER ALLOY

**samtec**  
520 PARK EAST BLVD, NEW ALBANY, IN 47150  
PHONE: 812-944-6733 FAX: 812-948-5047  
e-Mail: info@SAMTEC.com code: 55322

DESCRIPTION:  
1.85MM ST JACK FOR COMPRESSION MOUNT STRIPLINE

DWG. NO.  
**185-J-P-EP-ST-CM-X-X**