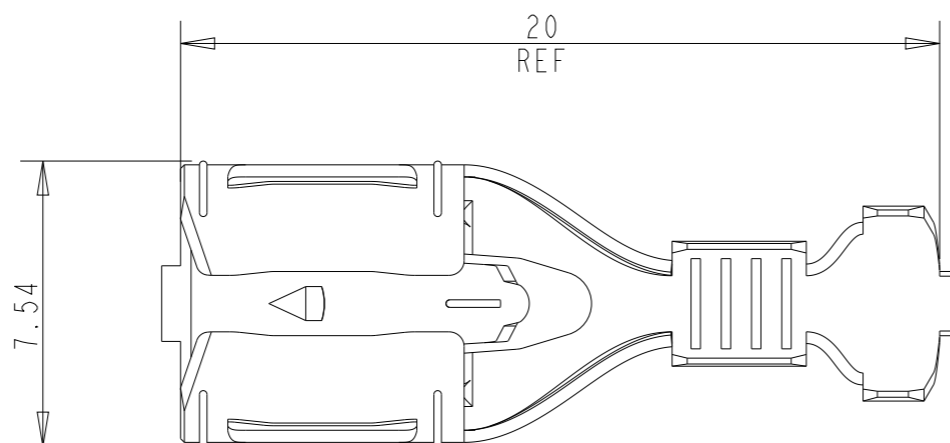
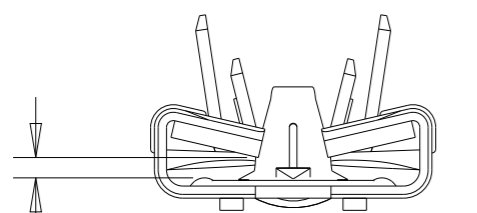


REVISIONS

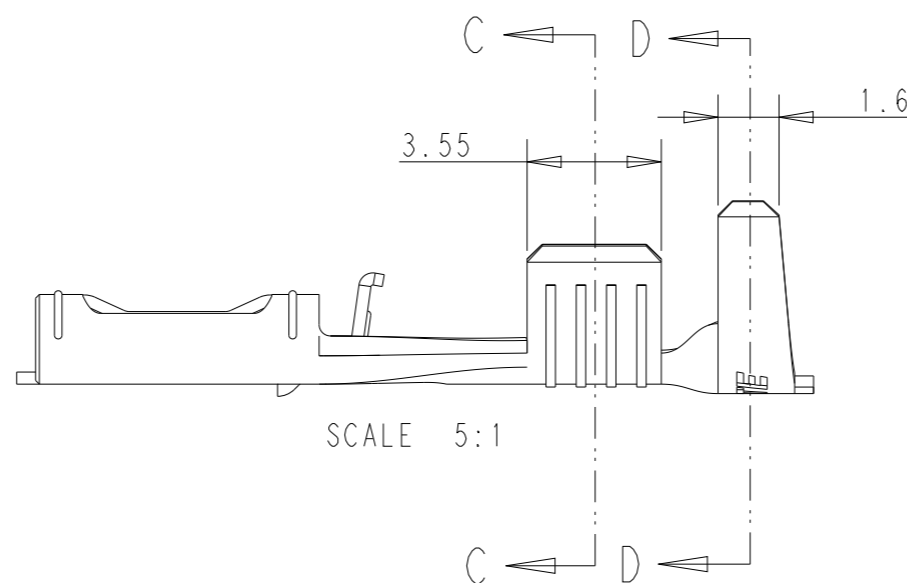
| P | LTR | DESCRIPTION     | DATE    | DWN | APVD |
|---|-----|-----------------|---------|-----|------|
| A |     | INITIAL RELEASE | 09NOV21 | DT  | EW   |



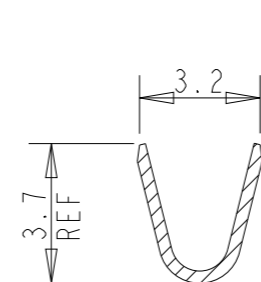
- NOTES;  
 1. CONTINUOUS STRIP ON REELS  
 2. WIRE RANGE: 18-14AWG  
 INSULATION RANGE: 2.3-3.4mm<sup>2</sup>



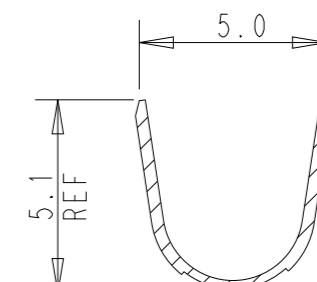
MATING WITH 0.8mm TAB



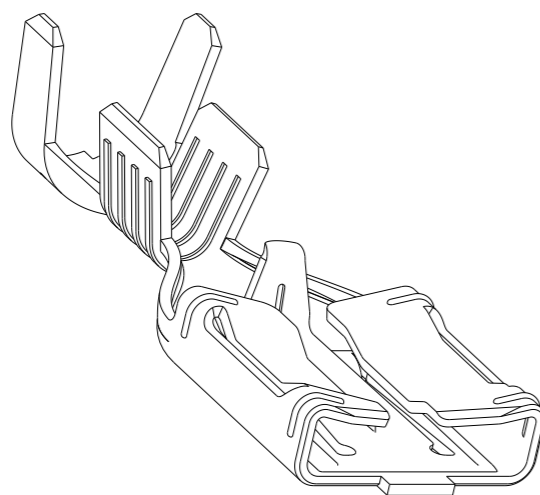
SCALE 5:1



SECTION C-C



SECTION D-D



|         |          |           |
|---------|----------|-----------|
| PRE-TIN | BRASS    | 2379911-1 |
| PLATING | MATERIAL | PN        |

THIS DRAWING IS A CONTROLLED DOCUMENT.

|                   |  |
|-------------------|--|
| DIMENSIONS:<br>mm |  |
|                   |  |
| MATERIAL          |  |

|  |       |
|--|-------|
| TOLERANCES UNLESS OTHERWISE SPECIFIED: |       |
| 0 PLC                                  | ±-    |
| 1 PLC                                  | ±0.3  |
| 2 PLC                                  | ±0.25 |
| 3 PLC                                  | ±0.2  |
| 4 PLC                                  | ±-    |
| ANGLES                                 | ±3    |
| FINISH                                 |       |

|                  |            |           |
|------------------|------------|-----------|
| DWN              | DON TANG   | 09-Nov-21 |
| CHK              | DAISY LI   | 09-Nov-21 |
| APVD             | ERIC WANG  | 09-Nov-21 |
| PRODUCT SPEC     | 108-106568 |           |
| APPLICATION SPEC | 114-106568 |           |
| WEIGHT           | -          |           |
| CUSTOMER DRAWING |            |           |

|       |           |            |               |       |  |                                  |     |   |
|-------|-----------|------------|---------------|-------|--|----------------------------------|-----|---|
|       |           |            |               | NAME  |  | 250 F-SPRING REC. 18-14 AWG TPBR |     |   |
|       |           |            |               | -     |  | -                                |     |   |
| SIZE  | CAGE CODE | DRAWING NO | RESTRICTED TO |       |  |                                  |     |   |
| A3    | 00779     | ©-2379911  | -             |       |  |                                  |     |   |
| SCALE |           |            | 5:1           | SHEET |  | 1 OF 1                           | REV | A |