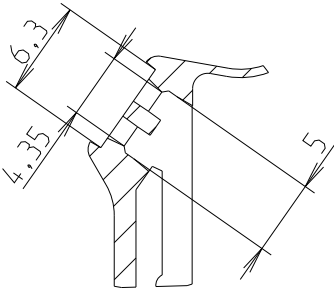
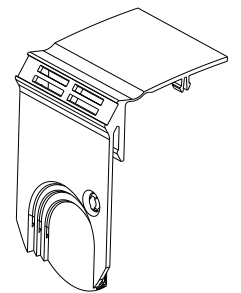
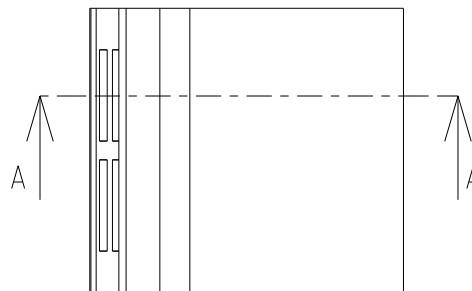
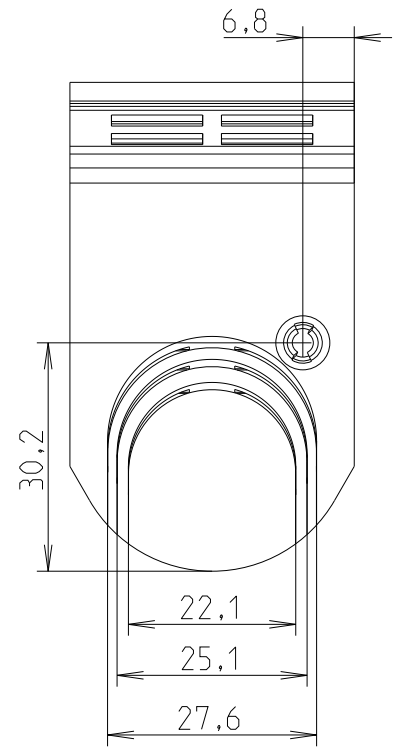
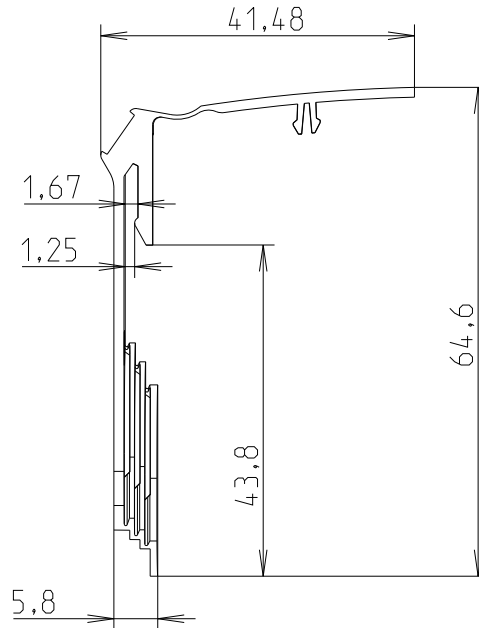
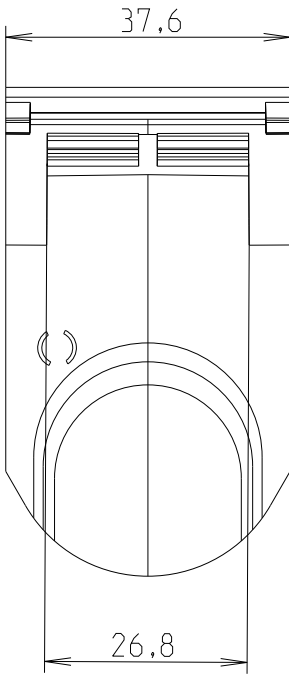


REVISIONS

P	LTR	DESCRIPTION	DATE	DWN	APVD
	A	INITIAL REVISION	02MAR2022	RM	SB



SECTION A-A
SCALE 2:1



SCALE 1:2


PART NO.

1SNF946710R0000

© 2022 TE Connectivity. All Rights Reserved.

Note:

1. Measures To Be Checked.
2. Important Attribute.
3. Colour Light Grey Ral7035.
4. Free Of Burrs And Flash.
5. No Re-Granulate Allowed.

DIMENSIONS: mm		DWN 21-Mar-22 04:59:01 AM Singh, Pavan K	MATERIAL LATAMID 6 H2	FINISH -			
TOLERANCES UNLESS OTHERWISE SPECIFIED:		CHK Pavan, Singn 2022-03-01	 TE Connectivity				
0 PLC ± 1 PLC ±1 2 PLC ±1 3 PLC ±1 4 PLC ±1 ANGLES ±		APVD Saurabh, Bisht 2022-03-01					
		PRODUCT SPEC -	NAME CBS300-COVER-GRAY				
		APPLICATION SPEC -	SIZE A 4	CAGE CODE 00779	DRAWING NO C=1SNP300341-0100	RESTRICTED TO -	
		WEIGHT -	CUSTOMER DRAWING		SCALE 1:1	SHEET 1 OF 1	REV A2