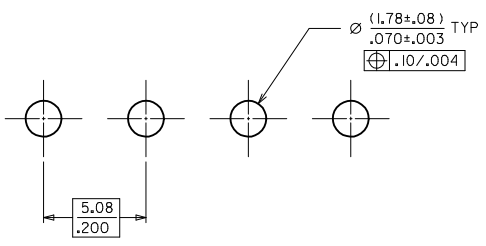
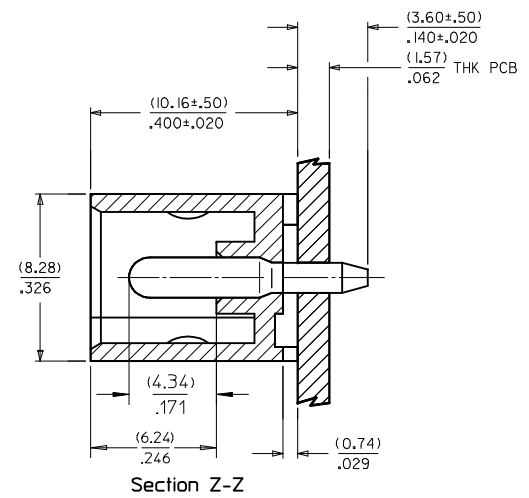
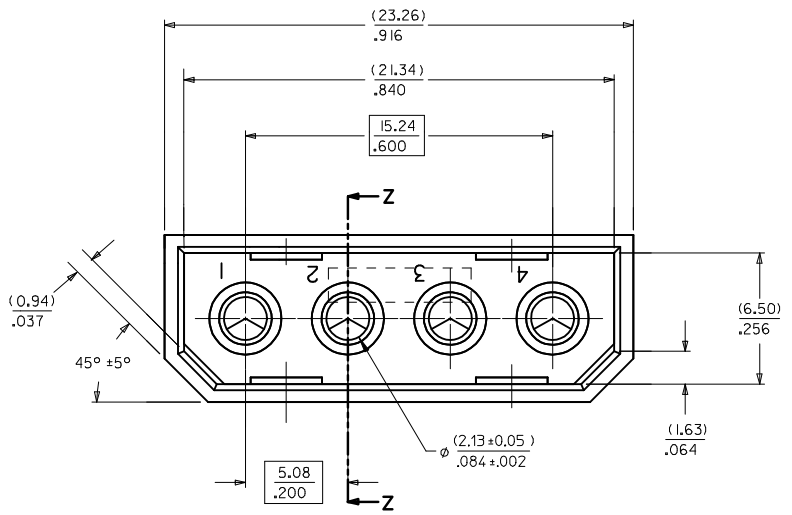


MAT'L NO.	ENG NO.
15-24-4449	A-8981-4V-LF



RECOMMENDED P C B HOLE LAYOUT

**NOTES:**

- PART TO MATE WITH HOUSING 8981-4P AND TERMINAL 8980-3\*.
- PRODUCT SPEC. PS - 8981-4V\* APPLIES

**MATERIAL :**

HOUSING : NYLON 6/6, UNFILLED, 94V-2, COLOR - NATURAL (OFF-WHITE).  
 TERMINAL : PHOSPHOR BRONZE, C51000  
 PLATING : POSTPLATE (0.00254)/.000100 MIN. TIN OVER  
 (0.00127)/.000050 MIN. NICKEL OVERALL

<b>REMOVE MOIST BAG NOTE</b> EC NO: S2012-0445 DRWN:SKANG 2011/12/07 CHKD:ATSEE 2012/01/05 APPR:MLONG 2012/01/10	QUALITY SYMBOLS =0 =0	GENERAL TOLERANCES (UNLESS SPECIFIED)		DIMENSION STYLE <b>MM/IN</b>		SCALE <b>NTS</b>	DESIGN UNITS <b>METRIC</b>	THIRD ANGLE PROJECTION		
			mm	INCH	DRAWN BY	DATE	TITLE			
		4 PLACES	± ---	± ---	TAY	1989/05/26	<b>HEADER, 4 CKTS          VERTICAL MOUNT</b>			
		3 PLACES	± ---	± .008	CHECKED BY	DATE				
2 PLACES	± 0.20	± ---	NK	1989/05/26	<b>MOLEX INCORPORATED</b>					
1 PLACE	± ---	± ---	APPROVED BY	DATE						
ANGULAR ± 3 °		DRAFT WHERE APPLICABLE MUST REMAIN WITHIN DIMENSIONS		AB	1989/05/26	MATERIAL NO. <b>SEE TABLE</b>		DOCUMENT NO. <b>SDA-8981-4V</b>		
				SIZE	THIS DRAWING CONTAINS INFORMATION THAT IS PROPRIETARY TO MOLEX INCORPORATED AND SHOULD NOT BE USED WITHOUT WRITTEN PERMISSION				SHEET NO. <b>1 OF 1</b>	