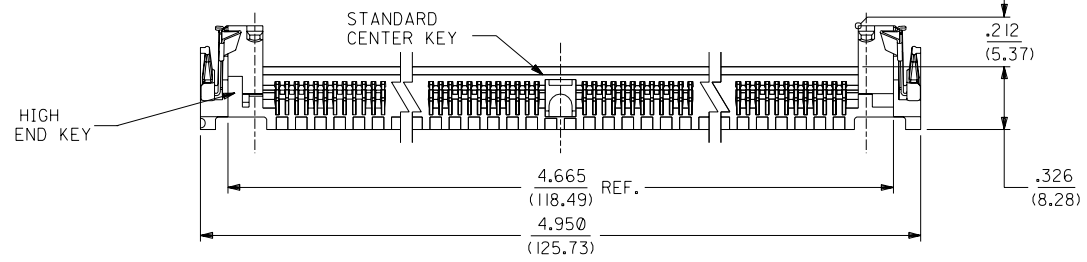
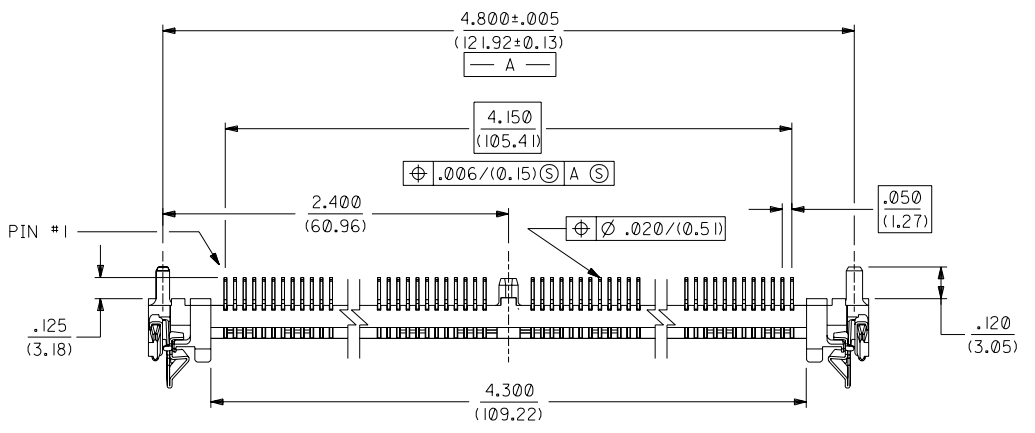


"SIMM" P.C. BOARD LAYOUT



- NOTES:
- CARD SLOT ACCEPTS P.C. BOARDS $.050 +.004 / -.003$ THICK, MEASURED OVER CONTACT PADS. (1.27 ± 0.10 / -0.08)
 - PRODUCT SPEC PS-78954 APPLIES.
 - LOCATION OF LOWER CORNER OF MODULE BOARD.
 - CENTER PEG IS AN INTERFERENCE FIT TO RECOMMENDED P.C. BOARD HOLE.

MATERIALS:

HOUSING: LCP, GLASS FILLED, 94V-0. COLOR: BLACK.

LATCH: STAINLESS STEEL.

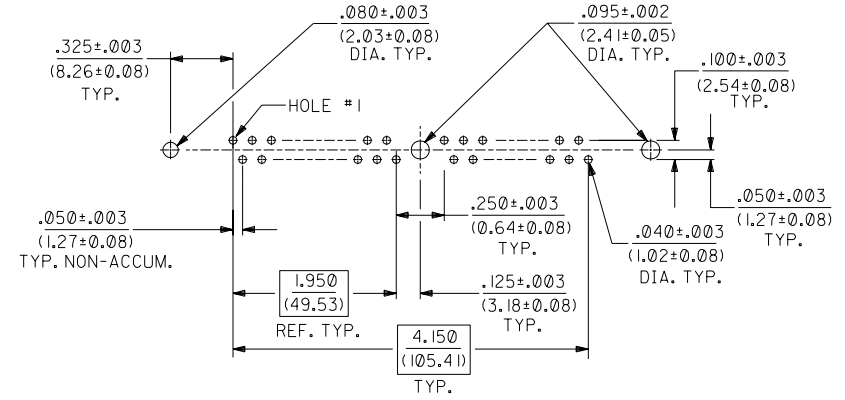
TERMINAL: PHOSPHOR BRONZE, POST PLATED

200 μIN. / (5.08 μm) MIN. TIN IN CONTACT AREA AND

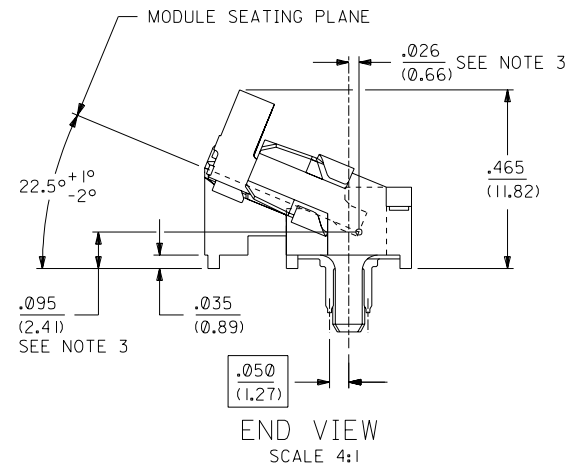
150 μIN. / (3.81 μm) MIN. TIN IN TAIL AREA OVER

50 μIN. / (1.27 μm) MIN. NICKEL OVERALL.

*THE PRIMARY SHIPPING CARTON WILL BE LABELED "COMPLIANT TO RoHS DIRECTIVE 2002/95/EC AND ELV ANNEX II OF DIRECTIVE 2000/53/EC". CARTONS WITHOUT THIS LABEL MAY CONTAIN PRODUCT WITH LEAD.



RECOMMENDED SOCKET P.C. BOARD HOLE PATTERN



H	LEAD FREE UCP2004-1582 RWHITE 04/02/25
G	PER ECN# U51394 REVIS CMY 7-24-95
F	REVISED PEG LENGTH PER ECR#U30751 MJS 6-8-93
E	DEL. FEATURE CONTROL BLOCK PER ECN U121891 PDB 12-28-92
D	.010 BLOCK TOL WAS .050 PER ECN U121290 PDB 08-27-92
C	REMOVED TRACKING TOES PER ECN #U20914 PDB 06-17-92
B	REVISED SALES MASTER PER ECN #U11871 PDB 09-10-91
A	X-REMOVE PER ECN U10427 SEC 14 FEB 91
I	X-RELEASE PER ECN #30655 PDB 11-21-90

DIMENSIONS SHOWN (METRIC) INCH		UNLESS OTHERWISE SPECIFIED TOLERANCES: ANGULAR ± 1/2°		MFG. SH. REV. LTR. REVISIONS	
3 PLACE ± .010		---		REVISE ONLY ON CAD SYSTEM	
2 PLACE ± .014		± 0.25		TITLE	
1 PLACE ---		± 0.36		SALES ASSEMBLY 80 CKT. 22.5 METAL LATCH HIGH KEY SINGLE ROW SIMM SOCKET	
DRAFT WHERE APPLICABLE MUST REMAIN WITHIN DIMENSIONS		MOLEX INCORPORATED		SHEET NO. DATE	
DRWG. PDB		CHK'D. BY		1 OF 1 11/21/90	
APP'D. BY		SCALE 2:1		PART NO. DATE	
57056429		15-82-0684		SDA-78964-8033	
DGN		DA		SIZE	
				THIS DRAWING CONTAINS INFORMATION THAT IS PROPRIETARY TO MOLEX INC. AND SHOULD NOT BE USED WITHOUT WRITTEN PERMISSION	