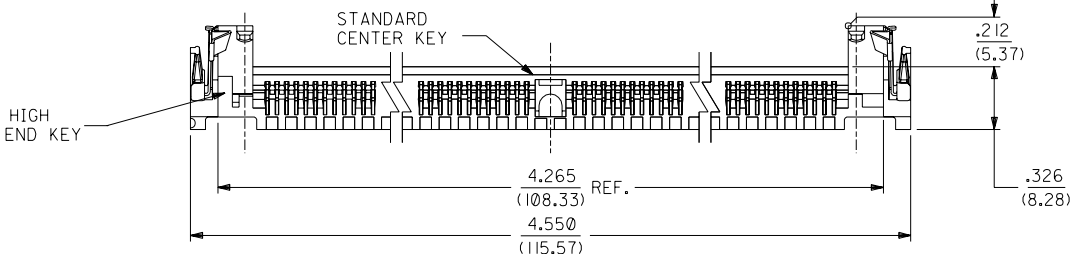
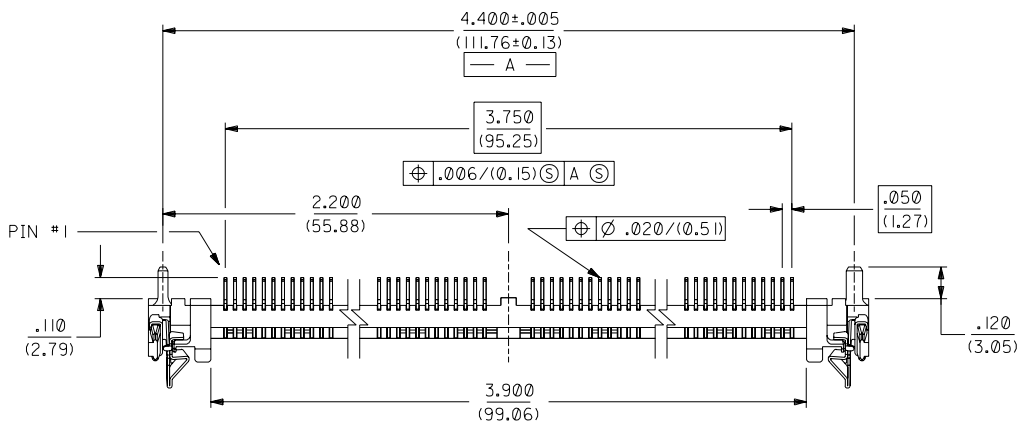
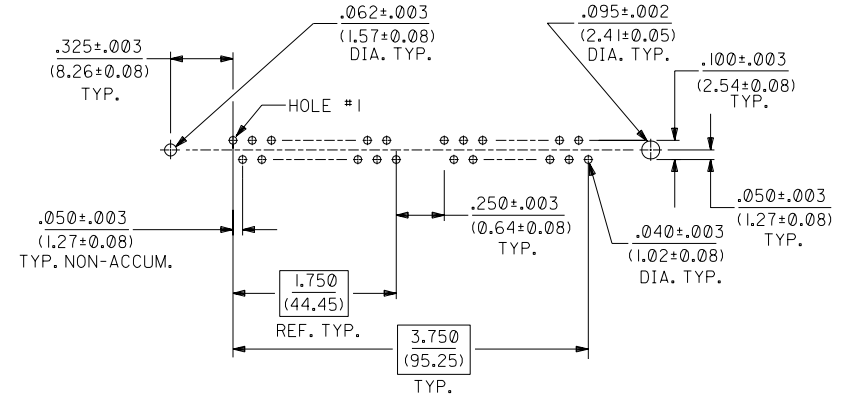


"SIMM" P.C. BOARD LAYOUT

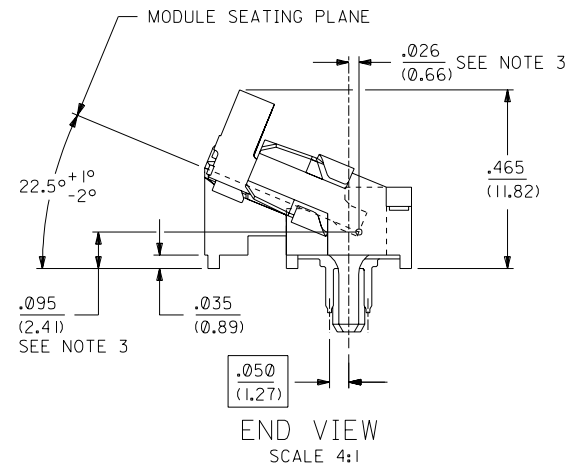


NOTES:
 1. CARD SLOT ACCEPTS P.C. BOARDS $.050 + .004 / -.003$ THICK, MEASURED OVER CONTACT PADS. (1.27 ± 0.10 / -0.08)
 2. PRODUCT SPEC PS-78954 APPLIES.
 3. LOCATION OF LOWER CORNER OF MODULE BOARD.

MATERIALS:
 HOUSING: LCP, GLASS FILLED, 94V-0. COLOR: BLACK.
 LATCH: STAINLESS STEEL.
 TERMINAL: PHOSPHOR BRONZE, POST PLATED
 200 μIN./ (5.08 μm) MIN. TIN IN CONTACT AREA AND
 150 μIN./ (3.81 μm) MIN. TIN IN TAIL AREA OVER
 50 μIN./ (1.27 μm) MIN. NICKEL OVERALL.
 *THE PRIMARY SHIPPING CARTON WILL BE LABELED "COMPLIANT TO RoHS DIRECTIVE 2002/95/EC AND ELV ANNEX II OF DIRECTIVE 2000/53/EC". CARTONS WITHOUT THIS LABEL MAY CONTAIN PRODUCT WITH LEAD.



RECOMMENDED SOCKET P.C. BOARD HOLE PATTERN



END VIEW SCALE 4:1

C	LEAD FREE UCP2004-1582 RWHITE 04/02/25
B	REVISED PER ECN #U51394 GMY 7-18-95
A	CREATED OPTION PER ECN #U30733 DKS 5-11-93

DIMENSIONS SHOWN (METRIC) INCH UNLESS OTHERWISE SPECIFIED TOLERANCES: ANGULAR ± 1/2°		▽ = 0		▽ = 0		REVISE ONLY ON CAD SYSTEM	
3 PLACE ± .010	METRIC ---	TITLE		SALES ASSEMBLY 72 CKT. 22.5 METAL LATCH HIGH KEY SINGLE ROW SIMM SOCKET			
2 PLACE ± .014	± 0.25	PART NO.		MOLEX INCORPORATED			
1 PLACE ---	± 0.36	SHEET NO.		1 OF 1			
DRAFT WHERE APPLICABLE MUST REMAIN WITHIN DIMENSIONS		DATE		05/12/93			
DRWG. DKS		CHK'D.		MFG. SH.		REV.	
BY		BY		LTR.		REVISIONS	
SCALE 2:1		FILE NAME		60532		SDA-78964-7241	
APP'D.		78964-4X1		60532		DA	
BY		CON		60532		DA	