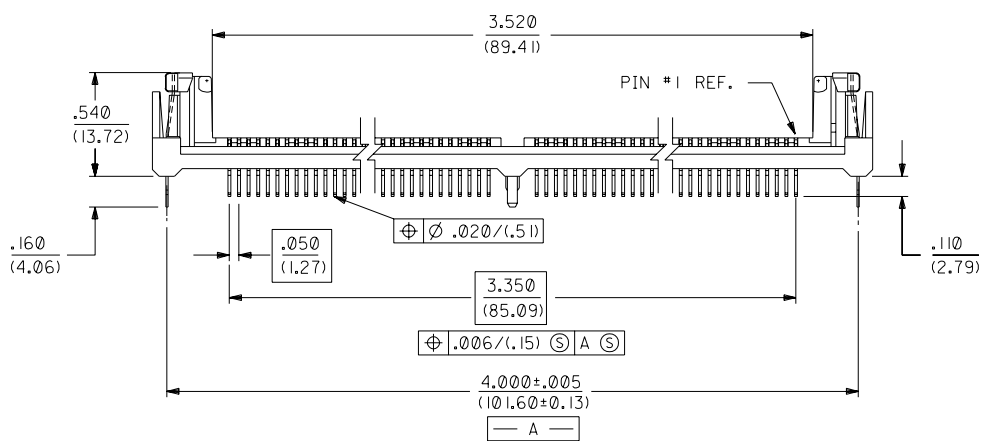
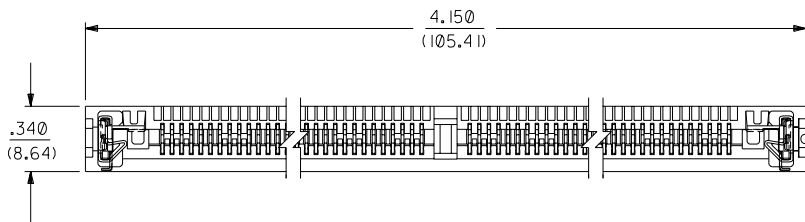


"SIMM" P.C. BOARD LAYOUT



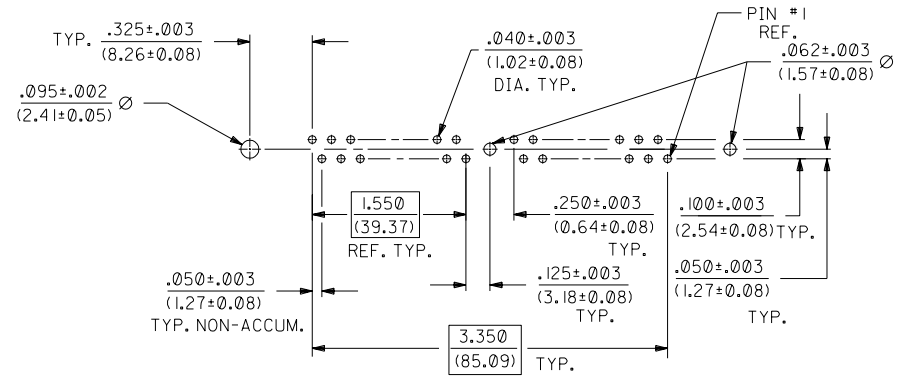
*THE PRIMARY SHIPPING CARTON WILL BE LABELED "COMPLIANT TO RoHS DIRECTIVE 2002/95/EC AND ELV ANNEX II OF DIRECTIVE 2000/53/EC" CARTONS WITHOUT THIS LABEL MAY CONTAIN PRODUCT WITH LEAD.

- NOTES:
- CARD SLOT ACCEPTS .050 +.004/-.003 P.C. BOARDS (MEASURED OVER P.C. PADS).
 - PRODUCT SPEC PS-78954 APPLIES
 - CENTER PEG IS AN INTERFERENCE FIT TO PCB UNLESS NOTED ON THE DWG. (APPLICABLE ONLY IF PART HAS A CENTER PEG FEATURE)

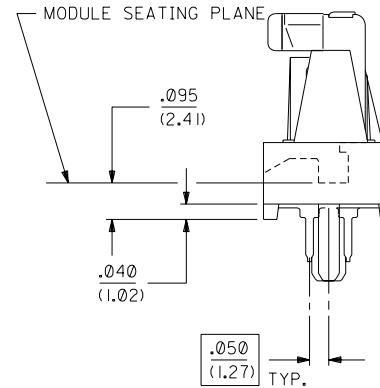
MATERIALS:

- HOUSING- LCP, GLASS FILLED, 94V-0, COLOR: BLACK
- TERMINAL- PHOSPHOR BRONZE
- PLATING- POST PLATED 30 μin (0.76 μm) MINIMUM GOLD IN CONTACT AREA AND 150 μin (3.81 μm) MINIMUM TIN IN TAIL AREA OVER 75 μin (1.91 μm) MINIMUM NICKEL OVERALL.
- * REFERENCE NOTE IN LOWER LEFT CORNER OF DRAWING.

METAL LATCH- STAINLESS STEEL



RECOMMENDED SOCKET P.C. BOARD HOLE PATTERN



END VIEW SCALE 4:1

F	LEAD FREE UCP2004-1582 RWHITE 04/02/24
E	REVISED PER ECR U51309 GMY 8-17-95
D	REDRAWN PER ECR U20649 AMD 5-1-92
C	REVISED TAIL DIM PER ECR U11280 AMD 7-23-91
B	CORRECTED EDP NO. PER ECR U0 0952 SEC 12-03-90
A	RELEASE FOR MFG. PER ERO 30568 SEC 11-06-90

DIMENSIONS SHOWN (METRIC) INCH		UNLESS OTHERWISE SPECIFIED TOLERANCES: ANGULAR ± 1/2°	
3 PLACE	± .010	---	---
2 PLACE	± .014	± 0.25	---
1 PLACE	---	± .035	---
DRAFT WHERE APPLICABLE MUST REMAIN WITHIN DIMENSIONS			
DRWG. BY	SEC	CHK'D. BY	SCALE 2:1
APPR. BY		FILE NAME	57805259 DCN
MFG., SH. REV. LTR.		REVISIONS	
TITLE		SALES ASSEMBLY REVERSE ROTATION, VERTICAL METAL LATCH SIMM SOCKET	
PART NO.		15-82-0791	
DRWG. NO.		SDA-78962-6432	
SHEET NO.		DATE	
1		10/28/90	
U.S.A.		MOLEX INC. AND SHOULD NOT BE USED WITHOUT WRITTEN PERMISSION	