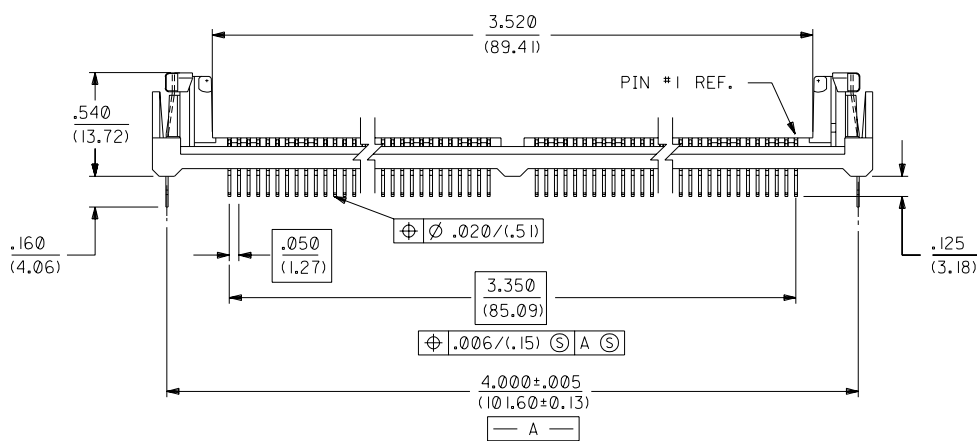
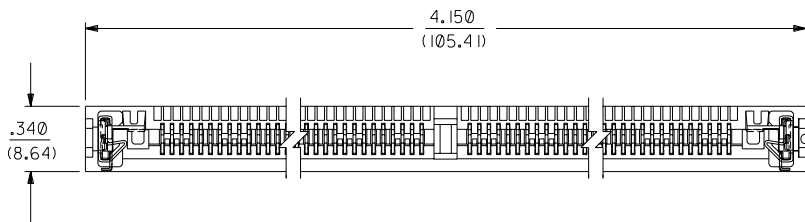


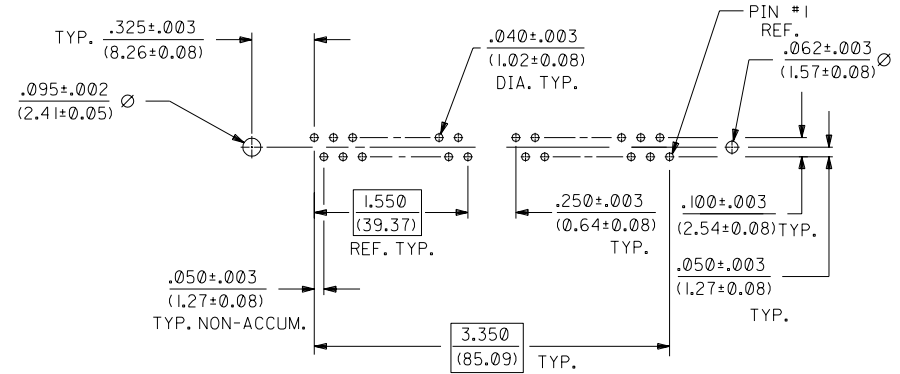
"SIMM" P.C. BOARD LAYOUT



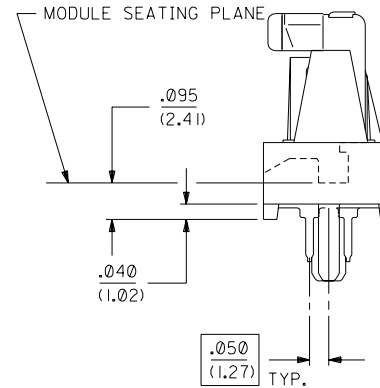
*THE PRIMARY SHIPPING CARTON WILL BE LABELED "COMPLIANT TO RoHS DIRECTIVE 2002/95/EC AND ELV ANNEX II OF DIRECTIVE 2000/53/EC" CARTONS WITHOUT THIS LABEL MAY CONTAIN PRODUCT WITH LEAD.

- NOTES: 1. CARD SLOT ACCEPTS .050 +.004/-.003 P.C. BOARDS (MEASURED OVER P.C. PADS).
 2. PRODUCT SPEC PS-78954 APPLIES
 3. CENTER PEG IS AN INTERFERENCE FIT TO PCB UNLESS NOTED ON THE DWG. (APPLICABLE ONLY IF PART HAS A CENTER PEG FEATURE)

MATERIALS:
 HOUSING- LCP, GLASS FILLED, 94V-0, COLOR: BLACK
 TERMINAL- PHOSPHOR BRONZE
 PLATING- POST PLATED 200 μin /(5.08 μm) MINIMUM TIN IN CONTACT AREA AND 150 μin /(3.81 μm) MINIMUM TIN IN TAIL AREA OVER 50 μin /(1.27 μm) MINIMUM NICKEL OVERALL
 * REFERENCE NOTE IN LOWER LEFT CORNER OF DRAWING.
 METAL LATCH- STAINLESS STEEL



RECOMMENDED SOCKET P.C. BOARD HOLE PATTERN



END VIEW SCALE 4:1

C	LEAD FREE UCP2004-1582 RWHITE 04/02/24
B	REVISED PER ECR# U51309 GMY 8-17-95
A	ADD EDP# PER ECR U21214 AMD 8-13-92
4	REDRAWN PER ECR U20649 AMD 4-30-92
3	REVISED/UPDATED PER ERO 30407 SEC 9-21-90
2	REVISED PER ERO 29832 SEC 5-31-90
1	X-RELEASE PER ERO 29387 SEC 1-08-90

DIMENSIONS SHOWN (METRIC) INCH UNLESS OTHERWISE SPECIFIED TOLERANCES: ANGULAR ± 1/2°		▽ = 0 ▽ = 0 REVISIONS	
3 PLACE ± .010 ---		TITLE	
2 PLACE ± .014 ± 0.25		SALES ASSEMBLY REVERSE ROTATION, VERTICAL METAL LATCH SIMM SOCKET	
1 PLACE --- ± .035		MOLEX INCORPORATED SHEET NO. DATE U.S.A. 1 01/08/90	
DRAFT WHERE APPLICABLE MUST REMAIN WITHIN DIMENSIONS		PART NO. DRWG. NO. 15-82-1125 SDA-78962-6431	
DRWG. BY SEC		FILE NAME 570562X36	
APPR. BY		THIS DRAWING CONTAINS INFORMATION THAT IS PROPRIETARY TO MOLEX INC. AND SHOULD NOT BE USED WITHOUT WRITTEN PERMISSION	
SCALE 2 : 1		DIV. SIZE DA C	