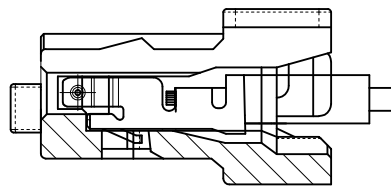
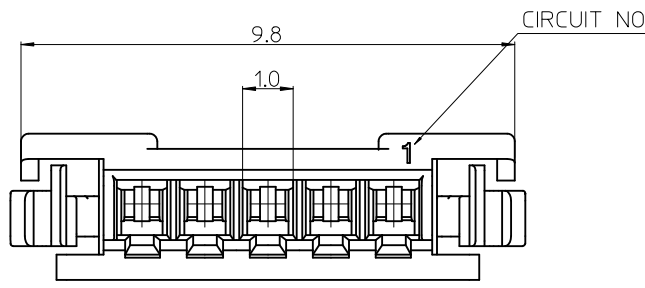
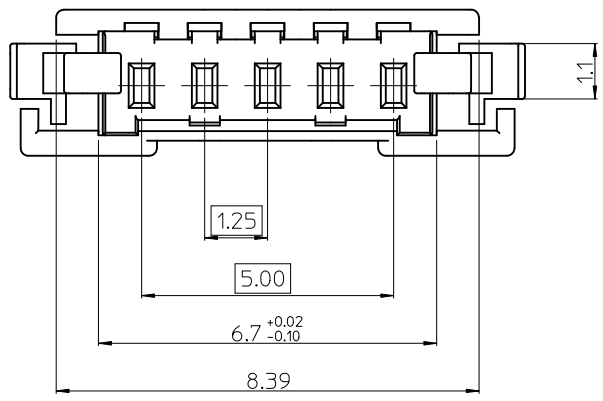
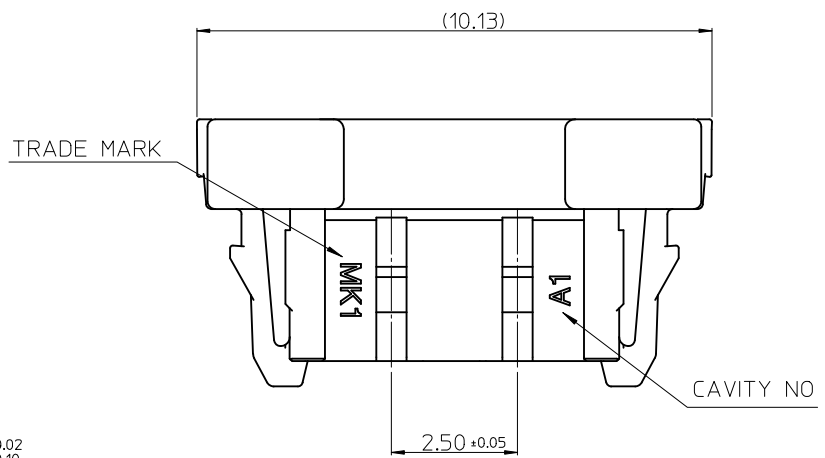
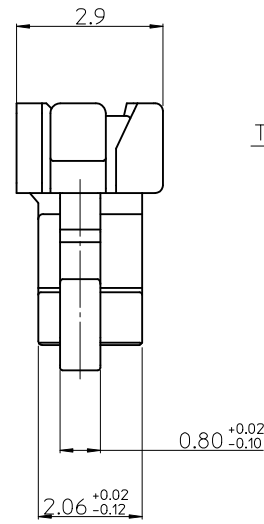
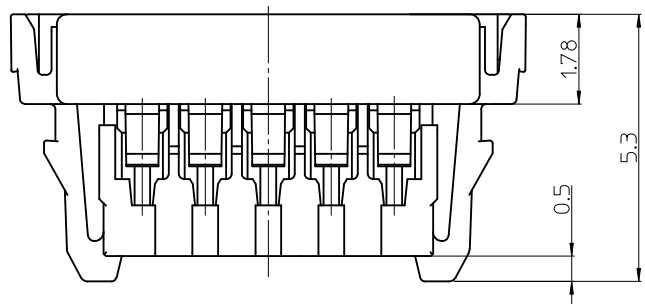
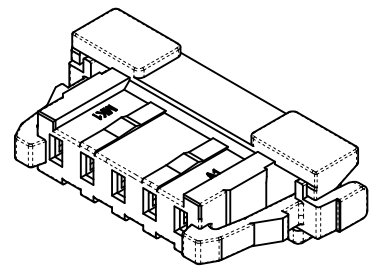


10 9 8 7 6 5 4 3 2 1



MATED CONDITION
[REFERENCE]



- NOTES.
1. MATED WITH : 104130-0510
 2. MATERIAL :
LCP E130i, GLASS FILLED, UL94V-0
HALOGEN FREE, COLOR OF NATURAL
 3. APPLICABLE TERMINAL : 104539-8102

ORDER NO 104031-0500

RELEASED EC NO: KOR2012-0059 DRWN: JHPARK01 2011/12/20 CHKD: SHCHU 2011/12/20 APPR: YUNSIKKIM 2011/12/29	DESCRIPTION REV A	QUALITY SYMBOLS ▽=0 ◻=0		GENERAL TOLERANCES (UNLESS SPECIFIED)		DIMENSION STYLE MM ONLY		SCALE 10/1	DESIGN UNITS METRIC	THIRD ANGLE PROJECTION	
				4 PLACES ± --- ± --- 3 PLACES ± --- ± --- 2 PLACES ± 0.15 ± --- 1 PLACE ± 0.20 ± ---	mm INCH ± --- ± --- ± 0.15 ± --- ± 0.20 ± ---	DRAWN BY JHPARK01	DATE 2011/12/20	TITLE 1.25MM W-T-B CONN.5P HOUSING (POSITIVE LOCKING)			
				ANGULAR ± 1 °		CHECKED BY SHCHU	DATE 2011/12/20	MOLEX INCORPORATED			
				DRAFT WHERE APPLICABLE MUST REMAIN WITHIN DIMENSIONS		APPROVED BY YUNSIKKIM	DATE 2011/12/29	MATERIAL NO. 1041310500	DOCUMENT NO. SD-104131-003	SHEET NO. 1 OF 1	

9 8 7 6 5 4 3 2 1