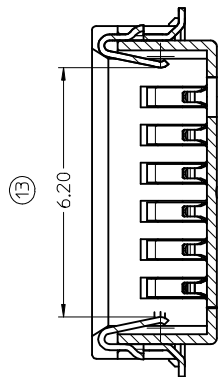
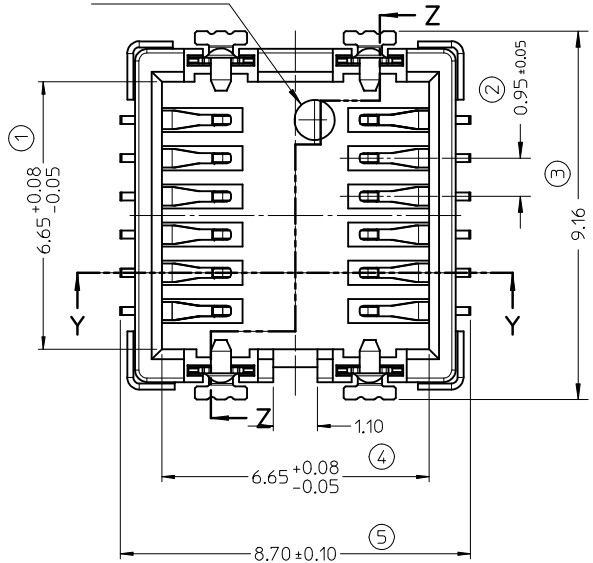


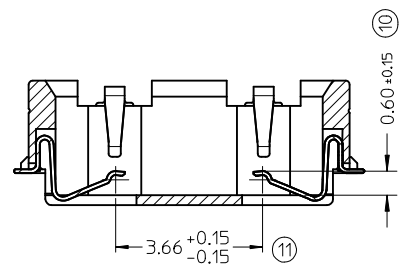
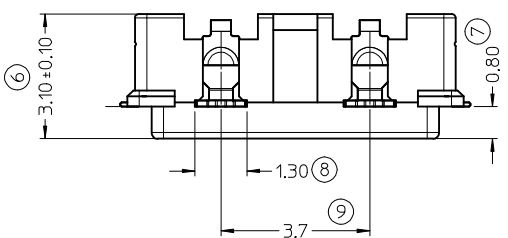
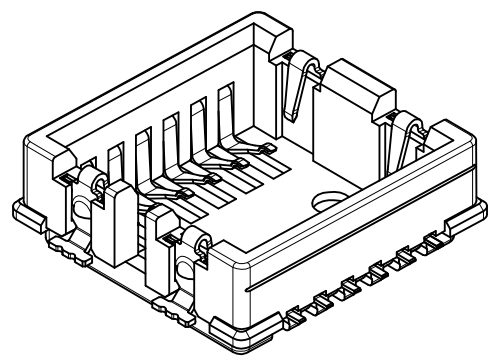
10 9 8 7 6 5 4 3 2 1

F
E
D
C
B
A

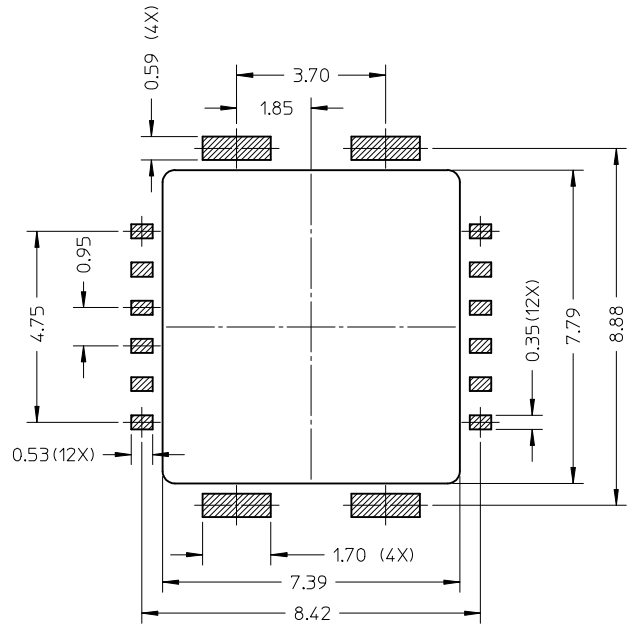
PIN1 MARK



SECTION Z-Z



SECTION Y-Y



RECOMMENDED PCB LAYOUT
TOLERANCE:0.05mm

- NOTES:
- MATERIALS
HOUSING: HIGH-TEMP THERMAL PLASTIC BLACK, UL94 V-0
TERMINAL: COPPER ALLOY
FITTING NAIL: COPPER ALLOY
 - FINISH
TERMINAL: 2-4 MICROMETER NICKEL UNDERPLATING OVERALL,
GOLD PLATING 0.3 MICROMETER ON CONTACT AREA,
GOLD FLASH PLATING ON SOLDER AREA.
FITTING NAIL: 2-4 MICROMETER NICKEL UNDERPLATING OVERALL,
GOLD FLASH ON CONTACT AREA AND SOLDER TAIL
 - COPLANARITY 0.08mm MAX.FOR ALL TAILS. (12)
 - PRODUCT SPECIFICATION: PS-105163-001
 - PACKAGING: TAPE&REEL

RELEASED EC NO: SH2013-0176 DRWN: JHUO 2012/12/10 CHKD: APPR: AYIN 2013/01/08	DESCRIPTION REV	QUALITY SYMBOLS	GENERAL TOLERANCES (UNLESS SPECIFIED)		DIMENSION STYLE	SCALE	DESIGN UNITS	THIRD ANGLE PROJECTION		
		$\nabla_A = 0$ $\nabla_C = 0$ $\nabla_P = 0$	mm	INCH	MM ONLY	8:1	METRIC	TITLE SMIA65 CAMERA SOCKET BOTTOM CONTACT 0.8MM MID-MOUNT molex		
		4 PLACES ± --- ± --- 3 PLACES ± --- ± --- 2 PLACES ± 0.15 ± --- 1 PLACE ± 0.20 ± --- 0 PLACE ± --- ± ---	DRAWN BY: WJHUO DATE: 2012/12/10 CHECKED BY: DATE:		APPROVED BY: AYIN DATE: 2013/01/08					
		ANGULAR ± 3 ° DRAFT WHERE APPLICABLE MUST REMAIN WITHIN DIMENSIONS		MATERIAL NO. 1051631001		DOCUMENT NO. SD-105163-101		SHEET NO. 1 OF 1		

9 8 7 6 5 4 3 2 1