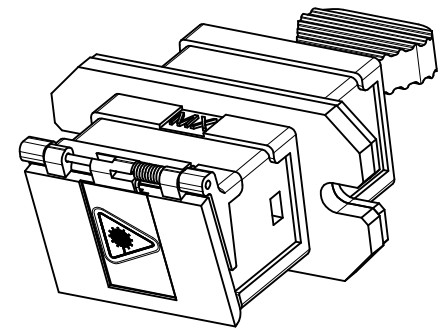
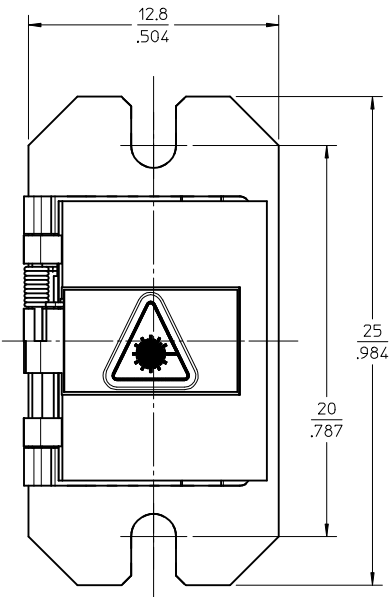
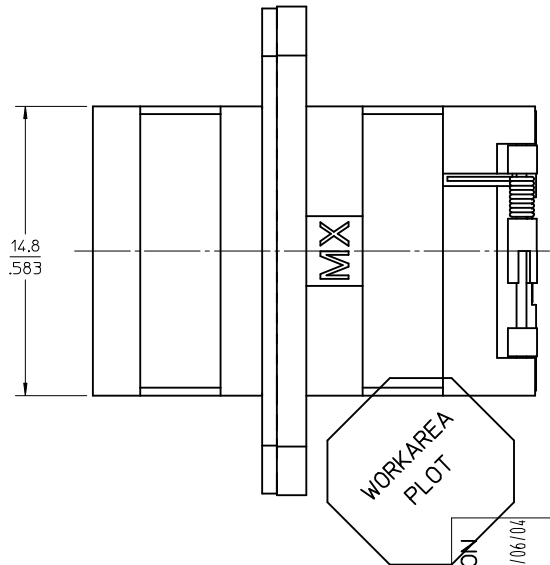
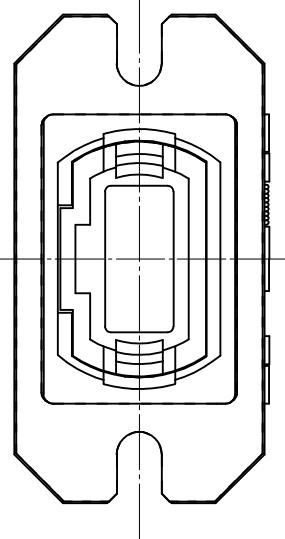


RECOMMENDED MOUNTING PATTERN



- NOTES:
1. SILICONE GASKET WITH Ag/AI FILLER (SHOWN COMPRESSED) IS SUPPLIED WITH THE PART.
 2. OUTER SHELL OF PART IS DIECAST.
 3. DUST CAP SHOWN ONLY IN ISOMETRIC VIEW.
 4. ADAPTERS TO BE PACKAGED IN TRAY.

ENTER DESCRIPTION EC NO: MF2013-0747 DRAWN: YBEDNYAK 2013/06/04 CHKD: APPR: IGUMIN 2013/06/14	QUALITY SYMBOLS ▽=0 ▽=0
	GENERAL TOLERANCES (UNLESS SPECIFIED) mm INCH 4 PLACES ± --- ± --- 3 PLACES ± --- ± --- 2 PLACES ± 0.10 ± --- 1 PLACE ± 0.10 ± --- ANGULAR ± 1/2°
	DIMENSION STYLE IN/MM DRAWN BY DATE PGIBLIN 2005/11/17 CHECKED BY DATE APPROVED BY DATE
	SCALE 4:1 DESIGN UNITS INCH THIRD ANGLE PROJECTION

DRAFT WHERE APPLICABLE MUST REMAIN WITHIN DIMENSIONS	MATERIAL NO. 1061141100	DOCUMENT NO. SD-106114-1100	SHEET NO. 1 OF 1
	THIS DRAWING CONTAINS INFORMATION THAT IS PROPRIETARY TO MOLEX INCORPORATED AND SHOULD NOT BE USED WITHOUT WRITTEN PERMISSION		