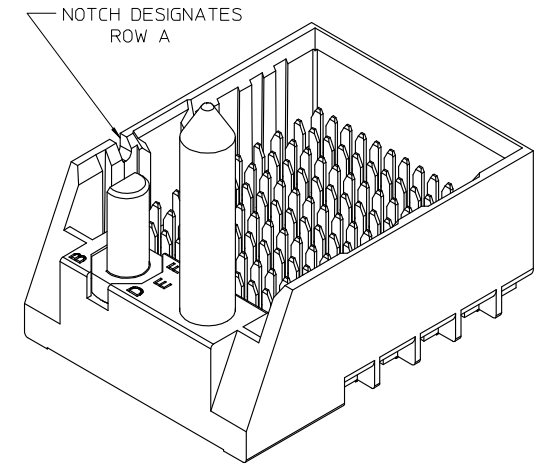
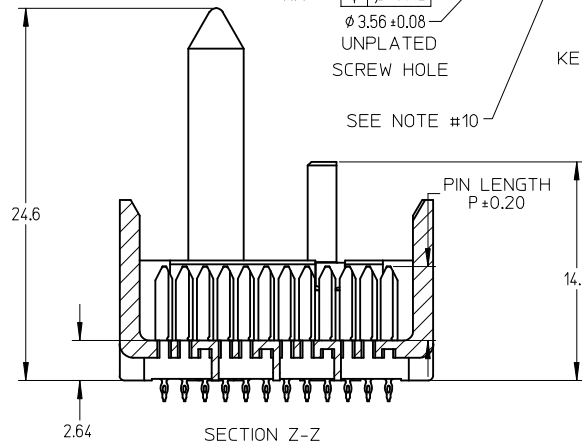
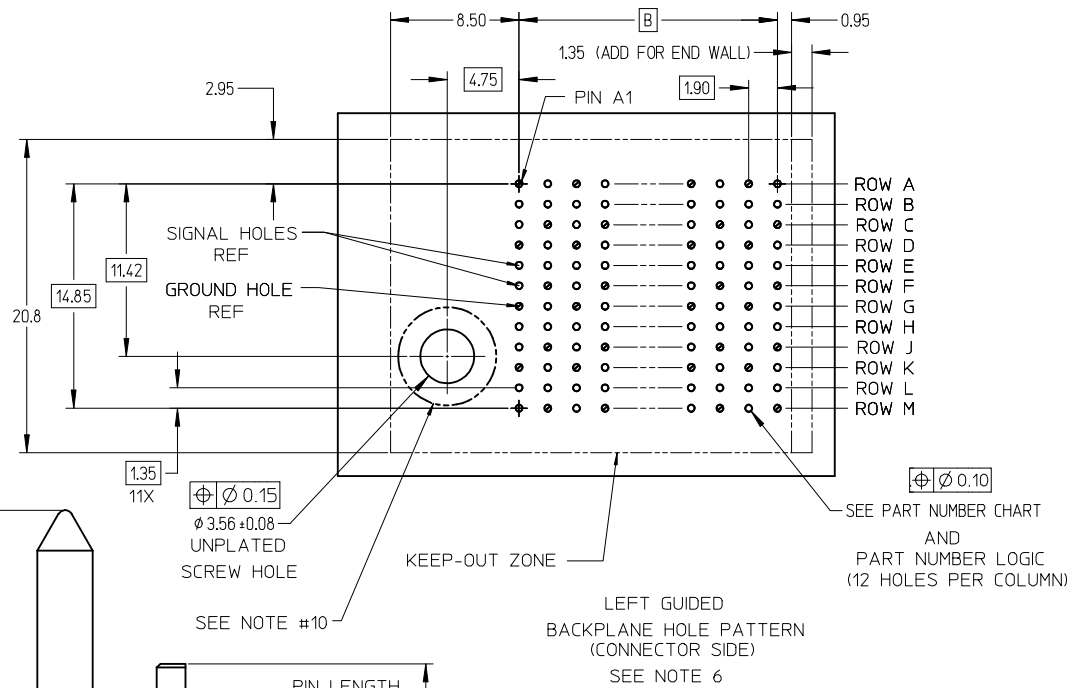


NOTES:

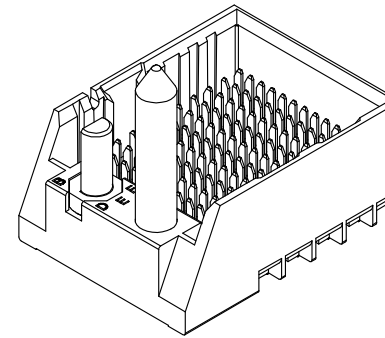
1. MATERIALS: HOUSING - LIQUID CRYSTAL POLYMER (LCP)  
GLASS-FILLED, UL94V-0  
TERMINALS - HIGH PERFORMANCE COPPER ALLOY
2. FINISH: 30μ INCH MIN GOLD IN CONTACT AREA.  
SELECTIVE MATTE TIN ON PCB TAILS, NICKEL OVERALL.
3. REFER TO MOLEX PRODUCT SPECIFICATION PS-170540-999  
FOR PERFORMANCE SPECIFICATIONS AND ADDITIONAL PCB INFORMATION.
4. REFER TO MOLEX PCB ROUTING GUIDE AS-76060-990 FOR ANTIPAD AND ROUTING RECOMMENDATIONS.
5. CONNECTORS SUPPLIED WITH A 2-56 UNC-2A SCREW.
6. \*THESE DIMENSIONS REPRESENT THE AREA NEEDED TO ACCOMMODATE CONNECTOR INSERTION AND REPAIR  
ON THE PC BOARD. THIS IS REFERRED TO AS THE "CONNECTOR KEEP OUT ZONE" AND DOES NOT  
REPRESENT THE ACTUAL PERIMETER OF THE CONNECTOR. WHEN LAYING OUT THE PC BOARD FOR CONNECTORS  
STACKED TOGETHER, USE A 1.9mm PROGRESSION.\*
7. THIS PART CONFORMS TO MOLEX COSMETIC SPEC PS-45499-002 CLASS B.
8. PARTS PACKAGED PER PK-70873-757.
9. SEE SHEETS 2 & 3 FOR PART NUMBERS AND BOARD RELATIONSHIPS.
10. FOR GROUNDED GUIDE PINS USE  $\phi$ . 3.56 +/-0.08 (PTH),  $\phi$ . 3.66 (DRILL) &  $\phi$  6.5 (PAD).
11. KEEP OUT ZONE FOR BP HOUSING LENGTH INCLUDES AN ADDITIONAL 1.0MM  
TO ACCOMMODATE FOR SPACE REQUIRED BY DC FRONT HOUSING.
12. MINIMUM CIRCUIT BOARD THICKNESS: 1.0mm



<b>ADD 6-COL PARTS</b> EC NO: UCP2013-1920 DRWN: BINGHAM 2012/11/13 CHKD: JLAURX 2012/11/13 APPR: JLAURX 2012/11/16	QUALITY SYMBOLS $\nabla = 0$ $\nabla = 0$ $\nabla = 0$	GENERAL TOLERANCES (UNLESS SPECIFIED)		DIMENSION STYLE	SCALE	DESIGN UNITS	THIRD ANGLE PROJECTION	
				MM ONLY	4:1	METRIC		
		4 PLACES ± --- INCH	DRAWN BY	DATE	TITLE			
		3 PLACES ± ---	JB INGHAM	2010/05/14	IMPACT 4-PAIR 85-OHM LEFT GUIDED BACKPLANE SALES ASSEMBLY DRAWING			
2 PLACES ± 0.13	CHECKED BY	DATE	<b>molex</b> DOCUMENT NO. SD-170335-0002 SHEET NO. 1 OF 3					
1 PLACE ± 0.25	JLAURX	2010/05/14						
0 PLACE ± ---	APPROVED BY	DATE	THIS DRAWING CONTAINS INFORMATION THAT IS PROPRIETARY TO MOLEX INCORPORATED AND SHOULD NOT BE USED WITHOUT WRITTEN PERMISSION					
	JLAURX	2012/11/16						
	ANGULAR ±1/2°	DRAFT WHERE APPLICABLE MUST REMAIN WITHIN DIMENSIONS		MATERIAL NO.	SEE CHART			
				SIZE				

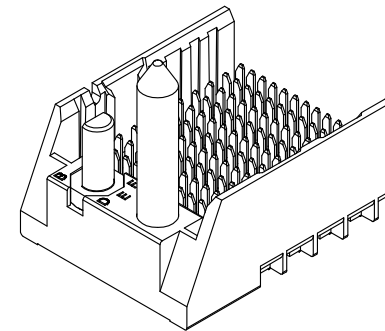
# PART NUMBER CHART

MATERIAL NUMBER	# OF COLUMNS	# OF DIFF PAIR	DIM "A"	DIM "B"	GUIDE LEFT END WALL OPTION
170335-73**	6	24	19.3	9.50	
170335-78**	8	32	23.1	13.30	
170335-71**	10	40	26.9	17.10	
170335-72**	12	48	30.7	20.90	
170335-74**	14	56	34.5	24.70	
170335-76**	16	64	38.3	28.50	



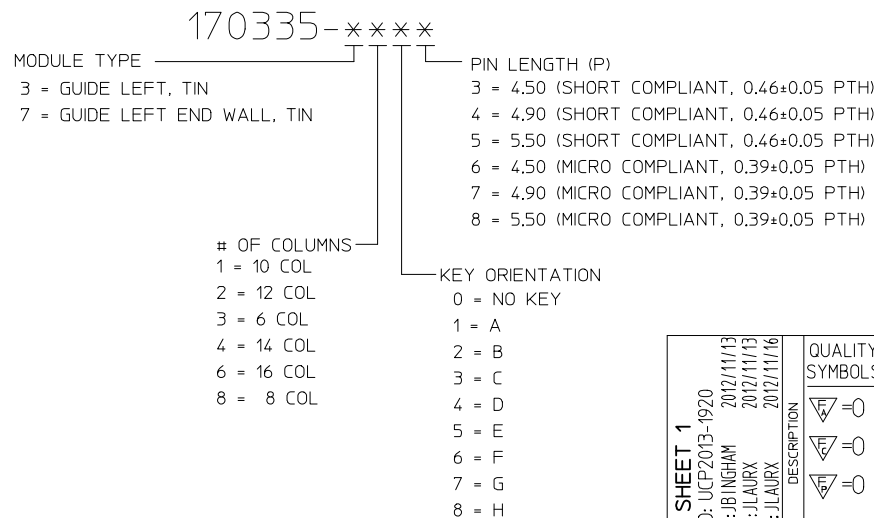
GUIDE LEFT  
END WALL OPTION

MATERIAL NUMBER	# OF COLUMNS	# OF DIFF PAIR	DIM "A"	DIM "B"	GUIDE LEFT END WALL OPTION
170335-33**	6	24	17.9	9.50	
170335-38**	8	32	21.7	13.30	
170335-31**	10	40	25.5	17.10	
170335-32**	12	48	29.3	20.90	
170335-34**	14	56	33.1	24.70	
170335-36**	16	64	36.9	28.50	

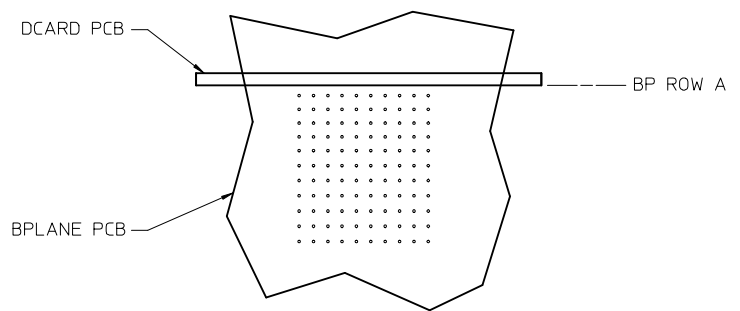


GUIDE LEFT  
OPEN WALL OPTION

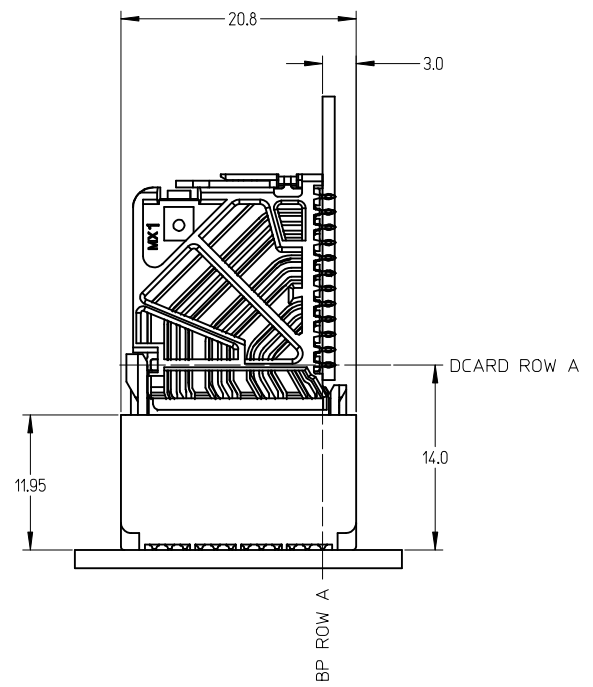
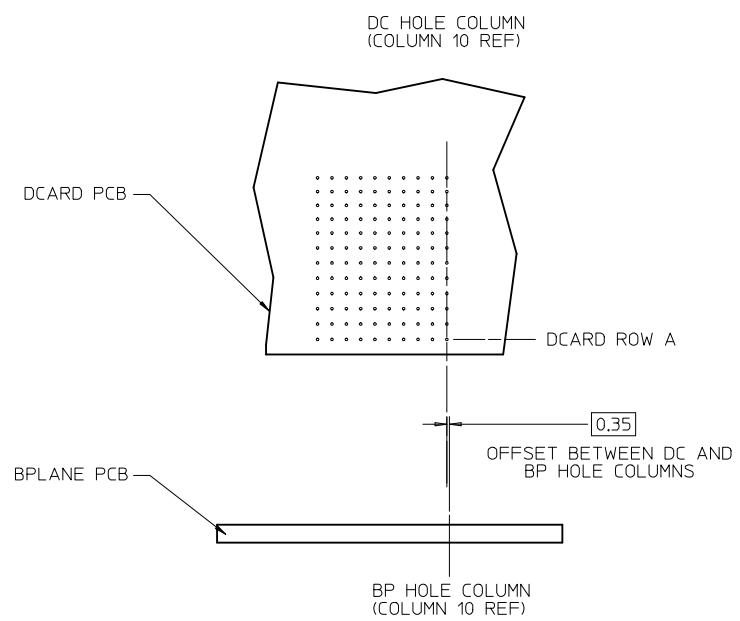
# PART NUMBER LOGIC



SEE SHEET 1 EC NO: UCP2013-1920 DRWN: JBINGHAM 2012/11/13 CHKD: JLAURX 2012/11/13 APPR: JLAURX 2012/11/16	QUALITY SYMBOLS ∇=0 ∇=0 ∇=0	GENERAL TOLERANCES (UNLESS SPECIFIED)		DIMENSION STYLE <b>MM ONLY</b>		SCALE 1:1	DESIGN UNITS METRIC	THIRD ANGLE PROJECTION		
				mm	INCH	DRAWN BY DATE JBINGHAM 2010/05/14		TITLE IMPACT 4-PAIR 85-OHM LEFT GUIDED BACKPLANE SALES ASSEMBLY DRAWING		
				±0.13	±---	CHECKED BY DATE JLAURX 2010/05/14		<b>molex</b> DOCUMENT NO. SD-170335-0002 SHEET NO. 2 OF 3		
				±0.25	±---	APPROVED BY DATE JLAURX 2012/11/16				
		ANGULAR ±1/2°		MATERIAL NO.		DRAFT WHERE APPLICABLE MUST REMAIN WITHIN DIMENSIONS		SIZE C		
THIS DRAWING CONTAINS INFORMATION THAT IS PROPRIETARY TO MOLEX INCORPORATED AND SHOULD NOT BE USED WITHOUT WRITTEN PERMISSION										



IMPACT 4 PAIR  
BOARD RELATIONSHIPS



SEE SHEET 1 EC NO: UCP2013-1920 DRWN: JBINGHAM 2012/11/13 CHKD: JLAURX 2012/11/13 APPR: JLAURX 2012/11/16	QUALITY SYMBOLS	GENERAL TOLERANCES (UNLESS SPECIFIED)	DIMENSION STYLE	SCALE	DESIGN UNITS	THIRD ANGLE PROJECTION
	▽=0	mm INCH	MM ONLY	3:1	METRIC	
	▽=0	4 PLACES ± --- ± ---	DRAWN BY DATE	TITLE		
	▽=0	3 PLACES ± --- ± ---	JBINGHAM 2010/05/14	IMPACT 4-PAIR 85-OHM LEFT GUIDED BACKPLANE SALES ASSEMBLY DRAWING		
	▽=0	2 PLACES ± 0.13 ± ---	CHECKED BY DATE	<b>molex</b> DOCUMENT NO. SD-170335-0002 SHEET NO. 3 OF 3		
	1 PLACE ± 0.25 ± ---	JLAURX 2010/05/14				
	0 PLACE ± --- ± ---	APPROVED BY DATE				
		JLAURX 2012/11/16				
		ANGULAR ±1/2°				
		DRAFT WHERE APPLICABLE MUST REMAIN WITHIN DIMENSIONS				
			THIS DRAWING CONTAINS INFORMATION THAT IS PROPRIETARY TO MOLEX INCORPORATED AND SHOULD NOT BE USED WITHOUT WRITTEN PERMISSION			