

NOTES:

1. MATERIAL:

CAGE: NICKEL SILVER
 CONNECTOR HOUSING: GLASS FILLED THERMOPLASTIC, UL: 94V-0, COLOR: BLACK
 LIGHT PIPES: POLYCARBONATE, 94 HB, COLOR: CLEAR
 TERMINALS: HIGH PERFORMANCE COPPER ALLOY
 FRONT SHIELD WALL: COPPER ALLOY
 LIGHT PIPE HOUSING: ZINC ALLOY

2. FINISH

TERMINALS: CONTACT AREA: 0.76 μm MIN. HARD GOLD OVER
 3.8 μm MIN. NICKEL.
 COMPLIANT TAIL: 0.7-1.5 μm MATTE TIN OVER:
 0.7-1.5 μm NICKEL
 FRONT SHIELD WALL: 0.7-1.5 μm NICKEL OVERALL
 LIGHT PIPE HOUSING: 2.0 μm NICKEL OVER 0.7 μm COPPER

3. 2X4 CONFIGURATION SHOWN FOR REFERENCE, SEE CHART FOR AVAILABLE OPTIONS

4. REFER TO PS-170071-0001 FOR ALL ELECTRICAL, MECHANICAL AND ENVIRONMENTAL SPECIFICATIONS.

5. REFER TO AS-170071-0001 FOR CONNECTOR MOUNTING AND REWORK INFORMATION.

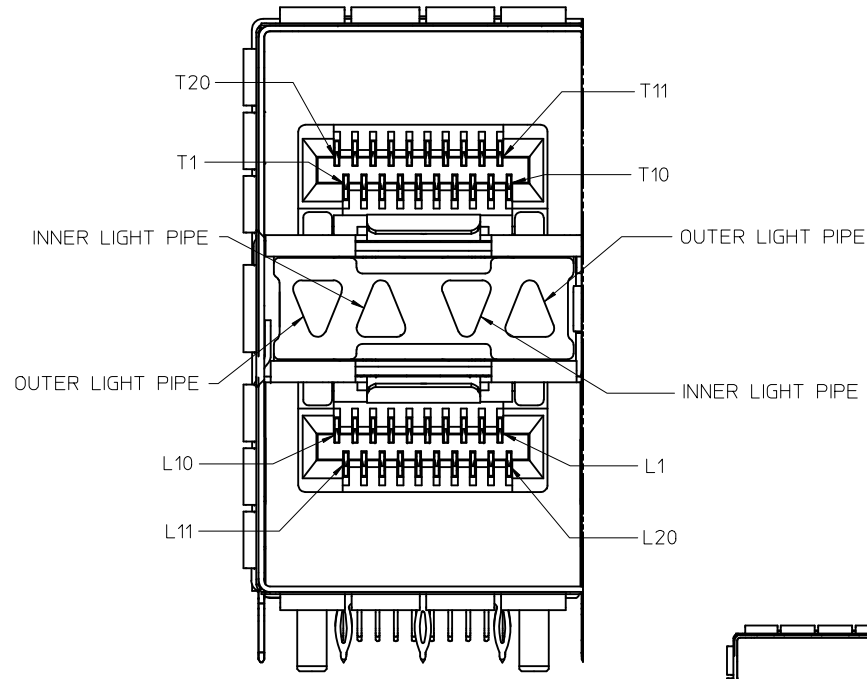
6. REFER TO AS-170071-0002 FOR PCB ROUTING RECOMMENDATIONS.

7. ALL VISIBLE EXTERIOR SURFACES TO BE CLASS "B" (BOTTOM OF CONNECTOR IS CLASS "C") CAGE SURFACES TO CONFORM TO THE MOLEX COSMETIC DOC PS-45499-002.

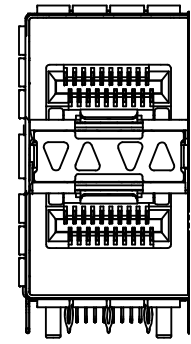
PORT SIZE	PART NUMBER	DIM X	DIM Y
2X1	17122410**	14.75	15.10
2X2	17122420**	29.00	29.35
2X4	17122440**	57.50	57.85
2X6	17122460**	86.00	86.35
2X8	17122480**	114.50	114.85
2X12	17122412**	171.50	171.85

**-DESIGNATES LIGHT PIPE CONFIGURATIONS, SEE SHEET 2

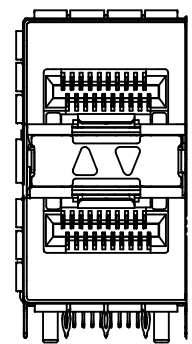
UPDATE & ADD **15 EC NO: UCP2013-2914 DRWN:JKACHLIC 2013/01/14 CHKD: APPR:MBANAKIS 2013/01/21 REV:	QUALITY SYMBOLS	GENERAL TOLERANCES (UNLESS SPECIFIED)	DIMENSION STYLE MM ONLY	SCALE 2:1	DESIGN UNITS METRIC	THIRD ANGLE PROJECTION
	▽=0	mm INCH	DRAWN BY DATE JKACHLIC 2011/08/08	TITLE ZSFP+ STACKED ASSY METAL SPRING FINGER W/LP		
	▽=0	4 PLACES ± --- ± --- 3 PLACES ± --- ± --- 2 PLACES ± --- ± --- 1 PLACE ± 0.25 ± --- 0 PLACE ± ±	CHECKED BY DATE	DOCUMENT NO. SD-171224-0002		
	▽=0	ANGULAR ±1/2°	APPROVED BY DATE JKACHLIC 2011/11/03	SHEET NO. 1 OF 4		
		DRAFT WHERE APPLICABLE MUST REMAIN WITHIN DIMENSIONS	MATERIAL NO. SEE CHART	THIS DRAWING CONTAINS INFORMATION THAT IS PROPRIETARY TO MOLEX INCORPORATED AND SHOULD NOT BE USED WITHOUT WRITTEN PERMISSION		



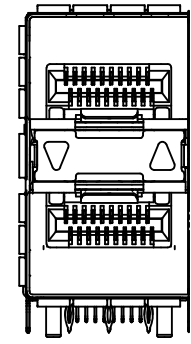
Partial4
SCALE 6:1



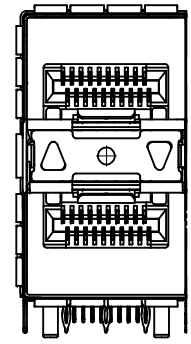
4 LIGHT PIPE
171224-**-11



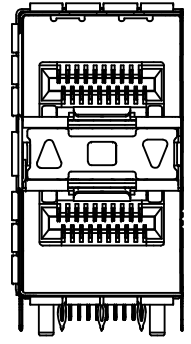
INNER LIGHT PIPE
171224-**-12



OUTER LIGHT PIPE
DOWN / UP
171224-**-13



OUTER LIGHT PIPE
UP / DOWN
171224-**-14

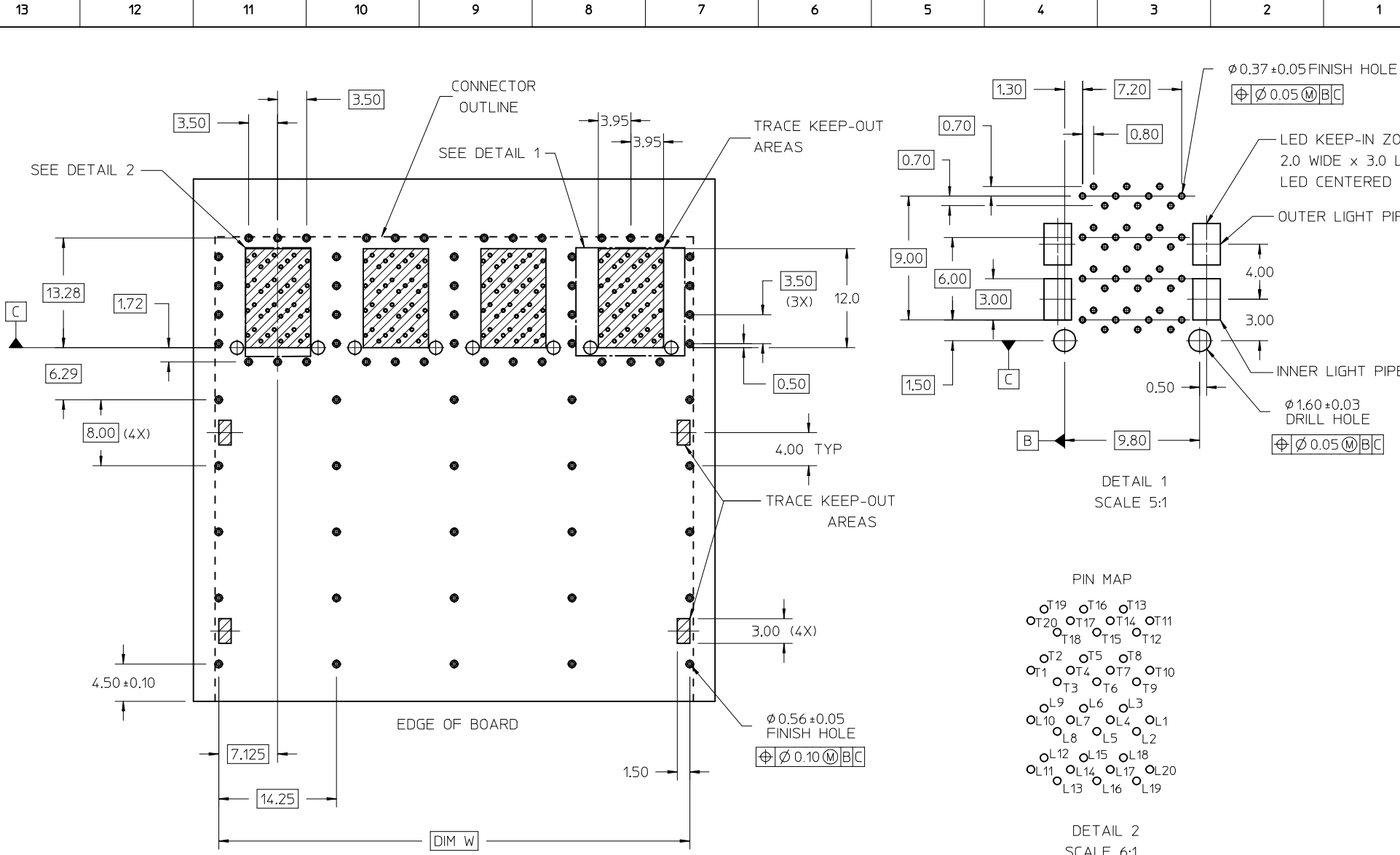


3 LIGHT PIPE
UP / MIDDLE / DOWN
171224-**-15

PART NUMBER	DESCRIPTION
171224-**-11	4 LIGHT PIPES
171224-**-12	INNER 2 PORTS
171224-**-13	OUTER 2 PORTS DOWN / UP
171224-**-14	OUTER 2 PORTS UP / DOWN
171224-**-15	3 LIGHT PIPES

** - DESIGNATES PORT SIZE

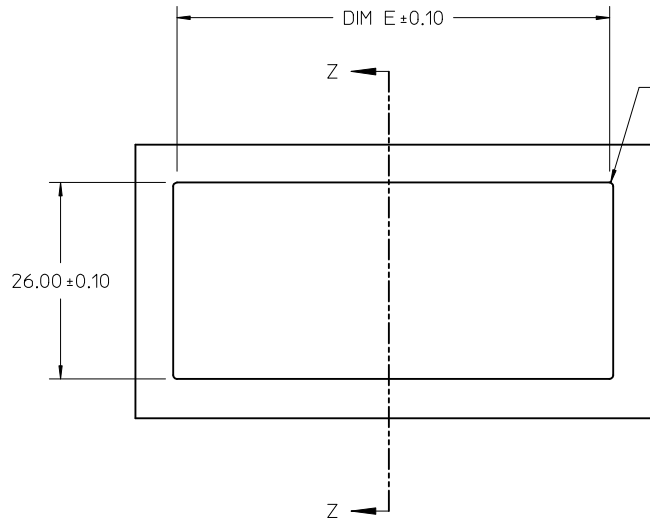
SEE SHEET 1 EC NO: UCP2013-2914 DRWN:JKACHLIC 2013/01/14 CHKD: APPR:MBANAKIS 2013/01/21	QUALITY SYMBOLS ∇=0 ∇=0 ∇=0	GENERAL TOLERANCES (UNLESS SPECIFIED) <table border="1"> <tr> <td></td> <td>mm</td> <td>INCH</td> </tr> <tr> <td>4 PLACES</td> <td>± .---</td> <td>± .---</td> </tr> <tr> <td>3 PLACES</td> <td>± .---</td> <td>± .---</td> </tr> <tr> <td>2 PLACES</td> <td>± .---</td> <td>± .---</td> </tr> <tr> <td>1 PLACE</td> <td>± 0.25</td> <td>± .---</td> </tr> <tr> <td>0 PLACE</td> <td>±</td> <td>±</td> </tr> </table>		mm	INCH	4 PLACES	± .---	± .---	3 PLACES	± .---	± .---	2 PLACES	± .---	± .---	1 PLACE	± 0.25	± .---	0 PLACE	±	±	DIMENSION STYLE MM ONLY DRAWN BY JKACHLIC DATE 2011/08/08 CHECKED BY DATE APPROVED BY JKACHLIC DATE 2011/11/03 MATERIAL NO.	SCALE 3:1 DESIGN UNITS METRIC THIRD ANGLE PROJECTION	TITLE ZSFP+ STACKED ASSY METAL SPRING FINGER W/LP molex DOCUMENT NO. SD-171224-0002	SHEET NO. 2 OF 4
		mm	INCH																					
	4 PLACES	± .---	± .---																					
	3 PLACES	± .---	± .---																					
2 PLACES	± .---	± .---																						
1 PLACE	± 0.25	± .---																						
0 PLACE	±	±																						
DRAFT WHERE APPLICABLE MUST REMAIN WITHIN DIMENSIONS		ANGULAR ±1/2°	SEE CHART	THIS DRAWING CONTAINS INFORMATION THAT IS PROPRIETARY TO MOLEX INCORPORATED AND SHOULD NOT BE USED WITHOUT WRITTEN PERMISSION																				



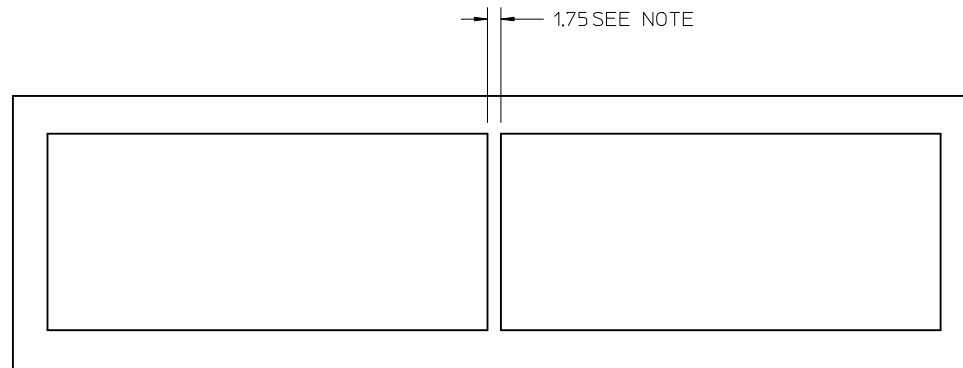
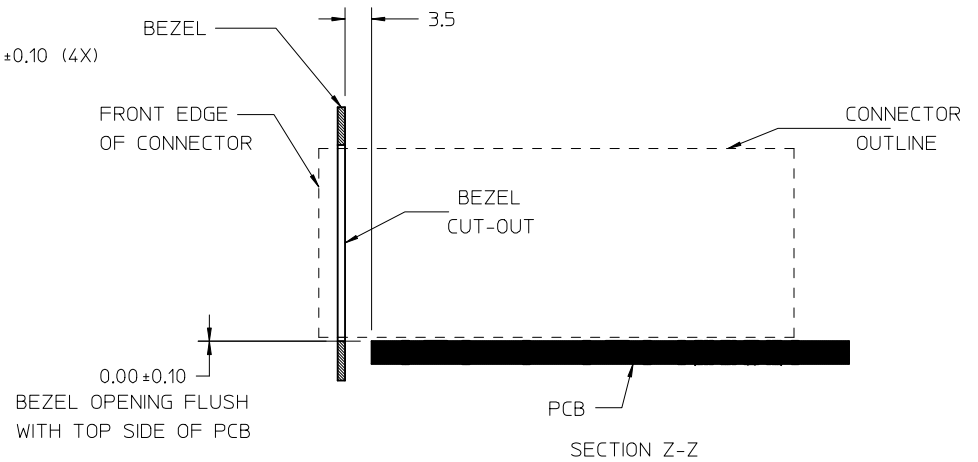
PORT SIZE	DIM "W"	HOLE CHART		
		CONNECTOR (Ø0.37)	SHIELD (Ø0.56)	LOCATION (Ø1.60)
2X1	14.25	40	24	2
2X2	28.50	80	39	4
2X4	57.00	160	69	8
2X6	85.50	240	99	12
2X8	114.00	320	129	16
2X12	171.00	480	189	24

SEE SHEET 1 EC NO: UCP2013-2914 DRWN: JKACHLIC 2013/01/14 CHKD: MBANAKIS 2013/01/21 APPR: MBANAKIS 2013/01/21	QUALITY SYMBOLS 	GENERAL TOLERANCES (UNLESS SPECIFIED)		DIMENSION STYLE MM ONLY	SCALE 3:1	DESIGN UNITS METRIC	THIRD ANGLE PROJECTION		
		4 PLACES ± --- ± --- 3 PLACES ± --- ± --- 2 PLACES ± --- ± --- 1 PLACE ± 0.25 ± --- 0 PLACE ± ±		DRAWN BY JKACHLIC	DATE 2011/08/08	TITLE ZSFP+ STACKED ASSY METAL SPRING FINGER W/LP			
		ANGULAR ±1/2°		CHECKED BY DATE	APPROVED BY JKACHLIC	DATE 2011/11/03	molex		
		DRAFT WHERE APPLICABLE MUST REMAIN WITHIN DIMENSIONS		MATERIAL NO. SEE CHART	DOCUMENT NO. SD-171224-0002	SHEET NO. 3 OF 4			

THIS DRAWING CONTAINS INFORMATION THAT IS PROPRIETARY TO MOLEX INCORPORATED AND SHOULD NOT BE USED WITHOUT WRITTEN PERMISSION



BEZEL CUT-OUT DETAIL
BEZEL THICKNESS 0.8-2.6



BEZEL CUT-OUT FOR
CONNECTOR STACKING

PORT SIZE	DIM "E"
2X1	15.50
2X2	29.75
2X4	58.25
2X6	86.75
2X8	115.25
2X12	172.25

NOTE:

FOR SIDE BY SIDE STACKING OF CONNECTORS. A BASIC DIMENSION OF 3.0mm BETWEEN CONNECTOR MOUNTING PATTERNS IS THE RECOMMENDED MINIMUM SPACING.

SEE SHEET 1 EC NO: UCP2013-2914 DRWN: JKACHLIC 2013/01/14 CHKD: JAPPR:MBANAKIS 2013/01/21 REV:	QUALITY SYMBOLS	GENERAL TOLERANCES (UNLESS SPECIFIED)	DIMENSION STYLE MM ONLY	SCALE 2:1	DESIGN UNITS METRIC	THIRD ANGLE PROJECTION
	▽=0	mm INCH	DRAWN BY JKACHLIC	DATE 2011/08/08	TITLE ZSFP+ STACKED ASSY METAL SPRING FINGER W/LP	
	▽=0	4 PLACES ± --- ± ---	CHECKED BY	DATE		
	▽=0	3 PLACES ± --- ± ---	APPROVED BY JKACHLIC	DATE 2011/11/03		
		1 PLACE ± 0.25 ± ---	MATERIAL NO.		DOCUMENT NO.	SHEET NO.
		0 PLACE ± ±	SEE CHART		SD-171224-0002	4 OF 4
		ANGULAR ±1/2°	THIS DRAWING CONTAINS INFORMATION THAT IS PROPRIETARY TO MOLEX INCORPORATED AND SHOULD NOT BE USED WITHOUT WRITTEN PERMISSION			
		DRAFT WHERE APPLICABLE MUST REMAIN WITHIN DIMENSIONS				