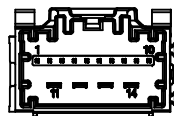
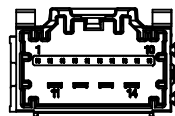


POLARIZATION OPTION "A"
P/N 34772-0140



POLARIZATION OPTION "B"
P/N 34772-0141



POLARIZATION OPTION "C"
P/N 34772-0142

MATERIAL NUMBER		CKT SIZE	DESCRIPTION	POL	COLOR
TRAY PACKAGING PK-31300-892	TUBE PACKAGING PK-31301-063				
34772-0140	34772-9140	14	STAC64 VERTICAL HEADER ASSEMBLY	A	BLACK
34772-0141	34772-9141	14	STAC64 VERTICAL HEADER ASSEMBLY	B	GREY
34772-0142	34772-9142	14	STAC64 VERTICAL HEADER ASSEMBLY	C	BROWN

NOTES: VALID UNLESS OTHERWISE SPECIFIED
1. GENERAL:

a. CONNECTOR HEADER MUST BE VALIDATED TO THE FOLLOWING FUNCTIONAL REQUIREMENTS:

PIN RETENTION = USCAR-2 REV 5
SOLDERABILITY = SMES-152

b. APPLICATION REQUIREMENTS (REFERENCE ONLY) FOR:

SEE APPLICATION SPECIFICATION = TBD
SEE PRODUCT SPECIFICATION = TBD
MATES WITH: 34776-014*/34916-014*/34927-014*/34969-014*

c. PACKAGING SPECIFICATION SEE CHART.

2. DESIGN MATERIALS:

a. SHROUD (PLASTIC HOUSING):
RESIN - SPS 30%GF

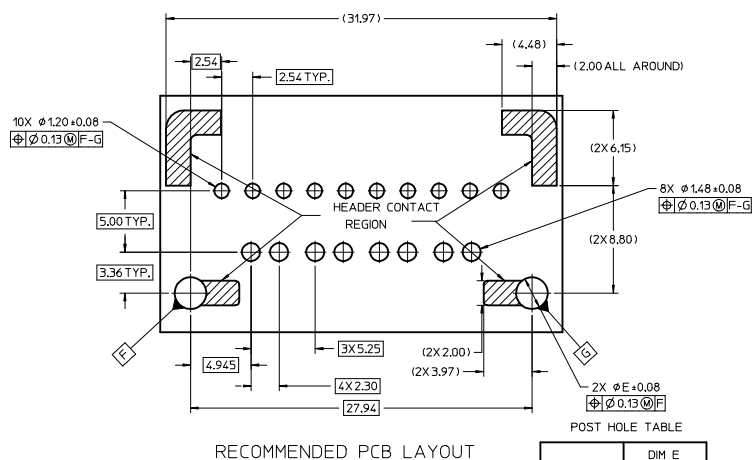
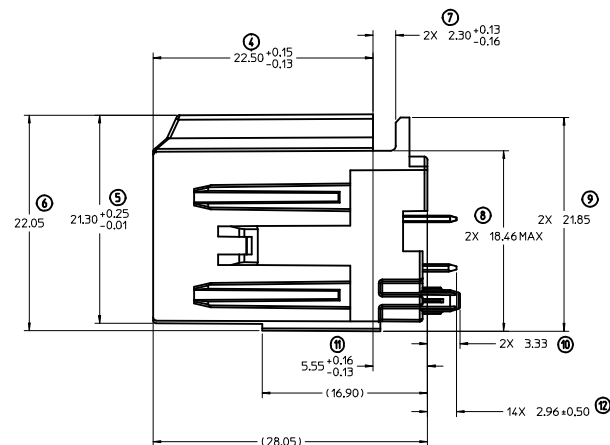
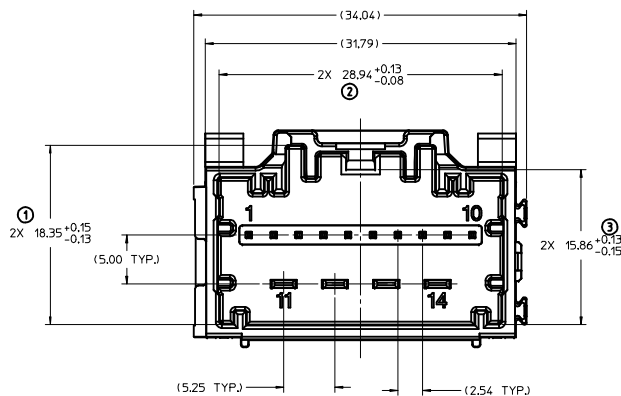
b. 0,64mm BLADES:
BASE MATERIAL: C26000
PLATING TYPE: AS NOTED

2,80mm BLADES:
BASE MATERIAL: C19400
PLATING TYPE: AS NOTED

3. PLATING REQUIREMENTS:

a. UNDERPLATING - OVERALL NICKEL
b. OVERPLATING - OVERALL TIN

ENTER DESCRIPTION IEC NO: UAU2013-0290 DRAWN: LSONG05 2012/08/29 CHKD: APPR: RBBAUMAN 2012/11/07 REV: A2	QUALITY SYMBOLS	GENERAL TOLERANCES (UNLESS SPECIFIED)	DIMENSION STYLE	SCALE	DESIGN UNITS	THIRD ANGLE PROJECTION
	▽=0	4 PLACES ± --- ± ---	MM ONLY	2:1	METRIC	
	▽=0	3 PLACES ± --- ± ---				
	▽=0	2 PLACES ± 0.13 ± ---				
		1 PLACE ± 0.25 ± ---				
		0 PLACE ± ±				
		ANGULAR ± 3 °				
		DRAFT WHERE APPLICABLE MUST REMAIN WITHIN DIMENSIONS				
			DRAWN BY DATE			
			LSONG05 2011/01/13			
			CHECKED BY DATE			
			VDANIELE 2011/01/13			
			APPROVED BY DATE			
			SMARCEAU 2011/01/28			
			MATERIAL NO.	DOCUMENT NO.		
			SEE TABLE	SD-34772-010		
			THIS DRAWING CONTAINS INFORMATION THAT IS PROPRIETARY TO MOLEX INCORPORATED AND SHOULD NOT BE USED WITHOUT WRITTEN PERMISSION			
					SHEET NO.	
					1 OF 2	



POST HOLE TABLE

	DIM E
PRESS FIT	Ø2.60
DROP IN	Ø3.05

ENTER DESCRIPTION ELEC NO: UAU2013-0290 DRAWN: SONG05 CHKD: APPR: RBAUMAN DATE: 2012/08/29 2012/11/07 A2	QUALITY SYMBOLS ∇=0 ∇=0 ∇=0	GENERAL TOLERANCES (UNLESS SPECIFIED)		DIMENSION STYLE MM ONLY	SCALE 4:1	DESIGN UNITS METRIC	THIRD ANGLE PROJECTION
		4 PLACES ± --- ± --- 3 PLACES ± --- ± --- 2 PLACES ± 0.13 ± --- 1 PLACE ± 0.25 ± --- 0 PLACE ± ±	mm INCH	DRAWN BY LSONG05 DATE 2011/01/13	CHECKED BY VDANIELE DATE 2011/01/13	APPROVED BY SMARCEAU DATE 2011/01/28	TITLE STAC64 SINGLE BAY VERTICAL ASSEMBLY 14 CKT HYBRID
MATERIAL NO. SEE SHEET 1		DOCUMENT NO. SD-34772-010		mox			
DRAFT WHERE APPLICABLE MUST REMAIN WITHIN DIMENSIONS		ANGULAR ± 3 °		SHEET NO. 2 OF 2			
THIS DRAWING CONTAINS INFORMATION THAT IS PROPRIETARY TO MOLEX INCORPORATED AND SHOULD NOT BE USED WITHOUT WRITTEN PERMISSION							