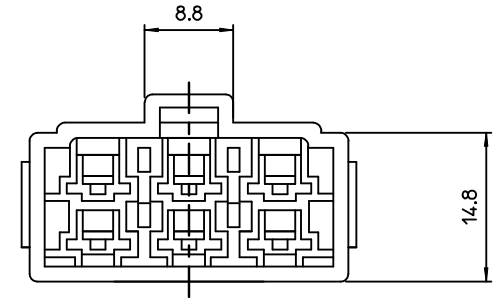
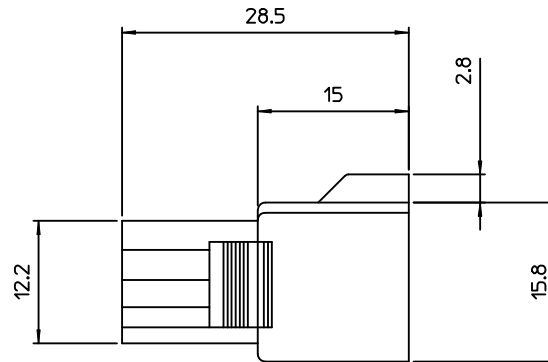
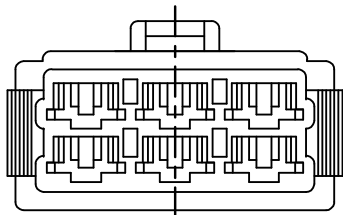
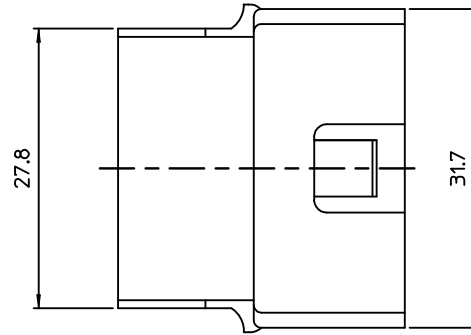


1. MATERIAL & COLOR

MATERIAL NO	EDP NO.	MATERIAL	COLOR
359550610	35955-0610	PA66(UL94V-2)	NATURAL
APPLICABLE TERMINAL			
35725-18*0	35725-19*0	35725-30*0	

2. MATED HSG & APPLICABLE TERMINAL

MATERIAL NO	EDP NO.	MATERIAL	COLOR
359550620	35955-0620	PA66(UL94V-2)	NATURAL
APPLICABLE TERMINAL			
35725-36*0	35725-19*0	35725-30*0	



REVISED EC NO: KOR2009-0054 DRWN: JHPARK01 2008/10/27 CHKD: WY YANG 2008/10/27 APPR: YUNSIKKIM 2008/10/27	QUALITY SYMBOLS ▽=0 ▽=0	GENERAL TOLERANCES (UNLESS SPECIFIED) mm INCH 4 PLACES ± --- ± --- 3 PLACES ± --- ± --- 2 PLACES ± 0.30 ± --- 1 PLACE ± 0.30 ± --- ANGULAR ± 1°	DIMENSION STYLE MM ONLY	SCALE 3:1	DESIGN UNITS METRIC	THIRD ANGLE PROJECTION	
	DRAWN BY JS. KANG	DATE 1999/08/16	TITLE .250 RECEPTACLE HSG-6P A-TYPE				
	CHECKED BY BK. CHOI	DATE 1999/08/16					
	APPROVED BY CW. LEE	DATE 1999/08/16					
DRAFT WHERE APPLICABLE MUST REMAIN WITHIN DIMENSIONS		MATERIAL NO. SEE TABLE	DOCUMENT NO. SD-35955-0610	MOLEX INCORPORATED			SHEET NO. 1 OF 01
THIS DRAWING CONTAINS INFORMATION THAT IS PROPRIETARY TO MOLEX INCORPORATED AND SHOULD NOT BE USED WITHOUT WRITTEN PERMISSION							