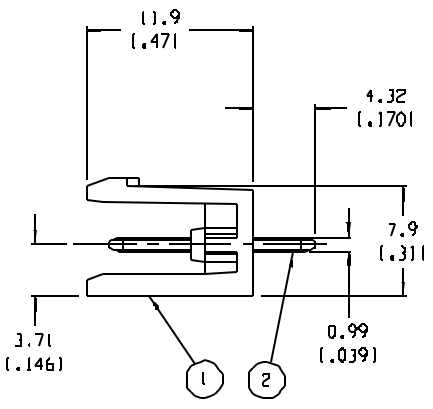
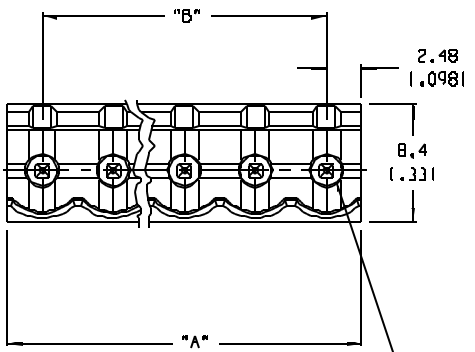
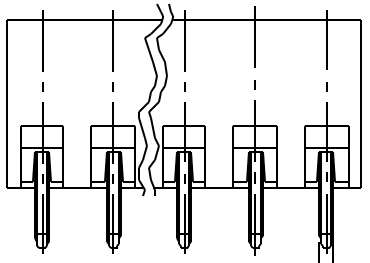


RECOMMENDED PLATED THRU HOLE PATTERN
SCALE 2:1



"XX" CIRCUITS EQUALLY SPACED @ 5.08 (1.200)



0.99 (1.039)

NOTES:

1. MATERIAL: SEE TABLE
2. FINISHES: SEE TABLE
3. PRODUCT SPECIFICATION: NOT REQUIRED
4. PACKAGING: NOT REQUIRED
5. MATES WITH: NONE
6. "XX" REFERS TO THE QUANTITY OF CIRCUIT POSITIONS.
7. REFER TO DWG SD-39120-003 FOR OPTIONAL IMPRINTING (-10AV AND -11AV)

NO. OF CIRC. "XX"	DIM. "A"	DIM. "B"	BLACK (STD.) MATERIAL NO.	BLACK (G10 OPT.) MATERIAL NO.	GREEN MATERIAL NO.
02	10.03 (1.395)	5.08 (1.200)	39860-0402	39861-0402	39860-3402
03	15.11 (1.595)	10.16 (1.400)	39860-0403	39861-0403	39860-3403
04	20.19 (1.795)	15.24 (1.600)	39860-0404	39861-0404	39860-3404
05	25.27 (1.995)	20.32 (1.600)	39860-0405	39861-0405	39860-3405
06	30.35 (1.195)	25.40 (1.000)	39860-0406	39861-0406	39860-3406
07	35.43 (1.195)	30.48 (1.200)	39860-0407	39861-0407	39860-3407
08	40.51 (1.595)	35.56 (1.400)	39860-0408	39861-0408	39860-3408
09	45.59 (1.795)	40.64 (1.600)	39860-0409	39861-0409	39860-3409
10	50.67 (1.995)	45.72 (1.800)	39860-0410	39861-0410	39860-3410
11	55.75 (2.195)	50.80 (2.000)	39860-0411	39861-0411	39860-3411
12	60.83 (2.395)	55.88 (2.200)	39860-0412	39861-0412	39860-3412
13	65.91 (2.595)	60.96 (2.400)	39860-0413	39861-0413	39860-3413
14	70.99 (2.795)	66.04 (2.600)	39860-0414	39861-0414	39860-3414
15	76.07 (2.995)	71.12 (2.800)	39860-0415	39861-0415	39860-3415
16	81.15 (3.195)	76.20 (3.000)	39860-0416	39861-0416	39860-3416
17	86.23 (3.395)	81.28 (3.200)	39860-0417	39861-0417	39860-3417
18	91.31 (3.595)	86.36 (3.400)	39860-0418	39861-0418	39860-3418
19	96.39 (3.795)	91.44 (3.600)	39860-0419	39861-0419	39860-3419
20	101.47 (3.995)	96.52 (3.800)	39860-0420	39861-0420	39860-3420
21	106.55 (4.195)	101.60 (4.000)	39860-0421	39861-0421	39860-3421
22	111.63 (4.395)	106.68 (4.200)	39860-0422	39861-0422	39860-3422
23	116.71 (4.595)	111.76 (4.400)	39860-0423	39861-0423	39860-3423
24	121.79 (4.795)	116.84 (4.600)	39860-0424	39861-0424	39860-3424

ITEM	QTY.	DESCRIPTION	MATERIAL	FINISH
2	XX	HEADER PIN (1-G10 OPTION)	BRASS	GOLD PLATE
		HEADER PIN	BRASS	TIN PLATE
1	1	INSULATOR	NYLON	SEE CHART

ECN 3656
DRAWN: CY 05-05-04
APP: B

QUALITY SYMBOLS:
MAJOR
CRITICAL
SPEC

DESCRIPTION

REV

GENERAL TOLERANCES: UNLESS SPECIFIED

	MM	INCH
4 PLACES	±.005	±.005
3 PLACES	±.038	±.005
2 PLACES	±.13	±.01
1 PLACE	±.3	

ANGULAR: ±2°

DRAFT WHERE APPLICABLE MUST REMAIN WITHIN DIMENSIONS

SCALE: 3:1
DESIGN UNITS: MM INCH

DRAWN BY & DATE: R. KEMP 12-05-01

CHECKED BY & DATE: P. MALTZ 12-06-01

APPROVED BY & DATE: L. ROTHHAUS 12-06-01

CAD FILE NAME: 8615XX

PROJECT NO. N/A

DIMENSIONS: DIM INCH DIM MM DIM ONLY

THIRD ANGLE PROJECTION

TITLE: HEADER ST, ASSEMBLY (5.08 (1.200) CENTERS)

MOLEX INCORPORATED

MATERIAL NO. SEE CHART

DRAWING NO. SD-39860-008

SHEET NO. 1 OF 1

SIZE B

THIS DRAWING CONTAINS INFORMATION THAT IS PROPRIETARY TO MOLEX INCORPORATED AND SHOULD NOT BE USED WITHOUT WRITTEN PERMISSION.