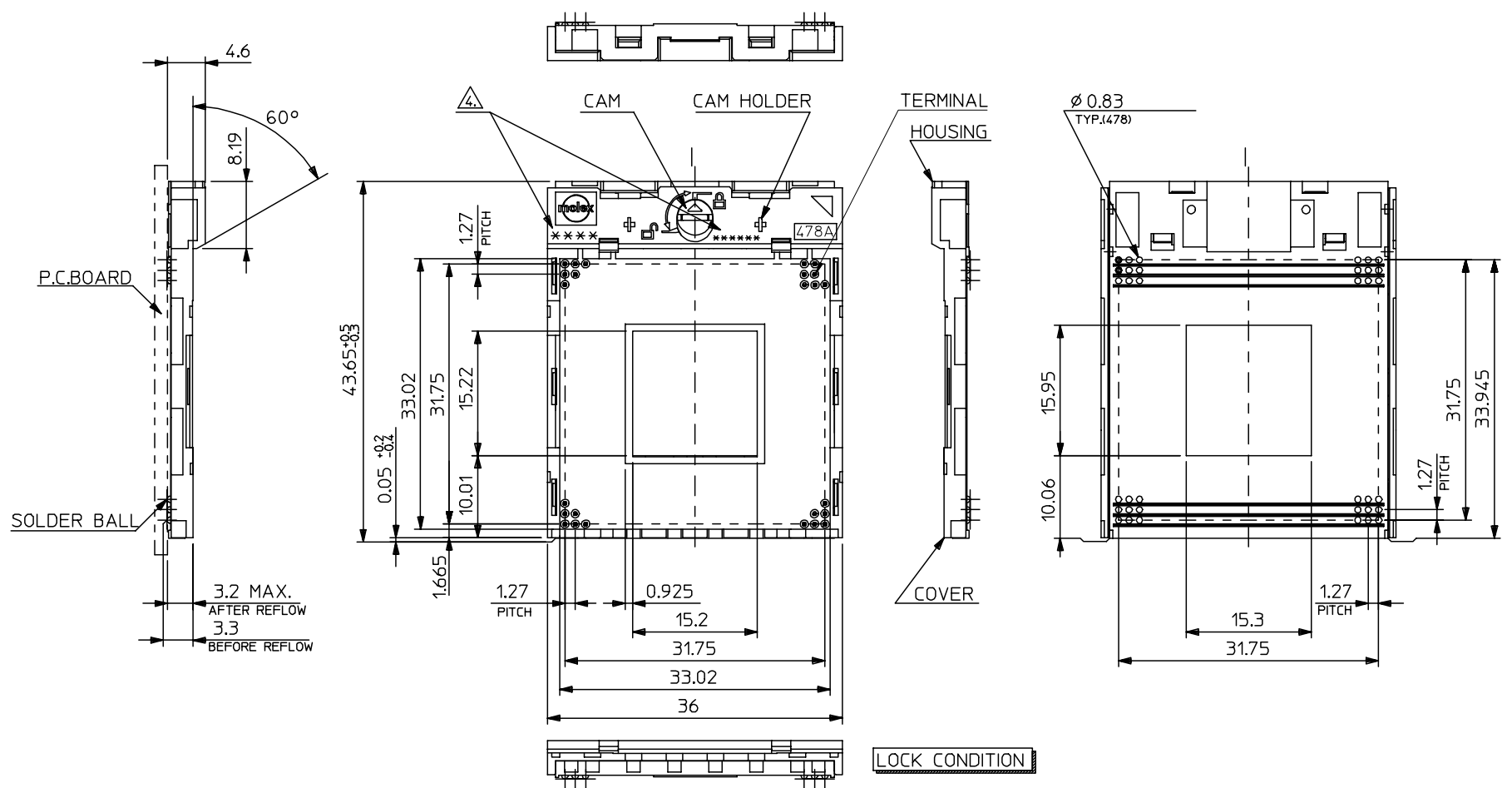


10 9 8 7 6 5 4 3 2 1

F
E
D
C
B
A



LEAD FREE	47170-4787
LEADED	47170-4788
TYPE	MATERIAL NUMBER

REVISED	DESCRIPTION
EC NO: SH2006-0636	
DRWN: SMCHEN	
CHKD:	
APPR: INCHEN	

QUALITY SYMBOLS	▽=0
	∇=0

GENERAL TOLERANCES (UNLESS SPECIFIED)	mm	INCH
4 PLACES	± ---	± ---
3 PLACES	± ---	± ---
2 PLACES	± 0.25	± ---
1 PLACE	± 0.25	± ---
ANGULAR ± 2 °		
DRAFT WHERE APPLICABLE MUST REMAIN WITHIN DIMENSIONS		

DIMENSION STYLE		SCALE	DESIGN UNITS	THIRD ANGLE PROJECTION
MM ONLY			METRIC	
DRAWN BY	DATE	TITLE		
AYIN	2004/11/04	M478A SOCKET ASSEMBLY WITH MYLAR TAPE AND REEL PACKAGE		
CHECKED BY	DATE	MOLEX INCORPORATED		
JCHIANG	2004/11/04			
APPROVED BY	DATE	MATERIAL NO.		
VYAP	2004/11/04	SEE CHART		
MATERIAL NO.		DOCUMENT NO.	SHEET NO.	
		SD-47170-004	1 OF 5	

SCALE		DESIGN UNITS	THIRD ANGLE PROJECTION
		METRIC	
DRAWN BY		DATE	TITLE
AYIN		2004/11/04	M478A SOCKET ASSEMBLY WITH MYLAR TAPE AND REEL PACKAGE
CHECKED BY		DATE	MOLEX INCORPORATED
JCHIANG		2004/11/04	
APPROVED BY		DATE	MATERIAL NO.
VYAP		2004/11/04	SEE CHART
MATERIAL NO.		DOCUMENT NO.	SHEET NO.
		SD-47170-004	1 OF 5

9 8 7 6 5 4 3 2 1

10 9 8 7 6 5 4 3 2 1

F

E

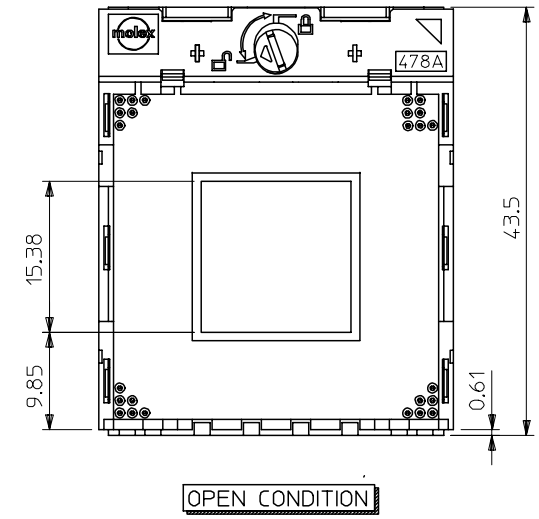
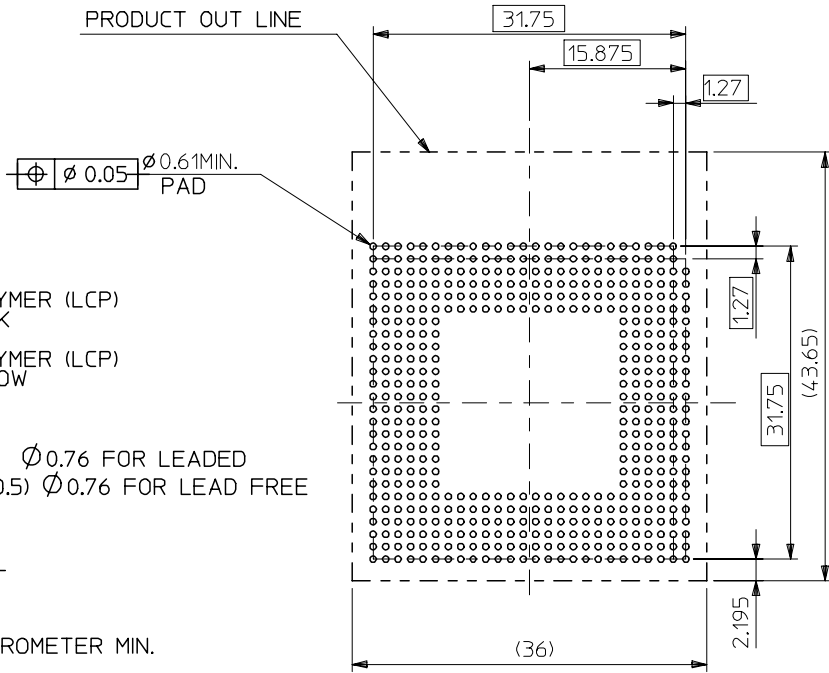
D

C

B

A

PRODUCT OUT LINE



RECOMMENDED P.C. BOARD LAYOUT

NOTES:

1. MATERIAL

HOUSING : LIQUID CRYSTAL POLYMER (LCP)
UL94V-0,COLOR BLACK

COVER : LIQUID CRYSTAL POLYMER (LCP)
UL94V-0,COLOR YELLOW

CONTACT : COPPER ALLOY

SOLDER BALL : TIN-LEAD (63:37) $\phi 0.76$ FOR LEADED
Sn-Ag-Cu(96.5:3:0.5) $\phi 0.76$ FOR LEAD FREE

CAM : STAINLESS STEEL

CAM HOLDER : STAINLESS STEEL

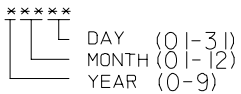
2. PLATING

CONTACT AREA : GOLD 0.25 MICROMETER MIN.

UNDER PLATING : NICKEL 1.5MICROMETER MIN.

3. SOLDER BALL COPLANARITY: 0.2MAX.

4. DATE CODE.



NONE: LEAD SOCKET,LF:LEAD-FREE SOCKET

5. PRODUCT SPECIFICATION REFER TO

PS-51248-005 FOR LEADED

PS-51248-020 FOR LEAD FREE

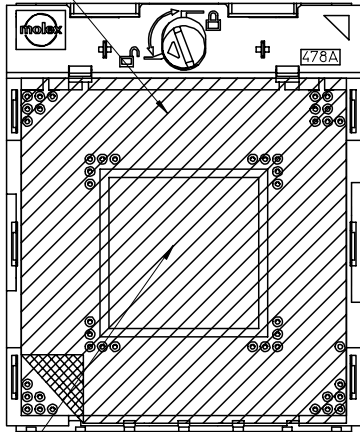
6. PACKAGE DRAWING REFER TO PK-500161-002

REVISED EC NO: SH2006-0636 DRWN:SMCHEN 2006/05/05 CHKD: 2006/05/05 APPR: INCHEN 2006/05/09	QUALITY SYMBOLS ▽=0 △=0	GENERAL TOLERANCES (UNLESS SPECIFIED)		DIMENSION STYLE MM ONLY		SCALE N/A	DESIGN UNITS METRIC	THIRD ANGLE PROJECTION	
				mm	INCH				
REV	DESCRIPTION	4 PLACES	± ---	± ---	DRAWN BY AYIN	DATE 2004/11/04	TITLE M478A SOCKET ASSEMBLY WITH MYLAR TAPE AND REEL PACKAGE		
		3 PLACES	± ---	± ---	CHECKED BY JCHIANG	DATE 2004/11/04			
		2 PLACES	± 0.25	± ---	APPROVED BY VYAP	DATE 2004/11/04	MOLEX INCORPORATED		
		1 PLACE	± 0.25	± ---	MATERIAL NO. SEE SHEET1	DOCUMENT NO. SD-47170-004			
DRAFT WHERE APPLICABLE MUST REMAIN WITHIN DIMENSIONS		SIZE A3				THIS DRAWING CONTAINS INFORMATION THAT IS PROPRIETARY TO MOLEX INCORPORATED AND SHOULD NOT BE USED WITHOUT WRITTEN PERMISSION			

9 8 7 6 5 4 3 2 1

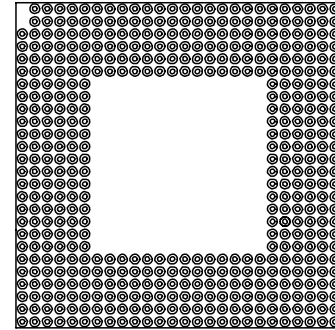
10 9 8 7 6 5 4 3 2 1

MYLAR TAPE



VACCUM TAPE

AT PACKAGED (WITH MYLAR TAPE)



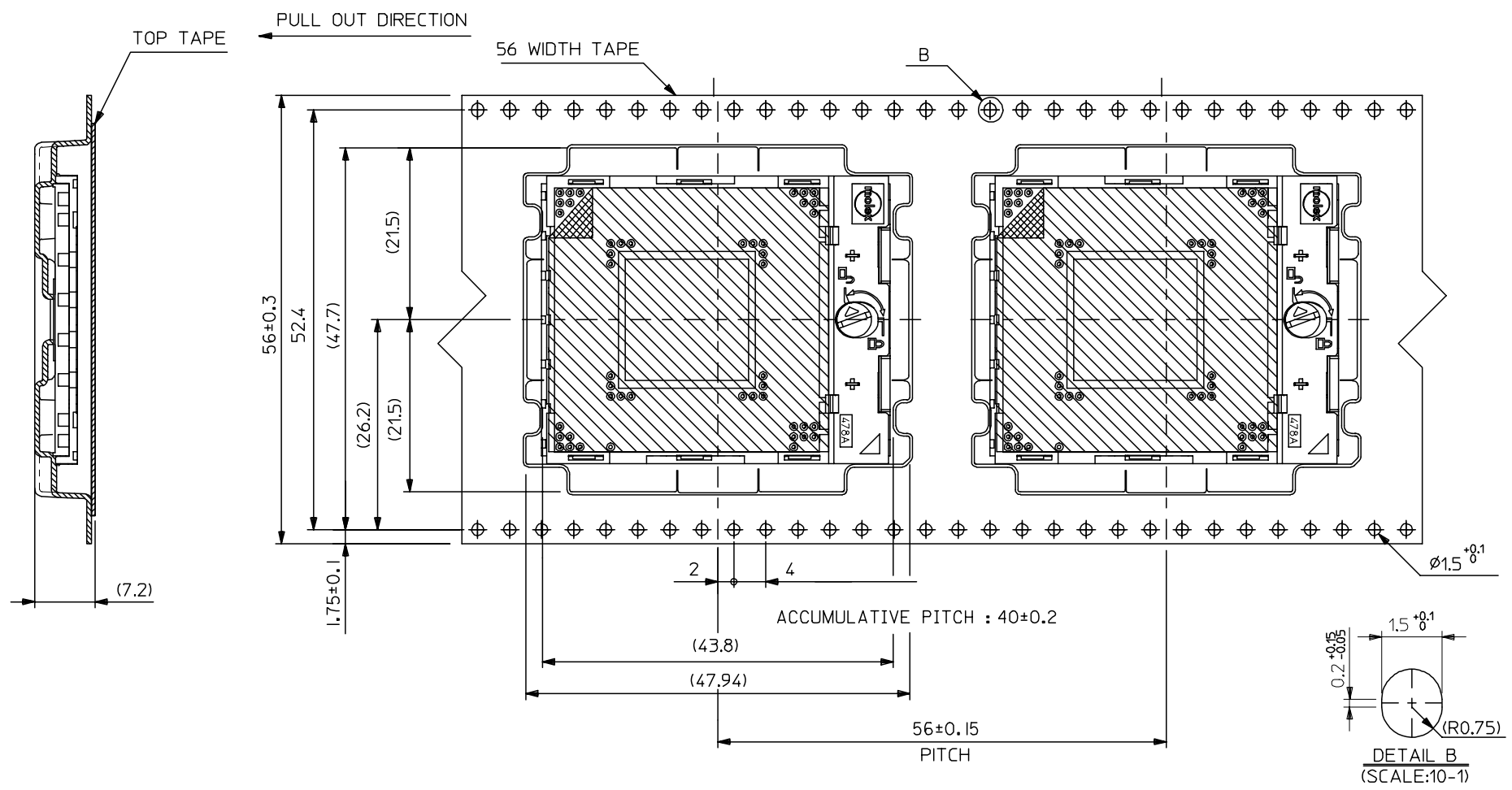
USING INTERPOSER (PIN SIDE VIEW)

REVISED EC NO: SH2006-0636 DRWN:SMCHEN CHKD: APPR: JNCHEN 2006/05/05 2006/05/05 2006/05/09	QUALITY SYMBOLS ▽=0 ◻=0	GENERAL TOLERANCES (UNLESS SPECIFIED)		DIMENSION STYLE MM ONLY		SCALE N/A	DESIGN UNITS METRIC	THIRD ANGLE PROJECTION		
				mm	INCH	DRAWN BY	DATE	TITLE M478A SOCKET ASSEMBLY WITH MYLAR TAPE AND REEL PACKAGE		
		4 PLACES	± ---	± ---	AYIN	2004/11/04				
		3 PLACES	± ---	± ---	CHECKED BY	DATE	MOLEX INCORPORATED			
2 PLACES	± 0.25	± ---	JCHIANG	2004/11/04						
1 PLACE	± 0.25	± ---	APPROVED BY	DATE	MATERIAL NO. SEE SHEET1 DOCUMENT NO. SD-47170-004 SHEET NO. 3 OF 5					
ANGULAR ± 2 °		DRAFT WHERE APPLICABLE MUST REMAIN WITHIN DIMENSIONS		SIZE A3				THIS DRAWING CONTAINS INFORMATION THAT IS PROPRIETARY TO MOLEX INCORPORATED AND SHOULD NOT BE USED WITHOUT WRITTEN PERMISSION		

9 8 7 6 5 4 3 2 1

10 9 8 7 6 5 4 3 2 1

F
E
D
C
B
A



REVISED EC NO: SH2006-0636 DRWNS: MCHEN CHKD: APPR: JNCHEN 2006/05/05 2006/05/05 2006/05/09	QUALITY SYMBOLS ▽=0 ◻=0	GENERAL TOLERANCES (UNLESS SPECIFIED)		DIMENSION STYLE MM ONLY		SCALE N/A	DESIGN UNITS METRIC	THIRD ANGLE PROJECTION		
			mm	INCH	DRAWN BY AYIN	DATE 2004/11/04	TITLE M478A SOCKET ASSEMBLY WITH MYLAR TAPE AND REEL PACKAGE			
		4 PLACES	± ---	± ---	CHECKED BY JCHIANG	DATE 2004/11/04	MOLEX INCORPORATED			
		3 PLACES	± ---	± ---	APPROVED BY VYAP	DATE 2004/11/04	MATERIAL NO. SEE SHEET1	DOCUMENT NO. SD-47170-004	SHEET NO. 4 OF 5	
			2 PLACES	± 0.25	± ---	DRAFT WHERE APPLICABLE MUST REMAIN WITHIN DIMENSIONS				
			1 PLACE	± 0.25	± ---	THIS DRAWING CONTAINS INFORMATION THAT IS PROPRIETARY TO MOLEX INCORPORATED AND SHOULD NOT BE USED WITHOUT WRITTEN PERMISSION				
			ANGULAR ± 2 °							

9 8 7 6 5 4 3 2 1

7 6 5 4 3 2 1

E

E

D

D

C

C

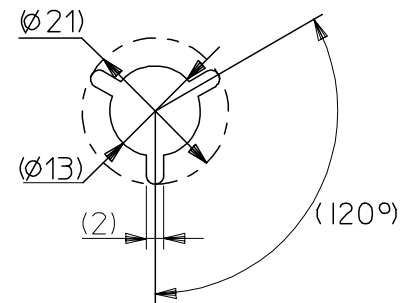
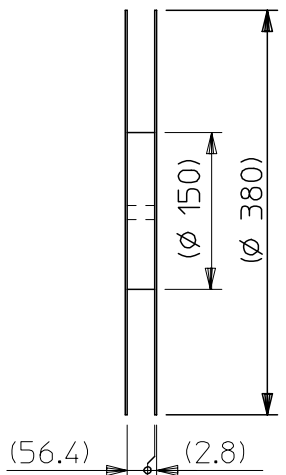
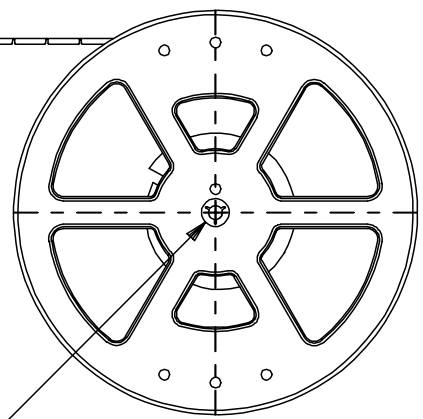
B

B

A

A

PULL OUT DIRECTION



DETAIL A

REVISED EC NO: SH2006-0636 DRWN: SMCHEN CHKD: APPR: JINCHEN	2006/05/05 2006/05/05 2006/05/09	QUALITY SYMBOLS ▽=0 □=0	GENERAL TOLERANCES (UNLESS SPECIFIED)		DIMENSION STYLE MM ONLY		SCALE N/A	DESIGN UNITS METRIC	THIRD ANGLE PROJECTION			
			4 PLACES ± --- ± ---	DRAWN BY AYIN	DATE 2004/11/04	TITLE M478A SOCKET ASSEMBLY WITH MYLAR TAPE AND REEL PACKAGE						
			3 PLACES ± --- ± ---	2 PLACES ± 0.25 ± ---	CHECKED BY JCHIANG	DATE 2004/11/04	MOLEX INCORPORATED					
			2 PLACES ± 0.25 ± ---	1 PLACE ± 0.25 ± ---	APPROVED BY VYAP	DATE 2004/11/04	MATERIAL NO. SEE SHEET 1		DOCUMENT NO. SD-47170-004	SHEET NO. 5 OF 5		
		ANGULAR ± 2 °		DRAFT WHERE APPLICABLE MUST REMAIN WITHIN DIMENSIONS		THIS DRAWING CONTAINS INFORMATION THAT IS PROPRIETARY TO MOLEX INCORPORATED AND SHOULD NOT BE USED WITHOUT WRITTEN PERMISSION						

6 5 4 3 2 1