

NOTES:

1. MATERIAL

HOUSING : LCP UL 94V-0 COLOUR: BLACK
 TERMINALS: COPPER ALLOY
 PICK & PLACE COVER: LCP. COLOUR: BLACK
 LOAD PLATE: STAINLESS STEEL
 STIFFENER PLATE: STAINLESS STEEL
 LEVER: STAINLESS STEEL
 SOLDERBALL :SEE PART NUMBER TABLE

2. PLATING: SEE PART NUMBER LEGEND FOR MIN GOLD ON CONTACT AREA. 1.27 μ m MIN NICKEL UNDERPLATE.

3. DIMENSIONS ARE TO THE CENTER OF LANDS OF MATING PACKAGE.

4. DIMENSIONS ARE TO THE CENTER POINTS OF CONTACT.

5. DATE CODE MARKING CONTAINS YEAR, WEEK AND ASSEMBLY LOCATION.

6. MINIMUM OPEN ANGLE TO RELEASE.

7. CENTER OF CPU PACKAGE/SOCKET HOUSING CAVITY.

8. CENTER OF MASS OF SOCKET.

9. PRODUCT SPECIFICATION PS-75319-002 APPLIES.

10. PRODUCT PACKAGE SPECIFICATION PK-75319-001 APPLIES.

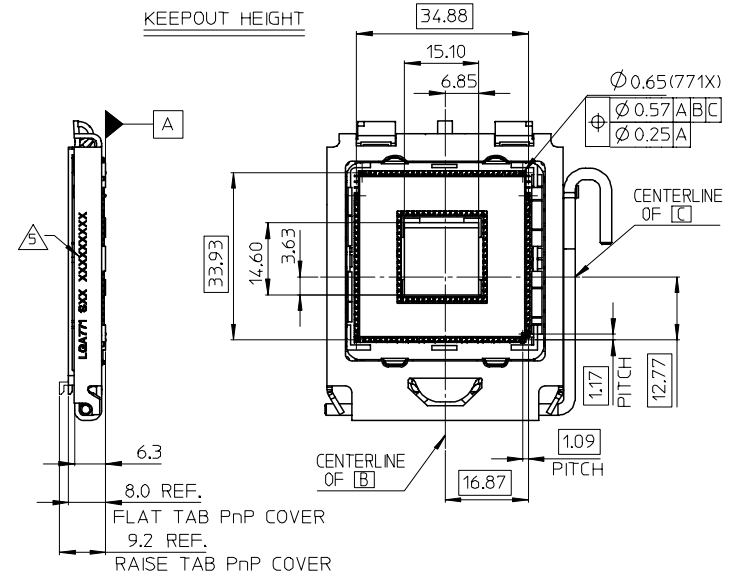
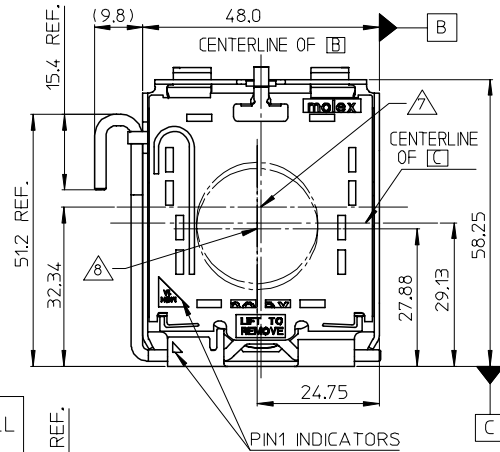
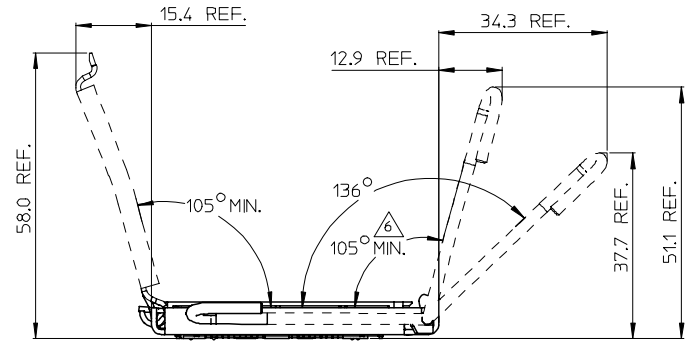
11. THE PARTS 47213**x5 COMPLIANT TO RoHS DIRECTIVE 2002/95/EC AND ELV 2000/53/EC.

PART NUMBER LEGEND

47213 - X X X X

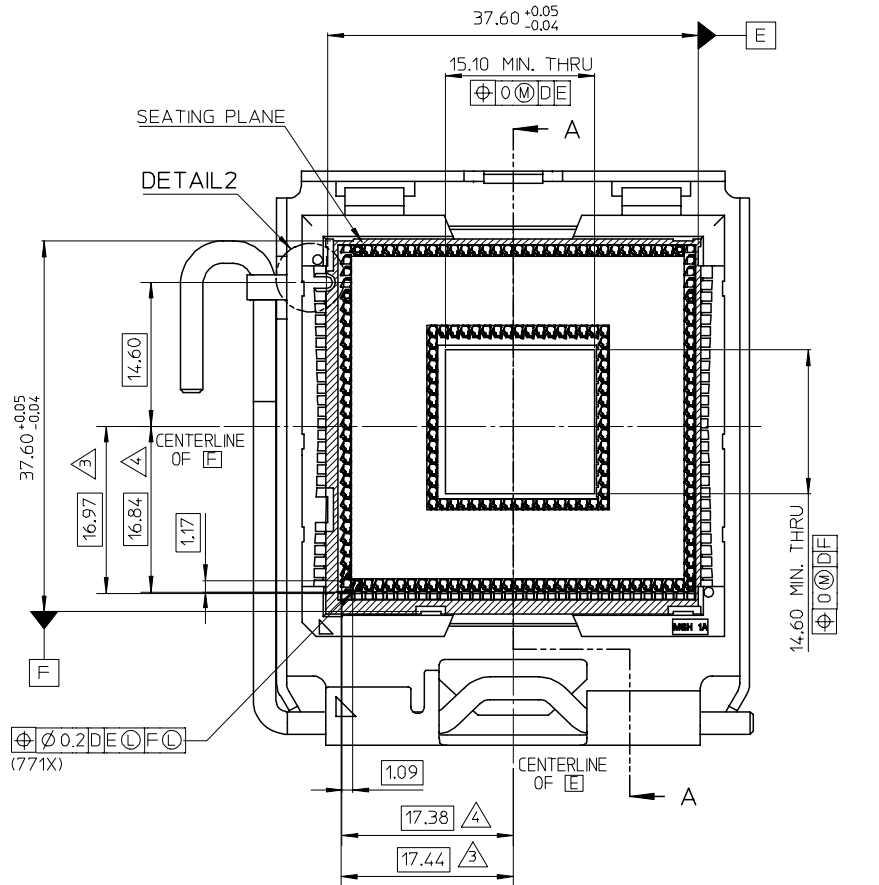
SOLDERBALL: 0 - EUTACTIC
 5 - LEADFREE
 AU THICKNESS: 0 - 30 μ " Au
 1 - 15 μ " Au
 2 - GOLDFLASH
 3 - 10 μ " Au
 LEVER: 0 - SHEPARD HOOK

PnP COVER: 0 - FLAT TAB TYPE
 1 - RAISE TAB TYPE



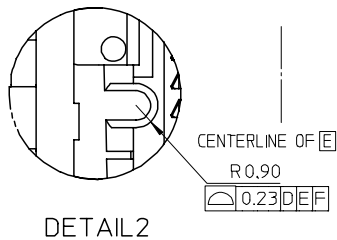
PART NUMBER SOCKET WITH DSL AND PICK AND PLACE COVER	PnP COVER	PART NUMBER SOCKET ONLY	SOLDERBALL MATERIAL
47213-10*0 (SHEPARD HOOK LEVER)	RAISE TAB	47215-0010	63Sn/37Pb
47213-00*0 (SHEPARD HOOK LEVER)	FLAT TAB		
47213-10*5 (SHEPARD HOOK LEVER)	RAISE TAB	47215-0015	LEADFREE
47213-00*5 (SHEPARD HOOK LEVER)	FLAT TAB		

RELEASED EC NO: 2006/08/25 DRWN:WFENG CHKD:ZHANG APPR: INCHEN 2006/12/01 2007/01/17	QUALITY SYMBOLS	GENERAL TOLERANCES (UNLESS SPECIFIED)	DIMENSION STYLE MM ONLY	SCALE 1:1	DESIGN UNITS METRIC	THIRD ANGLE PROJECTION
	<p>▽=0 ▽C=0</p> <p>4 PLACES ± --- ± --- 3 PLACES ± --- ± --- 2 PLACES ± 0.13 ± --- 1 PLACE ± 0.3 ± --- ANGULAR ± 2 °</p>	<p>mm INCH</p> <p>DRAWN BY XSZHANG DATE 2005/01/17 CHECKED BY JASON CHIANG DATE 2005/01/17 APPROVED BY YTYAP DATE 2005/01/17</p>	TITLE LGA771 SOCKET, FULL ASSEMBLY	MATERIAL NO. SEE TABLE	DOCUMENT NO. SD-47213-001	SHEET NO. 1 OF 3
	DESCRIPTION	DRAFT WHERE APPLICABLE MUST REMAIN WITHIN DIMENSIONS	THIS DRAWING CONTAINS INFORMATION THAT IS PROPRIETARY TO MOLEX INCORPORATED AND SHOULD NOT BE USED WITHOUT WRITTEN PERMISSION			

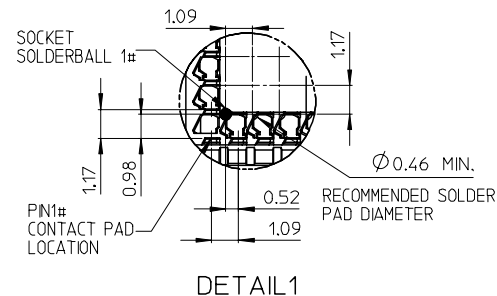
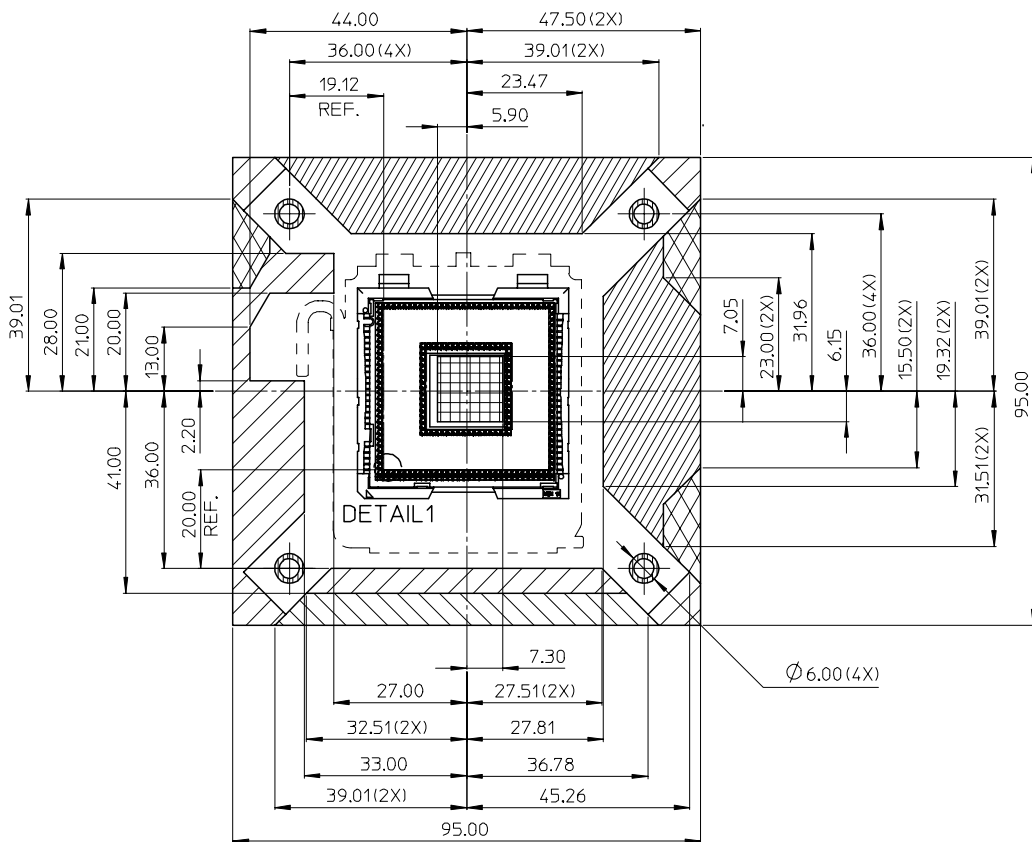


SECTION A-A

THESE VIEWS DON'T SHOW LOAD PLATE AND PnP COVER



RELEASED	EC NO:	2006/08/25	QUALITY SYMBOLS	GENERAL TOLERANCES (UNLESS SPECIFIED)	DIMENSION STYLE		SCALE	DESIGN UNITS	THIRD ANGLE PROJECTION	
	DRWN:WFJENG	2006/12/01			MM ONLY	2:1	METRIC			
B	CHKD:ZHANG	2006/12/01	▽=0	4 PLACES ± --- ± ---	DRAWN BY	DATE	TITLE			
	APPR:JNCHEN	2007/01/17	∇=0	3 PLACES ± --- ± ---	XSZHANG	2005/01/17				
REV	DESCRIPTION			2 PLACES ± 0.13 ± ---	CHECKED BY	DATE	LGA771 SOCKET, FULL ASSEMBLY			
				1 PLACE ± 0.3 ± ---	JASON CHIANG	2005/01/17				
				ANGULAR ± 2 °	APPROVED BY	DATE	MOLEX INCORPORATED			
					YTYAP	2005/01/17				
					MATERIAL NO.	DATE	SD-47213-001			
					SEE TABLE		SHEET NO. 2 OF 3			
					DRAFT WHERE APPLICABLE MUST REMAIN WITHIN DIMENSIONS					
					SIZE A3		THIS DRAWING CONTAINS INFORMATION THAT IS PROPRIETARY TO MOLEX INCORPORATED AND SHOULD NOT BE USED WITHOUT WRITTEN PERMISSION			



LEGEND	
[Hatched Pattern]	SOCKET/THERMO/MECH COMP KEEP-IN
[Diagonal Hatching]	10.0MM MAX. COMP. HT
[Diagonal Hatching]	6.0MM MAX. COMP. HT
[Diagonal Hatching]	2.5MM MAX. COMP. HT
[Cross-hatching]	25.0MM MAX. COMP. HT
[Grid Pattern]	1.8MM MAX. COMP. HT
[Vertical Lines]	BOARD ROUTING KEEP-OUT

RELEASED EC NO: 2006/08/25 DRWN: WFDENG CHKD: ZHANG APPR: JNCHEN 2006/12/01 2007/01/17	QUALITY SYMBOLS ▽=0 ◻=0	GENERAL TOLERANCES (UNLESS SPECIFIED)		DIMENSION STYLE MM ONLY	SCALE 1:1	DESIGN UNITS METRIC	THIRD ANGLE PROJECTION	
		4 PLACES ± --- ± --- 3 PLACES ± --- ± --- 2 PLACES ± 0.13 ± --- 1 PLACE ± 0.3 ± --- ANGULAR ± 2 °	mm INCH	DRAWN BY XSZHANG DATE 2005/01/17 CHECKED BY JASON CHIANG DATE 2005/01/17 APPROVED BY YTYAP DATE 2005/01/17	TITLE LGA771 SOCKET, FULL ASSEMBLY	MATERIAL NO.	DOCUMENT NO. SD-47213-001	SHEET NO. 3 OF 3
		DRAFT WHERE APPLICABLE MUST REMAIN WITHIN DIMENSIONS		SIZE A3	THIS DRAWING CONTAINS INFORMATION THAT IS PROPRIETARY TO MOLEX INCORPORATED AND SHOULD NOT BE USED WITHOUT WRITTEN PERMISSION			
		MOLEX INCORPORATED						