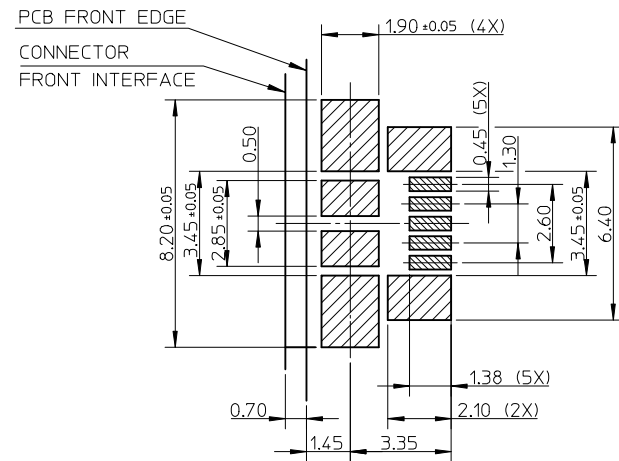
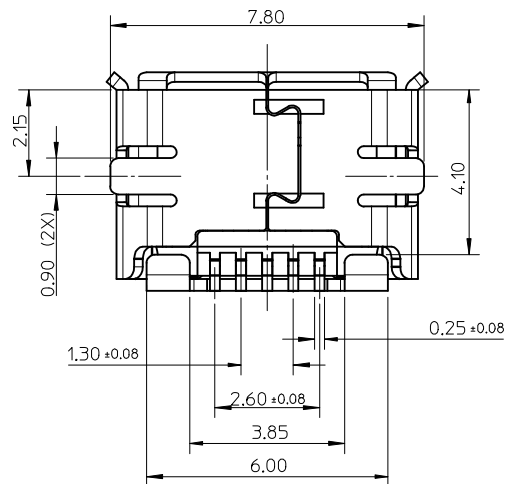


NOTES:

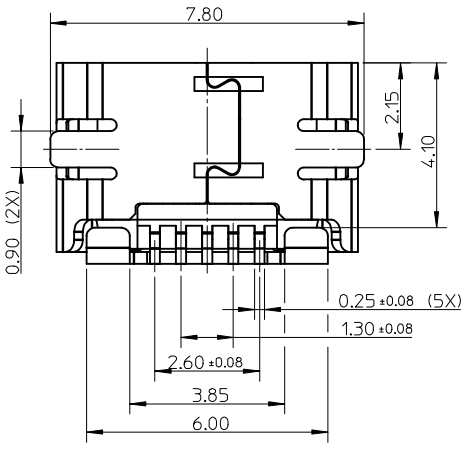
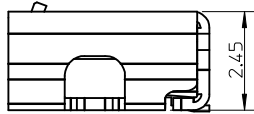
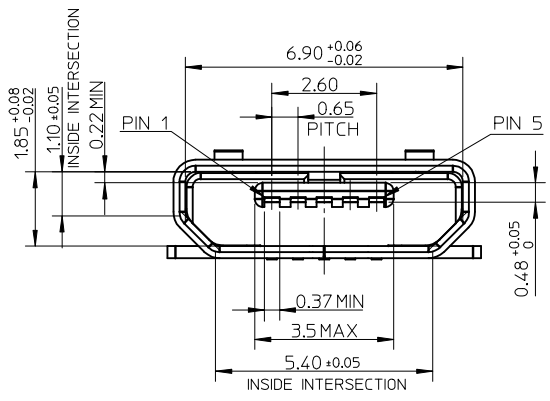
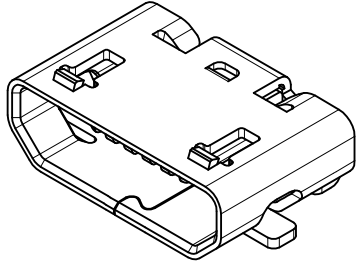
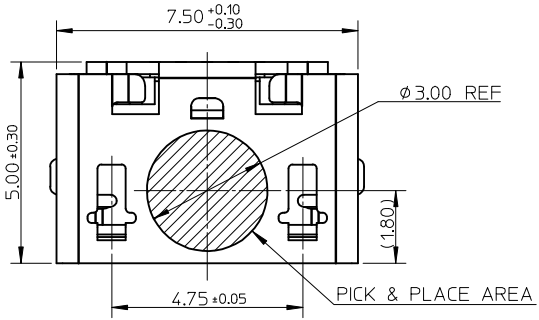
- MATERIAL:
HOUSING: LCP, BLACK, UL94V-0;
TERMINAL: COPPER ALLOY, THICKNESS: 0.15mm;
SHELL: STAINLESS STEEL, THICKNESS: 0.30mm.
- PLATING:
TERMINAL:
CONTACT AREA: GOLD FLASH OVER MINIMUM 0.75MICRON Pd/Ni;
SOLDER TAIL AREA: GOLD FLASH;
UNDER PLATING: NICKEL 2.0MICRON MINIMUM.
SHELL:
MATTE TIN 3.8MICRON MINIMUM;
UNDER PLATING: NICKEL 1.27MICRON MINIMUM.
- TAIL & NAIL COPLANARITY 0.08mm MAXIMUM.
- PRODUCT SPECIFICATION: PS-47346-001.
- PACKAGE SPECIFICATION: PK-47346-001.
- COMPLIANT TO RoHS DIRECTIVE 2002/95/EC AND ELV 2000/53/EC.



RECOMMENDED P.C.B. PATTERN LAYOUT
GENERAL TOLERANCE: ±0.05



REVISED EC NO: SH2013-0426 DRWN:XOZHANG 2013/05/28 CHKD:XOZHANG 2013/05/28 APPR:AYTN 2013/06/13	DESCRIPTION REV	QUALITY SYMBOLS ▽ _F =0 ▽ _F =0 ▽ _F =0	GENERAL TOLERANCES (UNLESS SPECIFIED)		DIMENSION STYLE MM ONLY		SCALE 8:1	DESIGN UNITS METRIC	THIRD ANGLE PROJECTION	
			mm	INCH	DRAWN BY XJ SONG	DATE 2006/12/11	TITLE MICRO USB B REC. BOTTOM MOUNT ASS'Y			
			4 PLACES ± --- ± ---	3 PLACES ± --- ± ---	CHECKED BY I WANG	DATE 2006/12/11	molex			
			2 PLACES ± 0.25 ± ---	1 PLACE ± 0.25 ± ---	APPROVED BY JN CHEN	DATE 2006/12/11				
				MATERIAL NO. 47346-0001		DOCUMENT NO. SD-47346-001		SHEET NO. 1 OF 2		
ANGULAR ± 3 °		DRAFT WHERE APPLICABLE MUST REMAIN WITHIN DIMENSIONS		THIS DRAWING CONTAINS INFORMATION THAT IS PROPRIETARY TO MOLEX INCORPORATED AND SHOULD NOT BE USED WITHOUT WRITTEN PERMISSION						



SEE SHEET 1 EC NO: SH2013-0426 DRWN: XQZHANG 2013/05/28 CHKD: XQZHANG 2013/05/28 APPR: AYIN 2013/06/13	QUALITY SYMBOLS ▽ _F =0 ▽ _F =0 ▽ _F =0	GENERAL TOLERANCES (UNLESS SPECIFIED)		DIMENSION STYLE MM ONLY	SCALE 8:1	DESIGN UNITS METRIC	THIRD ANGLE PROJECTION	
		mm	INCH	DRAWN BY XJSONG	DATE 2006/12/11	TITLE MICRO USB B REC. BOTTOM MOUNT ASS'Y FLANGELESS TYPE		
REV	DESCRIPTION	4 PLACES	± ---	± ---	CHECKED BY IWANG	DATE 2006/12/11	APPROVED BY JNCHEN	DATE 2006/12/11
		3 PLACES	± ---	± ---	APPROVED BY JNCHEN	DATE 2006/12/11		
		2 PLACES	± 0.25	± ---	MATERIAL NO. 47346-1001			DOCUMENT NO. SD-47346-001
		1 PLACE	± 0.25	± ---	SHEET NO. 2 OF 2			
		0 PLACE	±	±	THIS DRAWING CONTAINS INFORMATION THAT IS PROPRIETARY TO MOLEX INCORPORATED AND SHOULD NOT BE USED WITHOUT WRITTEN PERMISSION			
		ANGULAR ± 3°		DRAFT WHERE APPLICABLE MUST REMAIN WITHIN DIMENSIONS				