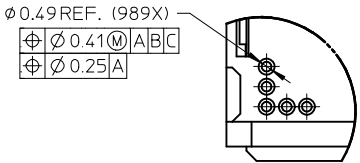
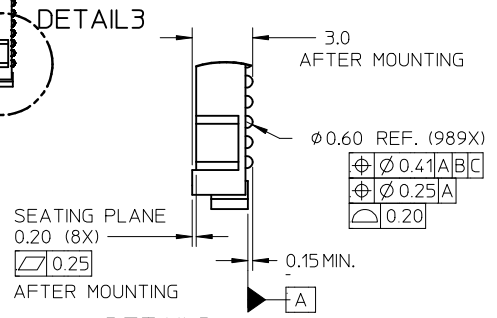
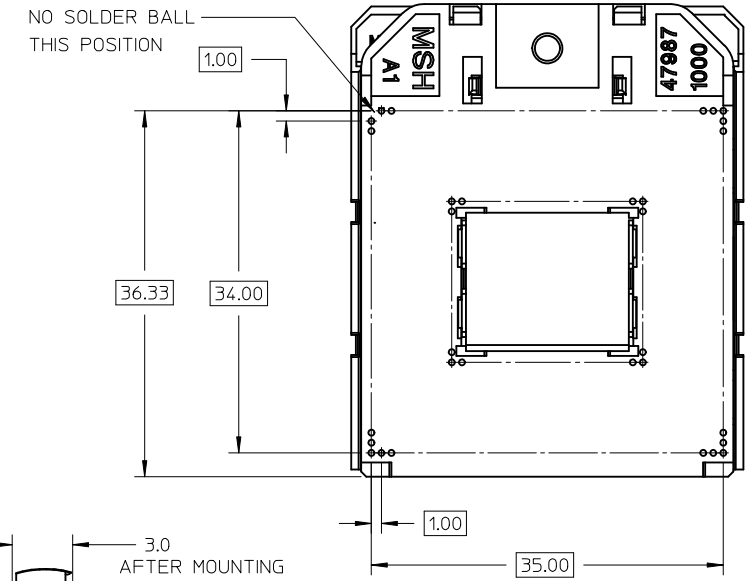


- NOTES:
- 1) THIS SOCKET COMPLIES WITH ALL SPECIFICATIONS AND PERFORMANCE REQUIREMENTS FOR INTEL rPGA98X SERIES CPU PROCESSORS.
  - 2) SOCKET SHOWN IN OPEN POSITION.
  - 3) SEE SHEET 2 FOR DETAILS PERTAINING TO KEYING, MATERIAL AND PACKAGING OPTIONS.
  - 4) THIS PRODUCT SERIES COMPLIANT TO RoHS DIRECTIVE 2002/95/EC AND ELV DIRECTIVE 2000/53/EC.

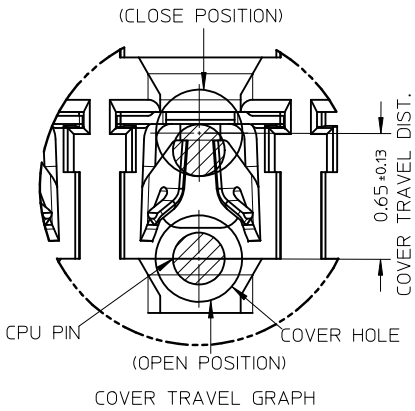
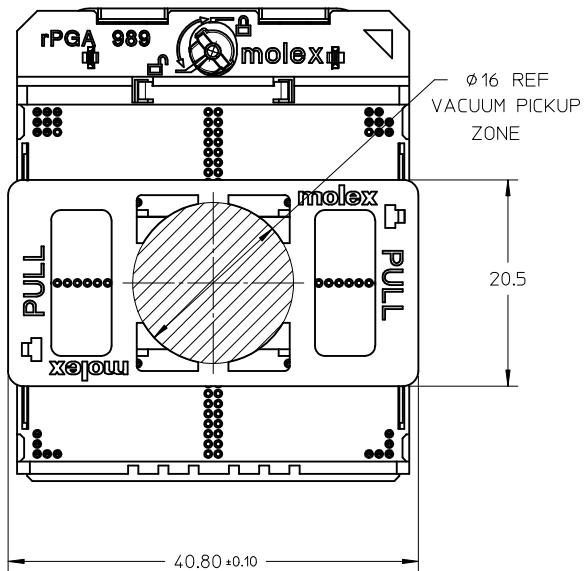


DETAIL 2

DETAIL 3

REVISED EC NO: SH2012-0185 DRWN: YZHENG 2011/11/08 CHKD: APPR: AYIN 2012/06/06	DESCRIPTION RPGA SOCKET 989 ASSEMBLY (SOCKET G2)	QUALITY SYMBOLS	GENERAL TOLERANCES (UNLESS SPECIFIED)		DIMENSION STYLE	SCALE	DESIGN UNITS	THIRD ANGLE PROJECTION
		$\nabla_A = 0$ $\nabla_C = 0$ $\nabla_P = 0$	mm	INCH	MM ONLY	2:1	METRIC	
		4 PLACES ± --- ± --- 3 PLACES ± --- ± --- 2 PLACES ± 0.10 ± --- 1 PLACE ± 0.20 ± --- ANGULAR ± 2 °	DRAWN BY DATE AYIN 2010/07/29		TITLE RPGA SOCKET 989 ASSEMBLY (SOCKET G2)			
		DRAFT WHERE APPLICABLE MUST REMAIN WITHIN DIMENSIONS	CHECKED BY DATE		MOLEX INCORPORATED			
			APPROVED BY DATE AYIN 2010/09/03		DOCUMENT NO. SD-47989-003		SHEET NO. 1 OF 4	
			MATERIAL NO. SEE TABLE		THIS DRAWING CONTAINS INFORMATION THAT IS PROPRIETARY TO MOLEX INCORPORATED AND SHOULD NOT BE USED WITHOUT WRITTEN PERMISSION			

REMOVEABLE PICK & PLACE CAP



DETAIL 40:1

NOTES:

1) MATERIALS:

- MOLDED COMPONENTS: LIQUID CRYSTAL POLYMER (LCP) UL 94V-0
- BASE HOUSING COLOR: BLACK
- COVER COLOR: SEE PART LIST ON SHEET 3
- MYLAR (POLYIMIDE; COLOR: ORANGE) OR PnP COVER (LCP; COLOR: BLACK) FOR PICK & PLACE.
- CONTACTS: HIGH STRENGTH COPPER ALLOY
- PLATING: GOLD THICKNESS AS FOLLOWING TABLE 1-3 IN CONTACT AREA, 1.3µm NICKEL OVERALL
- CAM COMPONENTS: STAINLESS STEEL
- SOLDER BALL: LEAD-FREE BALL SnAg3.0Cu0.5

2) DATE CODE \*\*\*\*\*

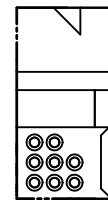
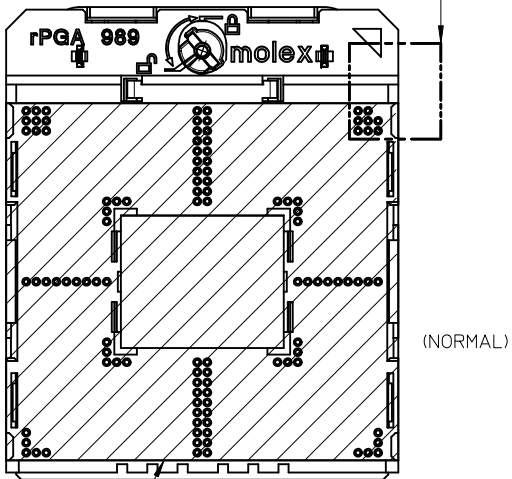


3) PRODUCT SPECIFICATION PS-47989-00\* APPLIES

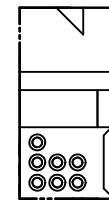
- 4) PACKAGING SPECIFICATION: PK-47989-001 (TAPE & REEL)
- PK-47989-002 (HARD TRAY)

SOCKET KEYING OPTIONS

MYLAR PICK & PLACE OPTION



rPGA989  
47989-05\*\*



rPGA988B  
47989-07\*\*

REVISED EC NO: SH2012-0185 DRWN: YXZHENG 2011/11/08 CHKD: APPR: AYIN 2012/06/04 REV	QUALITY SYMBOLS	GENERAL TOLERANCES (UNLESS SPECIFIED)		DIMENSION STYLE	SCALE	DESIGN UNITS	THIRD ANGLE PROJECTION
	$F_A=0$	mm	INCH	MM ONLY	2:1	METRIC	
	$F_C=0$	4 PLACES ± --- ± ---	3 PLACES ± --- ± ---	DRAWN BY	DATE	TITLE	
	$F_D=0$	2 PLACES ± 0.10 ± ---	1 PLACE ± 0.20 ± ---	AYIN	2010/07/29	RPGA SOCKET 989 ASSEMBLY (SOCKET G2)	
	ANGULAR ± 2°	DRAFT WHERE APPLICABLE MUST REMAIN WITHIN DIMENSIONS		CHECKED BY	DATE	APPROVED BY	
				AYIN	2010/09/03	DATE	
				MATERIAL NO.		MOLEX INCORPORATED	
				SEE TABLE		DOCUMENT NO.	
				SIZE A3		SD-47989-003	
				THIS DRAWING CONTAINS INFORMATION THAT IS PROPRIETARY TO MOLEX INCORPORATED AND SHOULD NOT BE USED WITHOUT WRITTEN PERMISSION		SHEET NO. 2 OF 4	

PART NO. OF GF PLATING WITH NATURAL COVERL- TABLE 1

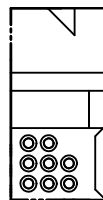
PART NUMBER	PICK UP TYPE		PACKAGE TYPE	
	MYLAR	CAP	T&R	HARD TRAY
47989-0510	◆			◆
47989-0520	◆		◆	
47989-0530		◆		◆
47989-0540		◆	◆	
47989-0710	◆			◆
47989-0720	◆		◆	
47989-0730		◆		◆
47989-0740		◆	◆	

PART NO. OF 10u" MIN GOLD PLATING WITH NATURAL COVER- TABLE 2

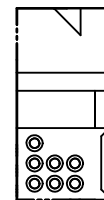
PART NUMBER	PICK UP TYPE		PACKAGE TYPE	
	MYLAR	CAP	T&R	HARD TRAY
47989-0511	◆			◆
47989-0521	◆		◆	
47989-0531		◆		◆
47989-0541		◆	◆	
47989-0711	◆			◆
47989-0721	◆		◆	
47989-0731		◆		◆
47989-0741		◆	◆	

PART NO. OF 15u" MIN. GOLD PLATING- WITH NATURAL COVER -TABLE 3

PART NUMBER	PICK UP TYPE		PACKAGE TYPE	
	MYLAR	CAP	T&R	HARD TRAY
47989-0512	◆			◆
47989-0522	◆		◆	
47989-0532		◆		◆
47989-0542		◆	◆	
47989-0712	◆			◆
47989-0722	◆		◆	
47989-0732		◆		◆
47989-0742		◆	◆	



rPGA989  
47989-05\*\*



rPGA988B  
47989-07\*\*

REVISED EC NO: SH2012-0185 DRWN: YXZHENG CHKD: APPR: AYIN 2011/11/08 2012/06/04	DESCRIPTION REV	QUALITY SYMBOLS	GENERAL TOLERANCES (UNLESS SPECIFIED)	DIMENSION STYLE	SCALE	DESIGN UNITS	THIRD ANGLE PROJECTION	
		$F_A=0$ $F_G=0$ $F_P=0$	mm    INCH 4 PLACES ± --- ± --- 3 PLACES ± --- ± --- 2 PLACES ± 0.10 ± --- 1 PLACE ± 0.20 ± --- ANGULAR ± 2 °	MM ONLY	2:1	METRIC	DRAWN BY: AYIN    DATE: 2010/07/29 CHECKED BY:    DATE:	TITLE RPGA SOCKET 989 ASSEMBLY (SOCKET G2)
		DRAFT WHERE APPLICABLE MUST REMAIN WITHIN DIMENSIONS	APPROVED BY: AYIN    DATE: 2010/09/03 MATERIAL NO.	MOLEX INCORPORATED DOCUMENT NO.	SHEET NO.			
		SEE TABLE	SD-47989-003	3 OF 4	THIS DRAWING CONTAINS INFORMATION THAT IS PROPRIETARY TO MOLEX INCORPORATED AND SHOULD NOT BE USED WITHOUT WRITTEN PERMISSION			

10 9 8 7 6 5 4 3 2 1

F

E

D

C

B

A

F

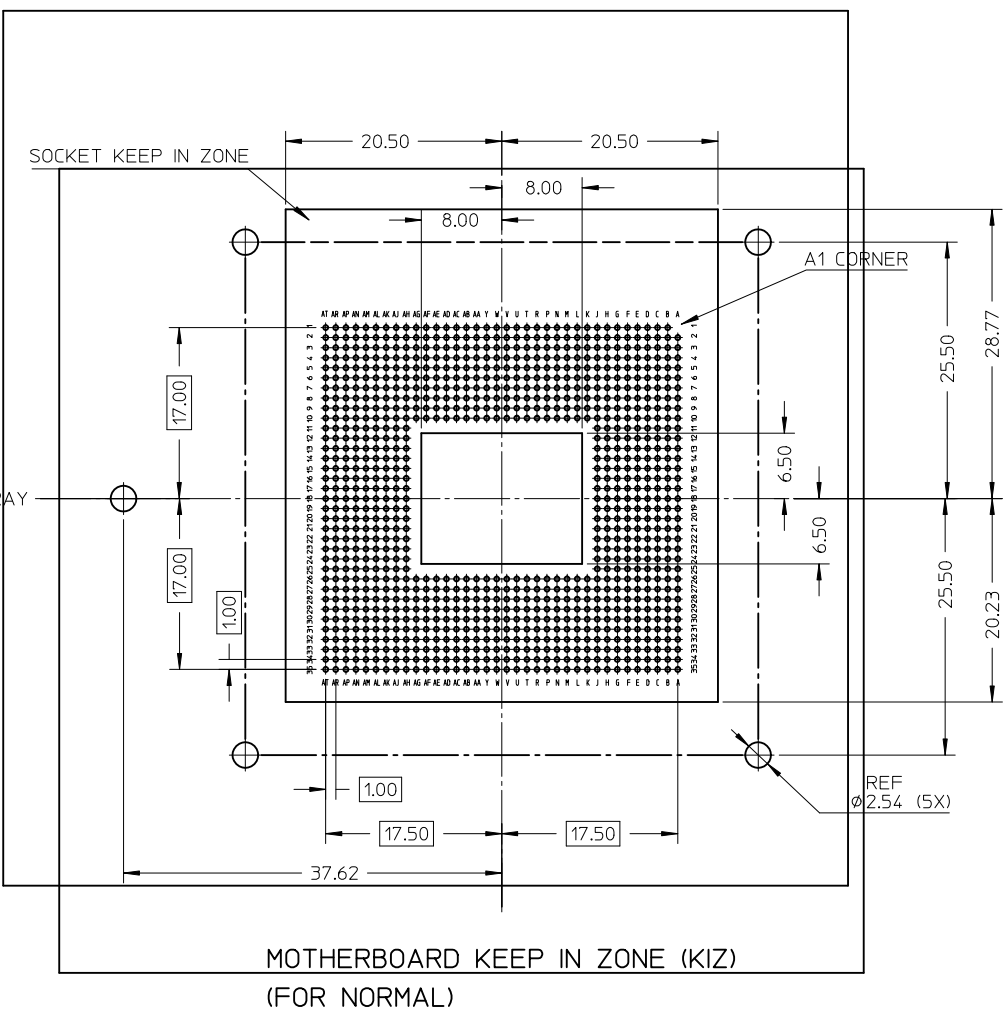
E

D

C

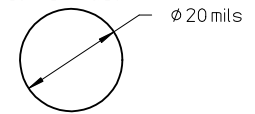
B

A

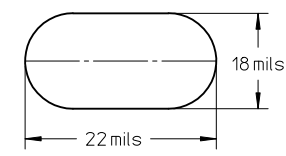


NOTES:  
shape pada of PCB are recommended

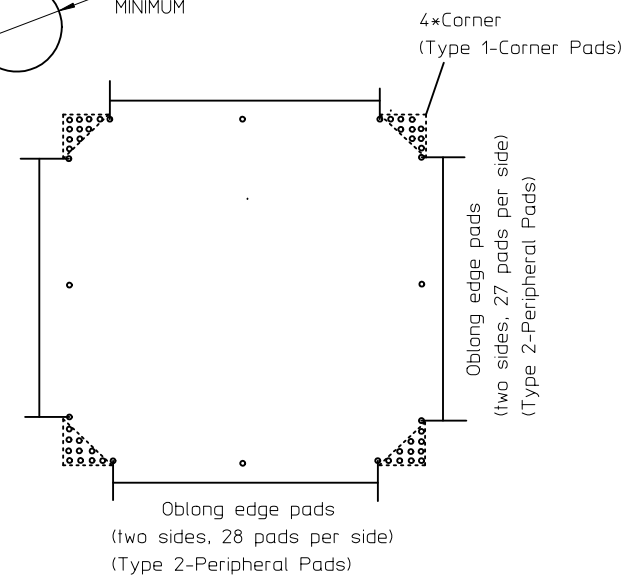
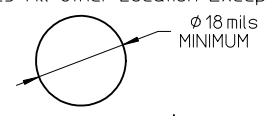
TYPE1-Corner Pads



TYPE2-Peripheral Pads(Oblong-shape pada are recommended)



TYPE3-All Other Location Except for those of Type1 and Type2 Locations)



MOTHERBOARD KEEP IN ZONE (KIZ)  
(FOR NORMAL)

9 8 7 6 5 4 3 2 1

REVISED EC NO: SH2012-0185 DRWN: YXZHENG 2011/11/08 CHKD: APPR: AYIN 2012/06/04	QUALITY SYMBOLS $F_A = 0$ $F_C = 0$ $F_P = 0$	GENERAL TOLERANCES (UNLESS SPECIFIED) mm INCH 4 PLACES ± --- ± --- 3 PLACES ± --- ± --- 2 PLACES ± 0.10 ± --- 1 PLACE ± 0.20 ± --- ANGULAR ± 2 °	DIMENSION STYLE MM ONLY DRAWN BY DATE AYIN 2010/07/29 CHECKED BY DATE APPROVED BY DATE AYIN 2010/09/03 MATERIAL NO.	SCALE 2:1 DESIGN UNITS METRIC THIRD ANGLE PROJECTION	TITLE RPGA SOCKET 989 ASSEMBLY (SOCKET G2)	MOLEX INCORPORATED DOCUMENT NO. SD-47989-003 SHEET NO. 4 OF 4
	DRAFT WHERE APPLICABLE MUST REMAIN WITHIN DIMENSIONS		SEE TABLE	THIS DRAWING CONTAINS INFORMATION THAT IS PROPRIETARY TO MOLEX INCORPORATED AND SHOULD NOT BE USED WITHOUT WRITTEN PERMISSION		