

NOTE:

1.MATERIALS:

HOUSING: HIGH TEMPERATURE THERMOPLASTIC, BLACK, UL94 V-0.

TERMINAL : NAIL AND SWITCH: COPPER ALLOY.

METAL SHELL: STAINLESS STEEL

2.FINISH:

TERMINAL: NICKEL OVERALL UNDERPLATING, THICKNESS : 1.27 MICROMETER MIN. SELECTIVE GOLD ON CONTACT AREA, THICKNESS : 0.2 MICROMETER MIN. TIN ALLOY ON SOLDER AREA. THICKNESS : 3 MICROMETER MIN.

SWITCH: NICKEL OVERALL UNDERPLATING, THICKNESS : 1.27 MICROMETER MIN. SELECTIVE GOLD ON CONTACT AREA, THICKNESS : 0.05 MICROMETER MIN. TIN ALLOY ON SOLDER AREA. THICKNESS : 3 MICROMETER MIN.

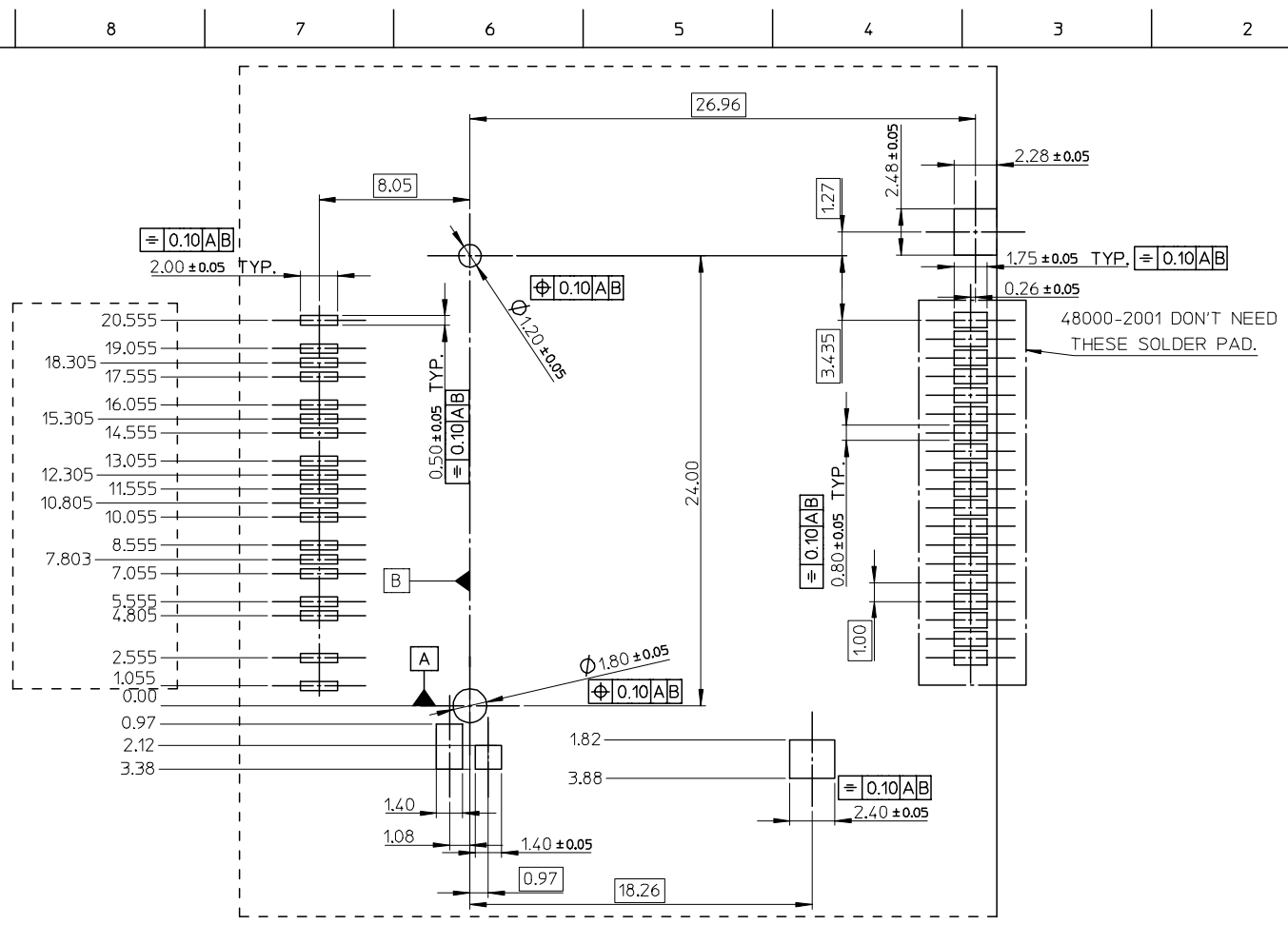
NAIL: NICKEL OVERALL UNDERPLATING, THICKNESS : 1.27 MICROMETER MIN. TIN ALLOY ,THICKNESS : 3 MICROMETER MIN. ON SOLDER AREA

3.COPLANARITY: 0.15 MAX.

4.PRODUCT SPECIFICATION: PS-48000-001

5.PACKAGING: PK-48000-001

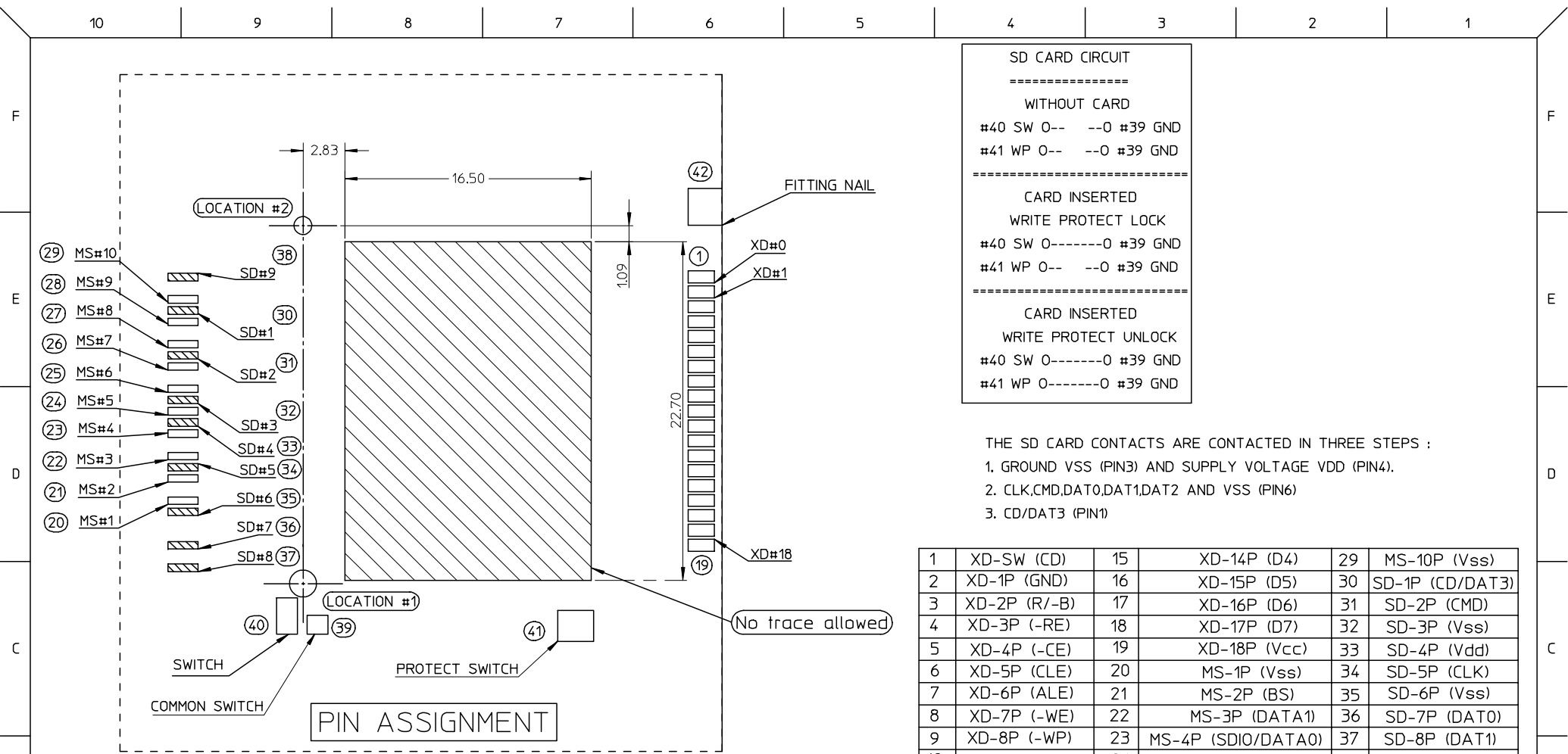
RTM	EC NO:	2005/12/28	QUALITY SYMBOLS	GENERAL TOLERANCES (UNLESS SPECIFIED)		SCALE	DESIGN UNITS	THIRD ANGLE PROJECTION	REVISE ON CAD ONLY	
	DRWN:	HZHA006		mm	INCH	1:1	METRIC			
	CHKD:	2006/03/27		4 PLACES	± ---	± ---	DIMENSION STYLE		TITLE	MEMORY COMBO CONNECTOR PUSH PUSH TYPE
	APPR:	GRMA		3 PLACES	± 0.150	± ---	MM ONLY			
REV	DESCRIPTION	2 PLACES	± 0.25	± ---	DRAWN BY	DATE	MOLEX INCORPORATED			
		1 PLACE	± 0.25	± ---	FOX.WU	2003/07/11	MATERIAL NO. 48000-1001			
		ANGULAR ± 3 °		DRAFT WHERE APPLICABLE		CHECKED BY	DATE	DOCUMENT NO.	SHEET NO.	
		MUST REMAIN WITHIN DIMENSIONS		THIS DRAWING CONTAINS INFORMATION THAT IS PROPRIETARY TO MOLEX INCORPORATED AND SHOULD NOT BE USED WITHOUT WRITTEN PERMISSION		W.CHANG	2003/07/11	SD-48000-001	1 OF 5	



FOOT PRINT

RECOMMENDED PCB THICKNESS : 1.0 mm

RTM	EC NO: DRWN:HZHA006 2005/12/28 CHKD: 2006/03/27 APPR:GRMA 2006/03/29	QUALITY SYMBOLS	GENERAL TOLERANCES (UNLESS SPECIFIED)		SCALE 1:1	DESIGN UNITS METRIC	THIRD ANGLE PROJECTION	REVISE ON CAD ONLY																	
		▼ - 0 C - 0 S - 0	<table border="1"> <thead> <tr> <th></th> <th>mm</th> <th>INCH</th> </tr> </thead> <tbody> <tr> <td>4 PLACES</td> <td>± ---</td> <td>± ---</td> </tr> <tr> <td>3 PLACES</td> <td>± 0.150</td> <td>± ---</td> </tr> <tr> <td>2 PLACES</td> <td>± 0.25</td> <td>± ---</td> </tr> <tr> <td>1 PLACE</td> <td>± 0.25</td> <td>± ---</td> </tr> </tbody> </table>			mm	INCH	4 PLACES	± ---	± ---	3 PLACES	± 0.150	± ---	2 PLACES	± 0.25	± ---	1 PLACE	± 0.25	± ---	DIMENSION STYLE MM ONLY		TITLE MEMORY COMBO CONNECTOR PUSH PUSH TYPE			
				mm	INCH																				
			4 PLACES	± ---	± ---																				
3 PLACES	± 0.150	± ---																							
2 PLACES	± 0.25	± ---																							
1 PLACE	± 0.25	± ---																							
DRAFT WHERE APPLICABLE MUST REMAIN WITHIN DIMENSIONS		CHECKED BY W.CHANG 2003/07/11		MATERIAL NO. 48000-1001		DOCUMENT NO. SD-48000-001																			
		APPROVED BY E.LAN 2003/07/11		SHEET NO. 2 OF 5		THIS DRAWING CONTAINS INFORMATION THAT IS PROPRIETARY TO MOLEX INCORPORATED AND SHOULD NOT BE USED WITHOUT WRITTEN PERMISSION		A3																	



SD CARD CIRCUIT
 =====
 WITHOUT CARD
 #40 SW 0-- --0 #39 GND
 #41 WP 0-- --0 #39 GND
 =====
 CARD INSERTED
 WRITE PROTECT LOCK
 #40 SW 0-----0 #39 GND
 #41 WP 0-- --0 #39 GND
 =====
 CARD INSERTED
 WRITE PROTECT UNLOCK
 #40 SW 0-----0 #39 GND
 #41 WP 0-----0 #39 GND

- THE SD CARD CONTACTS ARE CONTACTED IN THREE STEPS :
1. GROUND VSS (PIN3) AND SUPPLY VOLTAGE VDD (PIN4).
 2. CLK,CMD,DAT0,DAT1,DAT2 AND VSS (PIN6)
 3. CD/DAT3 (PIN1)

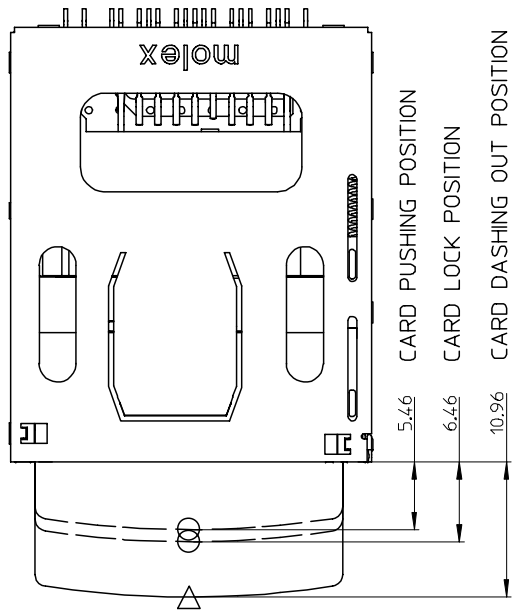
1	XD-SW (CD)	15	XD-14P (D4)	29	MS-10P (Vss)
2	XD-1P (GND)	16	XD-15P (D5)	30	SD-1P (CD/DAT3)
3	XD-2P (R/-B)	17	XD-16P (D6)	31	SD-2P (CMD)
4	XD-3P (-RE)	18	XD-17P (D7)	32	SD-3P (Vss)
5	XD-4P (-CE)	19	XD-18P (Vcc)	33	SD-4P (Vdd)
6	XD-5P (CLE)	20	MS-1P (Vss)	34	SD-5P (CLK)
7	XD-6P (ALE)	21	MS-2P (BS)	35	SD-6P (Vss)
8	XD-7P (-WE)	22	MS-3P (DATA1)	36	SD-7P (DAT0)
9	XD-8P (-WP)	23	MS-4P (SDIO/DATA0)	37	SD-8P (DAT1)
10	XD-9P (GND)	24	MS-5P (DATA2)	38	SD-9P (DAT2)
11	XD-10P (D0)	25	MS-6P (INS)	39	SD-SW (GND)
12	XD-11P (D1)	26	MS-7P (DATA3)	40	SW (RSV)
13	XD-12P (D2)	27	MS-8P (SCLK)	41	SD-SW (WP)
14	XD-13P (D3)	28	MS-9P (Vcc)		

PIN ASSIGNMENT

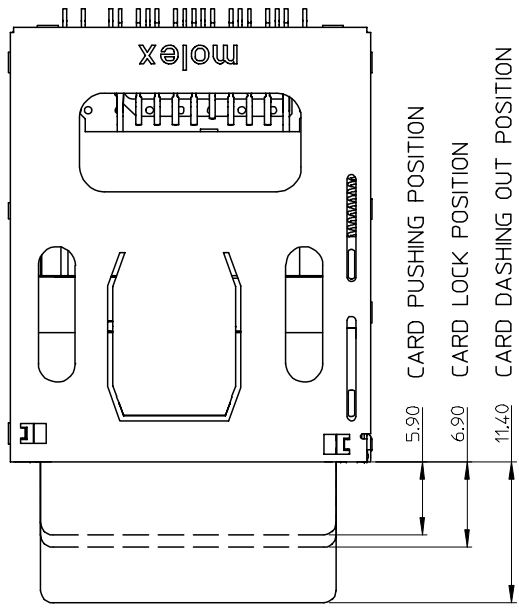
RTM	EC NO:	DRWN:	2005/12/28	QUALITY SYMBOLS	GENERAL TOLERANCES (UNLESS SPECIFIED)	SCALE 1:1	DESIGN UNITS METRIC	THIRD ANGLE PROJECTION	REVISE ON CAD ONLY	
	CHKD:	2006/03/27	4 PLACES							± ---
	APPR:	2006/03/29	3 PLACES	± 0.150	± ---	DRAWN BY	DATE	MOLEX INCORPORATED		
	REV	DESCRIPTION	2 PLACES	± 0.25	± ---	FOX.WU	2003/07/11		MATERIAL NO.	DOCUMENT NO.
		1 PLACE	± 0.25	± ---	W.CHANG	2003/07/11	48000-1001	SD-48000-001	3 OF 5	
		ANGULAR ± 3 °			DRAFT WHERE APPLICABLE	APPROVED BY	DATE	THIS DRAWING CONTAINS INFORMATION THAT IS PROPRIETARY TO MOLEX INCORPORATED AND SHOULD NOT BE USED WITHOUT WRITTEN PERMISSION		
					MUST REMAIN WITHIN DIMENSIONS	E.LAN	2003/07/11	A3		

10 9 8 7 6 5 4 3 2 1

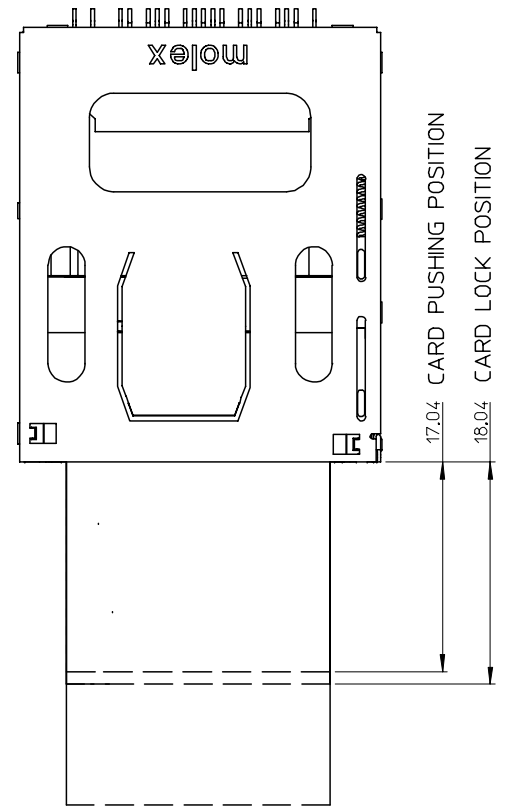
F
E
D
C
B
A



xD card



MMC/SD card

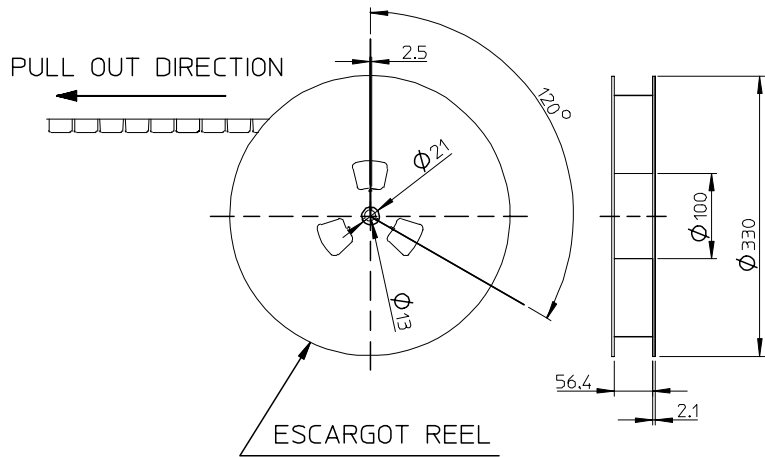


MS card

F
E
D
C
B
A

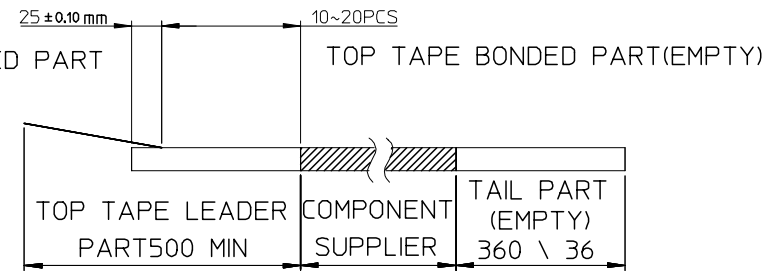
9 8 7 6 5 4 3 2 1

RTM	EC NO:	DRWN:	2005/12/28	QUALITY SYMBOLS	GENERAL TOLERANCES (UNLESS SPECIFIED)		SCALE	DESIGN UNITS	THIRD ANGLE PROJECTION	REVISE ON CAD ONLY
	CHKD:	2006/03/27	4 PLACES		± ---	± ---	1:1	METRIC		
	APPR:	GRMA	2006/03/29		3 PLACES	± 0.150	± ---	DIMENSION STYLE		TITLE
	REV	DESCRIPTION	1 PLACE		± 0.25	± ---	MM ONLY		DRAWN BY	
		ANGULAR	± 3 °	DRAFT WHERE APPLICABLE		FOX.WU	2003/07/11	MOLEX INCORPORATED		
				MUST REMAIN WITHIN DIMENSIONS		CHECKED BY	DATE		MATERIAL NO.	DOCUMENT NO.
						W.CHANG	2003/07/11	48000-1001	SD-48000-001	4 OF 5
						APPROVED BY	DATE	THIS DRAWING CONTAINS INFORMATION THAT IS PROPRIETARY TO MOLEX INCORPORATED AND SHOULD NOT BE USED WITHOUT WRITTEN PERMISSION		
						E.LAN	2003/07/11	A3		

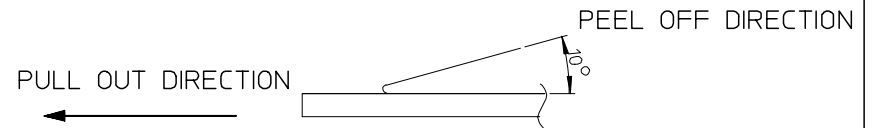


NOTES

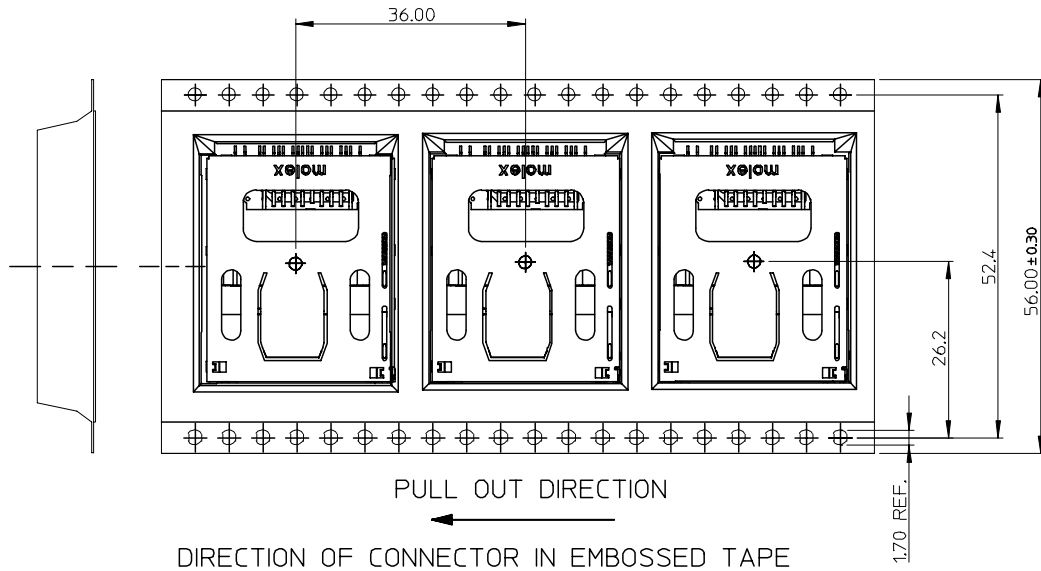
1. NUMBER OF CONNECTORS: 250 PCS/REEL



3. PEEL OFF FORCE OF TOP TAPE: 0.1~1.3 N (10.2~130gf)
 PEELING DIRECTION AS SHOWN IN FOLLOWING FIG.)
 (PEEL OFF SPEED: 300mm/min.REF.)



4. PACKAGING DRAWING REFERS TO PK-48000-001



DIRECTION OF CONNECTOR IN EMBOSSED TAPE

RTM	EC NO: DRWN:HZA006 2005/12/28 CHKD: 2006/03/27 APPR: GRMA 2006/03/29	QUALITY SYMBOLS	GENERAL TOLERANCES (UNLESS SPECIFIED)		SCALE 1:1	DESIGN UNITS METRIC	THIRD ANGLE PROJECTION	REVISE ON CAD ONLY																																	
		▼ - 0 C - 0 S - 0	<table border="1"> <thead> <tr> <th></th> <th>mm</th> <th>INCH</th> </tr> </thead> <tbody> <tr> <td>4 PLACES</td> <td>± ---</td> <td>± ---</td> </tr> <tr> <td>3 PLACES</td> <td>± 0.150</td> <td>± ---</td> </tr> <tr> <td>2 PLACES</td> <td>± 0.25</td> <td>± ---</td> </tr> <tr> <td>1 PLACE</td> <td>± 0.25</td> <td>± ---</td> </tr> </tbody> </table>			mm	INCH	4 PLACES	± ---	± ---	3 PLACES	± 0.150	± ---	2 PLACES	± 0.25	± ---	1 PLACE	± 0.25	± ---	<table border="1"> <thead> <tr> <th colspan="2">DIMENSION STYLE</th> </tr> <tr> <th colspan="2">MM ONLY</th> </tr> </thead> <tbody> <tr> <td>DRAWN BY</td> <td>DATE</td> </tr> <tr> <td>FOX.WU</td> <td>2003/07/11</td> </tr> <tr> <td>CHECKED BY</td> <td>DATE</td> </tr> <tr> <td>W.CHANG</td> <td>2003/07/11</td> </tr> <tr> <td>APPROVED BY</td> <td>DATE</td> </tr> <tr> <td>E.LAN</td> <td>2003/07/11</td> </tr> </tbody> </table>		DIMENSION STYLE		MM ONLY		DRAWN BY	DATE	FOX.WU	2003/07/11	CHECKED BY	DATE	W.CHANG	2003/07/11	APPROVED BY	DATE	E.LAN	2003/07/11	TITLE		MOLEX INCORPORATED	
				mm	INCH																																				
			4 PLACES	± ---	± ---																																				
3 PLACES	± 0.150	± ---																																							
2 PLACES	± 0.25	± ---																																							
1 PLACE	± 0.25	± ---																																							
DIMENSION STYLE																																									
MM ONLY																																									
DRAWN BY	DATE																																								
FOX.WU	2003/07/11																																								
CHECKED BY	DATE																																								
W.CHANG	2003/07/11																																								
APPROVED BY	DATE																																								
E.LAN	2003/07/11																																								
DRAFT WHERE APPLICABLE MUST REMAIN WITHIN DIMENSIONS		MATERIAL NO. 48000-1001		DOCUMENT NO. SD-48000-001		SHEET NO. 5 OF 5																																			