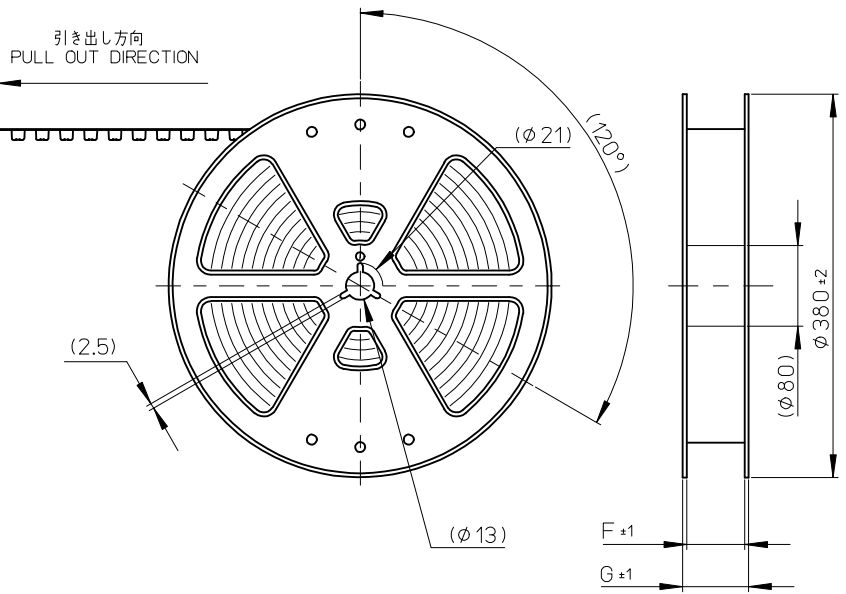


注記 NOTES:
 1.材質 MATERIAL
 ハウジング:LCP(液晶ポリマー)、白色、ガラス充填、UL94V-0
 HOUSING:LIQUID CRYSTAL POLYMER,WHITE(NATURAL)
 GLASS FILLED,UL94V-0
 アクチュエータ:ポリアミド樹脂
 黒色、ガラス充填、UL94V-HB
 ACTUATOR: POLYAMIDE
 BLACK GLASS FILLED,UL94V-HB
 ターミナル:焼青銅(t=0.12)
 TERMINAL:PHOSPHOR BRONZE(t=0.12)
 金具:焼青銅(t=0.15)
 NAIL:PHOSPHOR BRONZE(t=0.15)
 2.めっき仕様 PLATING
 ターミナル TERMINAL
 接点部:金めっき 0.1μm以上
 CONTACT AREA: GOLD 0.1 MICROMETER MINIMUM
 半田付け部:金めっき
 SOLDER TAIL AREA: GOLD
 下地めっき:ニッケル 1.0μm以上
 UNDER PLATING:NICKEL 1.0 MICROMETER MINIMUM
 金具 NAIL
 錫めっき 1.0μm以上
 TIN PLATING 1.0 MICROMETER MINIMUM
 下地めっき:ニッケル 1.0μm以上
 UNDER PLATING:NICKEL 1.0 MICROMETER MINIMUM
 3.平坦度は、0.1ミリ以下とする。
 TAILS COPLANARITY TO BE 0.1 MAXIMUM.
 4.ELV及びRoHS適合品
 ELV AND RoHS COMPLIANT
 5.本製品は502598-**91の端子材料変更品である。
 THIS PRODUCT IS CHANGE OF TERMINAL MATERIAL FOR 502598-**91.

| | | | | | | |
|---------------------|------|-------|------|------|--------------------------------------|----------------|
| 0.125 | 14.4 | 16.95 | 15 | 17.4 | 502598-5193 | 51 |
| 0.112 | 12.6 | 15.15 | 13.2 | 15.6 | 502598-4593 | 45 |
| 0.098 | 10.8 | 13.35 | 11.4 | 13.8 | 502598-3993 | 39 |
| 0.085 | 9 | 11.55 | 9.6 | 12 | 502598-3393 | 33 |
| 0.077 | 7.8 | 10.35 | 8.4 | 10.8 | 502598-2993 | 29 |
| 0.072 | 7.2 | 9.75 | 7.8 | 10.2 | 502598-2793 | 27 |
| 0.068 | 6.6 | 9.15 | 7.2 | 9.6 | 502598-2593 | 25 |
| 0.063 | 6 | 8.55 | 6.6 | 9 | 502598-2393 | 23 |
| 0.048 | 4.2 | 6.75 | 4.8 | 7.2 | 502598-1793 | 17 |
| 0.043 | 3.6 | 6.15 | 4.2 | 6.6 | 502598-1593 | 15 |
| 重さ (g) WEIGHT(g) | D | C | B | A | EMBOSSED PACKAGE オーダー番号 ORDER NO. | 極数 CIRCUITS |

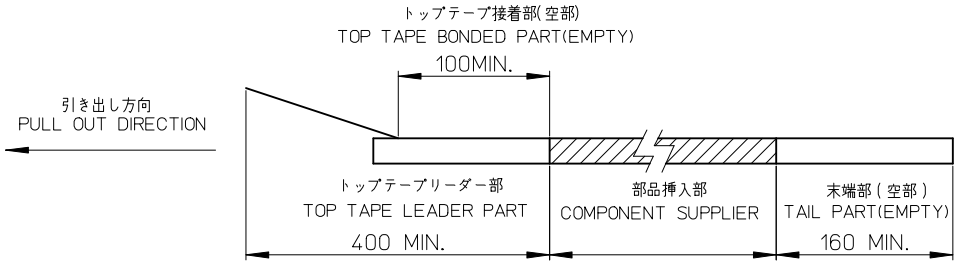
CONNECTOR SERIES NO. 502598-**21

| | | | | | | |
|---|---------------------------------------|--|----------------------------|---|---|------------------------|
| REVISED EC NO: J2013-1211 DRW:KMIYAHARA 2013/02/15 CHKD:KTAKAHASHI 2013/04/23 APPR:KMORIKAWA 2013/05/01 | GENERAL TOLERANCES (UNLESS SPECIFIED) | | DIMENSION STYLE MM ONLY | SCALE --- | DESIGN UNITS METRIC | THIRD ANGLE PROJECTION |
| | 10 UNDER | ±0.2 | DRAWN BY KMIYAHARA | DATE 2012/07/18 | TITLE 0.3 FPC CONN. BACK FLIP HOUSING ASSY | |
| | 10 OVER 30 UNDER | ±0.25 | CHECKED BY KTAKAHASHI | DATE 2012/07/18 | | |
| | 30 OVER | ±0.3 | APPROVED BY KMORIKAWA | DATE 2012/08/01 | | |
| A | ANGULAR ±1 ° | DRAFT WHERE APPLICABLE MUST REMAIN WITHIN DIMENSIONS | MATERIAL NO. SEE TABLE | DOCUMENT NO. SD-502598-003 | SHEET NO. 1 OF 2 | |
| | | | SIZE A3 | THIS DRAWING CONTAINS INFORMATION THAT IS PROPRIETARY TO MOLEX INCORPORATED AND SHOULD NOT BE USED WITHOUT WRITTEN PERMISSION | | |



注記)
NOTES

1. 製品番号502598-**-21の詳細寸法は、製品単体図面を参照下さい。
IN THE PACKAGE PART NUMBER 502598-**-21 DETAIL DIMENSIONS, SEE SALES DRAWING FOR CONNECTOR.
2. 梱包数量: 3000個/リール
NUMBER OF CONNECTORS : 3000 PCS/REEL
3. リードテープ長さ
LEAD TAPE LENGTH



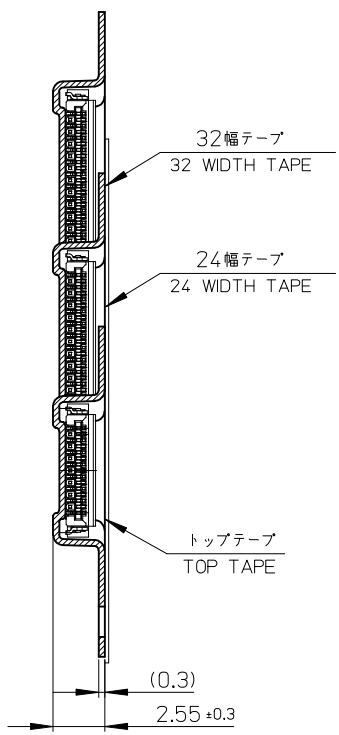
4. カバーテープの剥離強度については、IEC60286-3に準拠
COVER TAPE PEEL FORCE IS DEFINED BY IEC 60286-3.
5. 材料
MATERIAL
キャリアテープ: ポリスチレン (PS)
CARRIER TAPE: POLYSTYRENE (PS)
トップテープ: ポリエチレンテレフタラート (PET)、他
TOP TAPE : POLYETHYLENE TELEPHTHALATE (PET), OTHERS
リール: ポリスチレン (PS)
REEL: POLYSTYRENE (PS)

6. ELV及RoHS適合品
ELV AND RoHS COMPLIANT
7. 本製品は502598-**-91の端子材料変更品である。
THIS PRODUCT IS CHANGE OF TERMINAL MATERIAL FOR 502598-**-91.

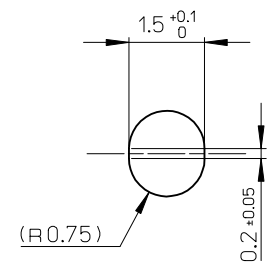
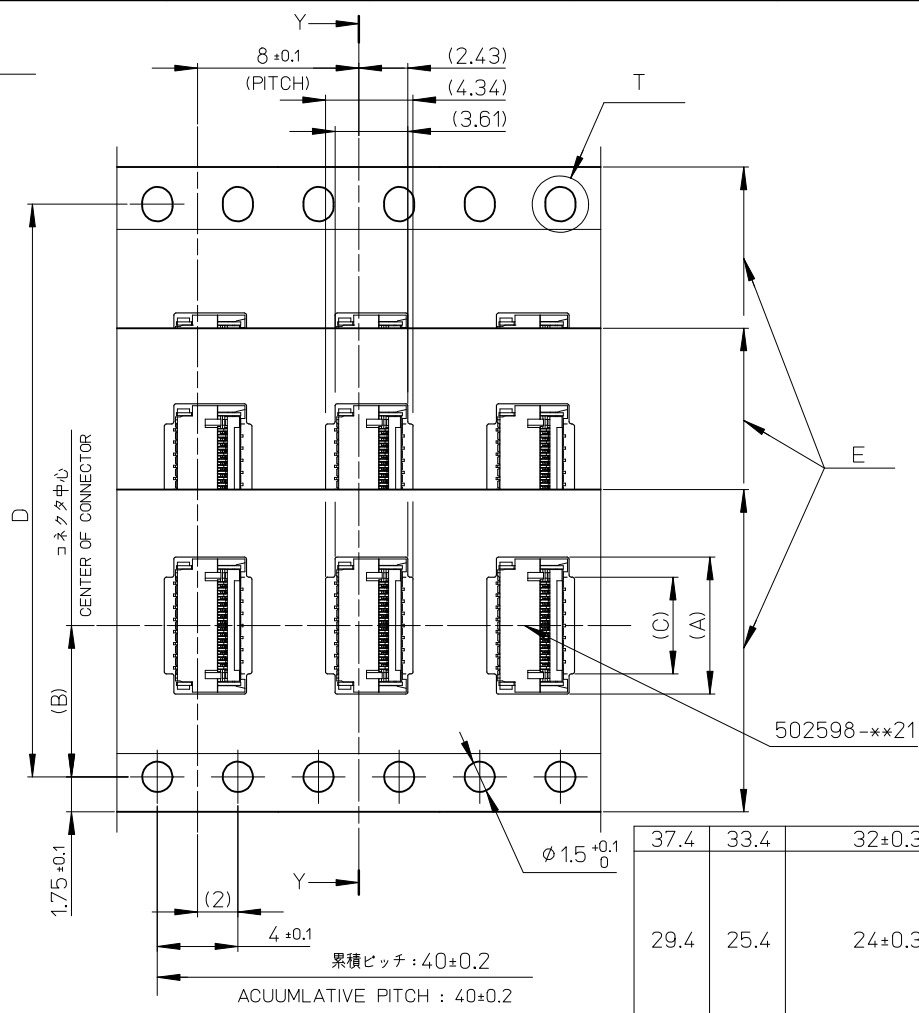
| | | | | | | | | | | |
|--|------------------|--|-------|----------------------------|--------------------|---|------------------------|------------------------|--|--|
| REVISED EC NO: J2013-1211 DRWN: KMIYAHARA 2013/02/15 CHKD: KTAKAHASHI 2013/04/23 APP: KMORIKAWA 2013/05/01 | DESCRIPTION A | GENERAL TOLERANCES (UNLESS SPECIFIED) | | DIMENSION STYLE MM ONLY | | SCALE --- | DESIGN UNITS METRIC | THIRD ANGLE PROJECTION | | |
| | | 10 UNDER | ± --- | DRAWN BY KMIYAHARA | DATE 2012/07/18 | TITLE 0.3 FPC CONN. BACK FLIP TAPING PACKAGE (502598-**-21 SERIES) | | | | |
| | | 10 OVER 30 UNDER | ± --- | CHECKED BY KTAKAHASHI | DATE 2012/07/18 | molex | | | | |
| | | 30 OVER | ± --- | APPROVED BY KMORIKAWA | DATE 2012/08/01 | | | | | |
| ANGULAR ±1 ° | | DRAFT WHERE APPLICABLE MUST REMAIN WITHIN DIMENSIONS | | MATERIAL NO. SEE TABLE | | DOCUMENT NO. SD-502598-004 | | SHEET NO. 1 OF 2 | | |

10 9 8 7 6 5 4 3 2 1

引き出し方向
PULL OUT DIRECTION



断面 Y-Y
SECTION Y-Y



T部詳細
DETAIL T

| | | | | | | | | | |
|------|------|-----------------------------------|------|------|------|------|-------------|----------------------|----------------|
| 37.4 | 33.4 | 32±0.3 | 28.4 | 15.7 | 14.2 | 17.6 | 502598-5193 | 51 | |
| 29.4 | 25.4 | 24±0.3 | --- | 13.9 | 11.5 | 15.8 | 502598-4593 | 45 | |
| | | | | 12.1 | | 14 | 502598-3993 | 39 | |
| | | | | 10.3 | | 12.2 | 502598-3393 | 33 | |
| | | | | 9.1 | | 11 | 502598-2993 | 29 | |
| | | | | 8.5 | | 10.4 | 502598-2793 | 27 | |
| | | | | 7.9 | | 9.8 | 502598-2593 | 25 | |
| | | | | 7.3 | | 9.2 | 502598-2393 | 23 | |
| 21.4 | 17.4 | 16±0.3 | --- | 5.5 | 7.5 | 7.4 | 502598-1793 | 17 | |
| | | | | 4.9 | | 6.8 | 502598-1593 | 15 | |
| G | F | E キャリアテープ幅 EMBOSSED TAPE WIDTH | | D | C | B | A | 製品番号 MATERIAL NO. | 極数 CIRCUITS |

| | | | | | | | | | |
|--|------------------|--|-------|----------------------------|--------------------|--|------------------------|---------------------------|--|
| REVISED EC NO: J2013-1211 DRWN:KMIYAHARA 2013/02/15 CHKD:KTAKAHASHI 2013/04/23 APPR:KMORIKAWA 2013/05/01 | DESCRIPTION A | GENERAL TOLERANCES (UNLESS SPECIFIED) | | DIMENSION STYLE MM ONLY | | SCALE --- | DESIGN UNITS METRIC | THIRD ANGLE PROJECTION | |
| | | 10 UNDER | ± --- | DRAWN BY KMIYAHARA | DATE 2012/07/18 | TITLE 0.3 FPC CONN. BACK FLIP TAPING PACKAGE (502598-**21 SERIES) | | | |
| | | 10 OVER 30 UNDER | ± --- | CHECKED BY KTAKAHASHI | DATE 2012/07/18 | | | | |
| | | 30 OVER | ± --- | APPROVED BY KMORIKAWA | DATE 2012/08/01 | | | | |
| ANGULAR ±1 ° | | DRAFT WHERE APPLICABLE MUST REMAIN WITHIN DIMENSIONS | | MATERIAL NO. SEE TABLE | | DOCUMENT NO. SD-502598-004 | | SHEET NO. 2 OF 2 | |
| THIS DRAWING CONTAINS INFORMATION THAT IS PROPRIETARY TO MOLEX INCORPORATED AND SHOULD NOT BE USED WITHOUT WRITTEN PERMISSION | | | | | | | | | |

9 8 7 6 5 4 3 2