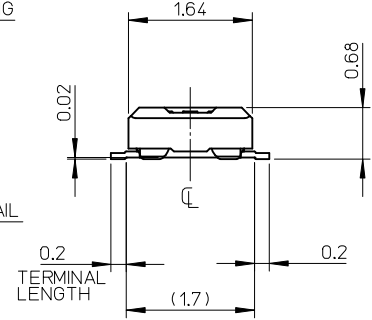
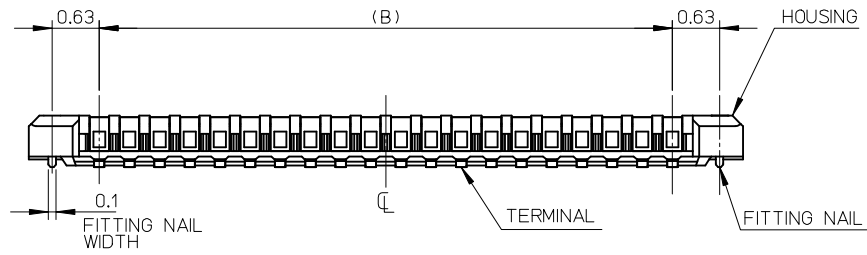
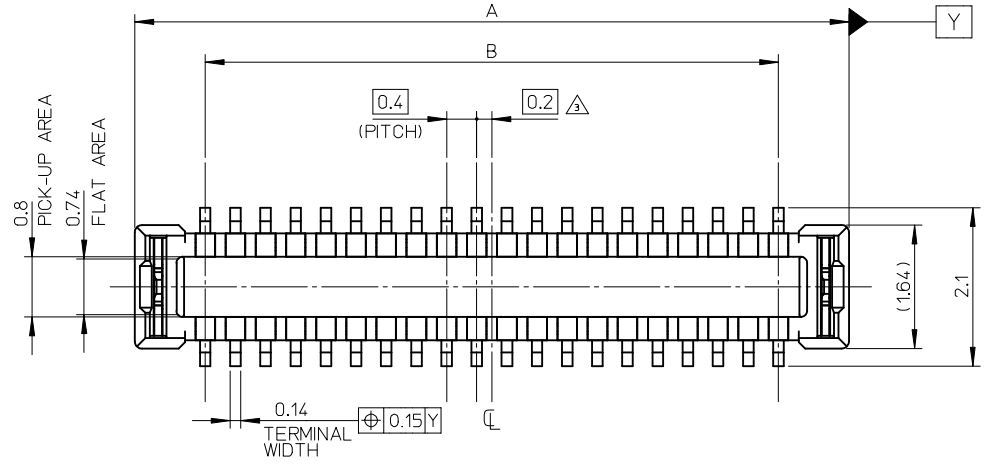


注記 NOTES

1. 使用材料 MATERIAL
 ハウジング : 液晶ポリマー (LCP) UL94V-0 (黒)
 HOUSING: LIQUID CRYSTAL POLYMER UL94V-0 (COLOR: BLACK)
 ターミナル : 銅合金
 TERMINAL : COPPER ALLOY
 金具 : 銅合金
 FITTING NAIL : COPPER ALLOY

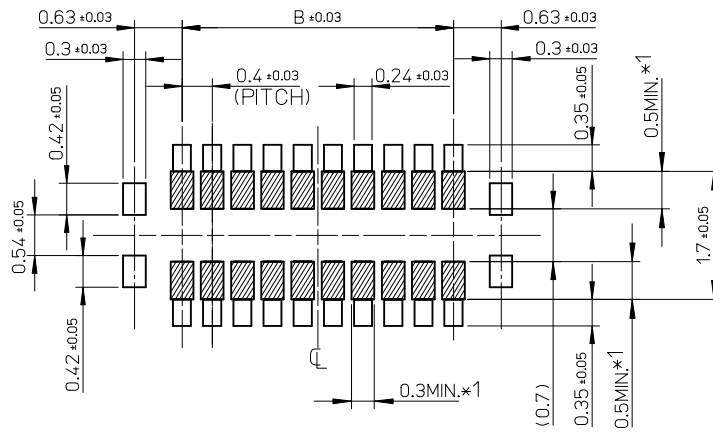
2. メッキ仕様 PLATING
 ターミナル TERMINAL
 金メッキ
 GOLD
 下地メッキ : ニッケルメッキ
 UNDER PLATING : NICKEL
 ※コンタクト部とテール部はニッケルメッキによって分断されている金メッキです。
 DIVIDE INTO PARTS THE GOLD PLATING OF THE CONTACT AND THE TAIL PART BY THE NICKEL PLATING.

金具 FITTING NAIL
 錫メッキ
 Tin PLATING
 下地メッキ : ニッケルメッキ
 UNDER PLATING : NICKEL
 △ (全極数 / 2) = 偶数の場合に適用。
 APPLY FOR (CIRCUIT/2)-EVEN.
 4. 嵌合相手 : 503772 シリーズ
 MATE WITH : 503772 SERIES.
 5. テール及び金具の平坦度は、0.08 以下、60極は0.1以下。
 TAIL AND FITTING NAIL COPLANARITY TO BE 0.08MAXIMUM.
 TAIL AND FITTING NAIL COPLANARITY WITH 60ckt TO BE 0.1MAXIMUM.
 6. ELV and RoHS COMPLIANT



| | | | |
|------|-------|-------------------------------|-------------|
| 11.6 | 13.47 | 503776-6010 | 60 |
| 9.6 | 11.47 | 503776-5010 | 50 |
| 7.6 | 9.47 | 503776-4010 | 40 |
| 6.4 | 8.27 | 503776-3410 | 34 |
| 5.6 | 7.47 | 503776-3010 | 30 |
| 4.4 | 6.27 | 503776-2410 | 24 |
| 3.6 | 5.47 | 503776-2010 | 20 |
| 2.8 | 4.67 | 503776-1610 | 16 |
| 1.6 | 3.47 | 503776-1010 | 10 |
| B | A | EMBOSSED PACKAGE | |
| | | オーダー番号 ORDER No. | 極数 CIRCUITS |
| | | CONNECTOR SERIES NO. : 503776 | |

| | | | | | | |
|--|---------------------------------------|--|---|--------------|---|------------------------|
| REVISED EC NO: J2013-1495 TIDRWN: TARA 101 2013/06/10 CHKD: TASAKAWA 2013/06/10 APPR: KMORIKAWA 2013/06/12 | GENERAL TOLERANCES (UNLESS SPECIFIED) | | DIMENSION STYLE | SCALE | DESIGN UNITS | THIRD ANGLE PROJECTION |
| | | | MM ONLY | 15:1 | METRIC | |
| | 10 UNDER | ±0.2 | DRAWN BY | DATE | TITLE | |
| | 10 OVER 30 UNDER | ±0.25 | KSASAKI | 2011/02/21 | 0.4 BB CONN.HGT=0.8 W=2.5 PLUG ASS'Y | |
| | 30 OVER | ±0.3 | CHECKED BY | DATE | | |
| | | RTAKEUCHI | 2011/02/21 | | | |
| | | APPROVED BY | DATE | | | |
| | | MSASAO | 2011/06/13 | MATERIAL NO. | DOCUMENT NO. | SHEET NO. |
| | | ANGULAR ±1 ° | SEE TABLE | | SD-503776-001 | 1 OF 2 |
| | | DRAFT WHERE APPLICABLE MUST REMAIN WITHIN DIMENSIONS | THIS DRAWING CONTAINS INFORMATION THAT IS PROPRIETARY TO MOLEX INCORPORATED AND SHOULD NOT BE USED WITHOUT WRITTEN PERMISSION | | | |



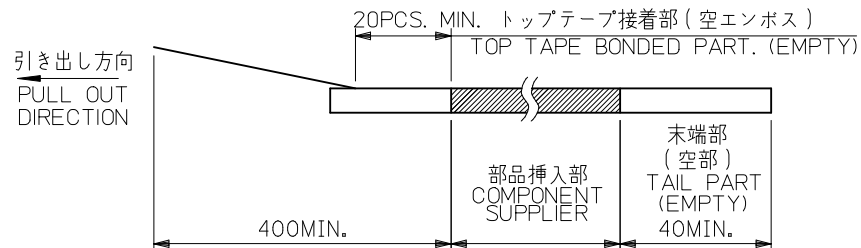
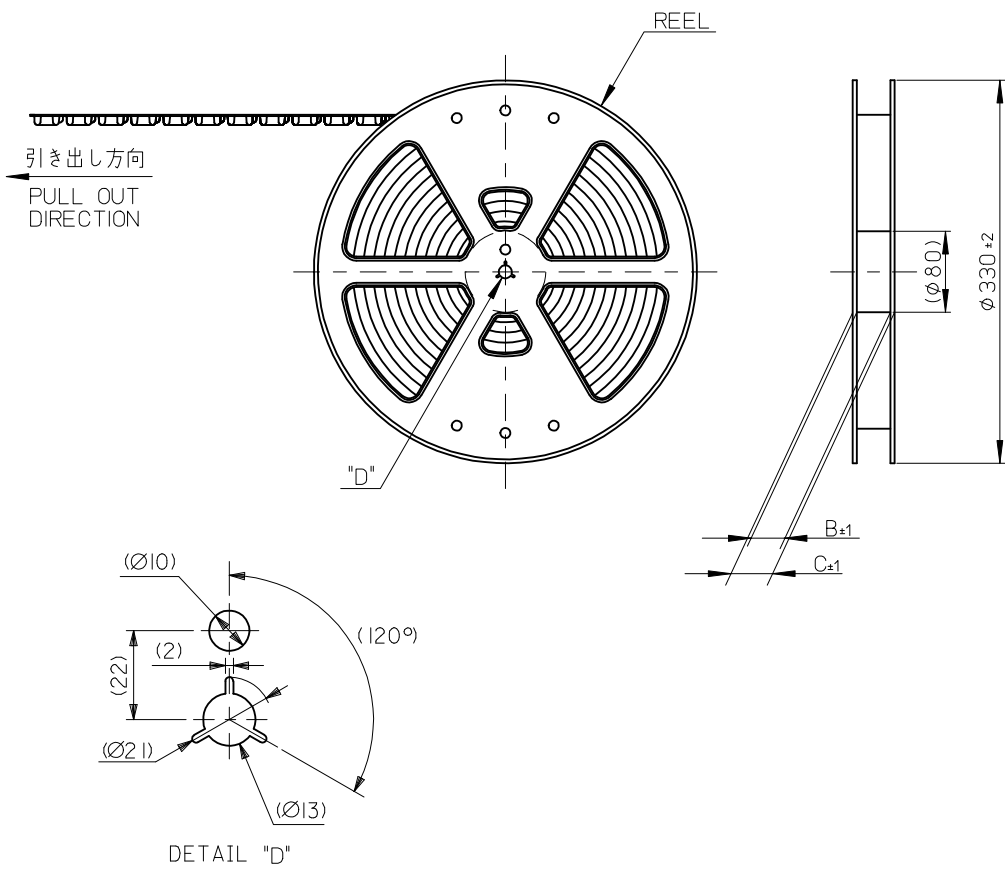
RECOMMENDED P.W. BOARD
PATTERN LAYOUT

- *1 パターン引き回し、および半田禁止エリア
(当該箇所においては、これと接する回路以外の配線を禁止する。
また、接する回路を配線する場合はレジストを施し、この部分に
半田は無きこととする。)
- *1 PROHIBITED AREA OF PATTERN WIRING AND SOLDER.
(FOR EACH AREA, THE WIRING THAT TOUCHES ON THE SOLDER
CAN BE ATTACHED, THEN COVERED WITH A FILM TO KEEP SOLDER OUT.)

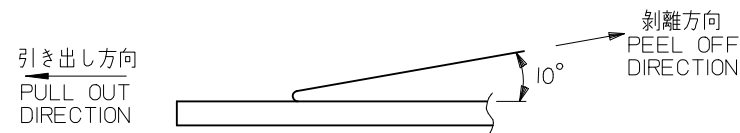
| | | | | | | | | |
|---|---------------------------------------|---|----------------------------|-------------------------------|--|------------------------|------------------------|--|
| REVISED EC NO: J2013-1495 DRWN: TARA101 2013/06/10 CHKD: TASAKAWA 2013/06/10 APPR: KMORIKAWA 2013/06/12 | GENERAL TOLERANCES (UNLESS SPECIFIED) | | DIMENSION STYLE MM ONLY | | SCALE 20:1 | DESIGN UNITS METRIC | THIRD ANGLE PROJECTION | |
| | 10 UNDER | ± 0.2 | DRAWN BY KSASAKI | DATE 2011/02/21 | TITLE 0.4 BB CONN.HGT=0.8 W=2.5 PLUG ASS'Y | | | |
| | 10 OVER 30 UNDER | ± 0.25 | CHECKED BY RTAKEUCHI | DATE 2011/02/21 | | | | |
| | 30 OVER | ± 0.3 | APPROVED BY MSASAO | DATE 2011/06/13 | molex | | | |
| ANGULAR ±1 ° | | MATERIAL NO. SEE SHEET 1 | | DOCUMENT NO. SD-503776-001 | | | | |
| DRAFT WHERE APPLICABLE MUST REMAIN WITHIN DIMENSIONS | | THIS DRAWING CONTAINS INFORMATION THAT IS PROPRIETARY TO MOLEX INCORPORATED AND SHOULD NOT BE USED WITHOUT WRITTEN PERMISSION | | | | | | |

注記 NOTES

- 製品詳細寸法については製品単体図面を参照下さい。
RE DETAILED DIMENSION, SEE PRODUCT DRAWING.
- 梱包数量: 3000 個/リール
NUMBER OF CONNECTORS : 3000PCS/REEL
- リードテープ長さ LEAD TAPE LENGTH



- トップテープの剥離強度: 0.1N~1.3N(10gf~130gf)
(剥離方向は下図参照)
尚、本規格値は出荷時に適用。(但し、輸送時に剥離が発生しないこと。)
PEELING OFF FORCE OF TOP TAPE : 0.1N~1.3N(10gf~130gf)
(PEELING DIRECTION AS SHOWN IN FOLLOWING FIG.)
THIS REQUIREMENT SHOULD BE APPLIED AT SHIPMENT.
PEEL OFF SHOULD NOT BE ALLOWED, DURING TRANSPORTION.

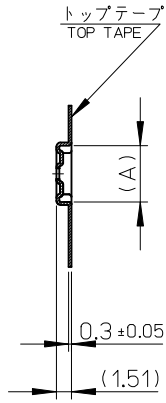


- 材料 MATERIAL
キャリアテープ (CARRIER TAPE): ポリスチレン (POLYSTYRENE)
トップテープ (TOP TAPE): PET, OTHER
リール (REEL): ポリスチレン (PS) <リサイクル材を含む>
POLYSTYRENE (PS) <RECYCLE MATERIAL CONTAINED>
- ELV 及び RoHS適合品
ELV AND RoHS COMPLIANT

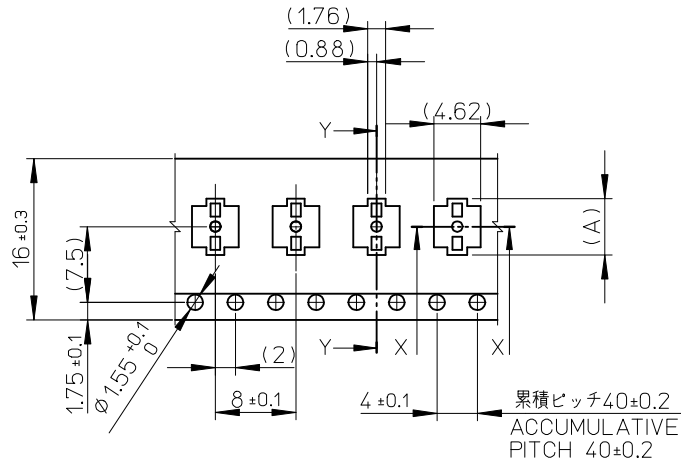
MODEL NO. 503776-***0

| | | | | | | |
|---|--|---------------------------|-------------------------------|---|---|------------------------|
| REVISED EC NO: J2013-1026 DRWN: TARA01 2013/03/19 CHKD: TASAKAWA 2013/03/19 APPR: MSASAO 2013/03/19 | GENERAL TOLERANCES (UNLESS SPECIFIED) | | DIMENSION STYLE MM ONLY | SCALE ---:--- | DESIGN UNITS METRIC | THIRD ANGLE PROJECTION |
| | 10 UNDER | ±0.2 | DRAWN BY KSASAKI | DATE 2011/06/09 | TITLE 0.4 BB CONN. HGT=0.8 PLUG ASSY EMBSTP PKG | |
| | 10 OVER 30 UNDER | ±0.25 | CHECKED BY RTAKEUCHI | DATE 2011/06/09 | | |
| | 30 OVER | ±0.3 | APPROVED BY MSASAO | DATE 2011/06/13 | | |
| DESCRIPTION | ANGULAR ±1 ° | MATERIAL NO. SEE CHART | DOCUMENT NO. SD-503776-002 | SHEET NO. 1 OF 3 | | |
| REV | DRAFT WHERE APPLICABLE MUST REMAIN WITHIN DIMENSIONS | | SIZE A3 | THIS DRAWING CONTAINS INFORMATION THAT IS PROPRIETARY TO MOLEX INCORPORATED AND SHOULD NOT BE USED WITHOUT WRITTEN PERMISSION | | |

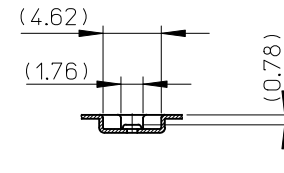
引き出し方向
PULL OUT DIRECTION



SECTION Y-Y



16mm 幅キャリアテープ
16mm WIDTH CARRIER TAPE

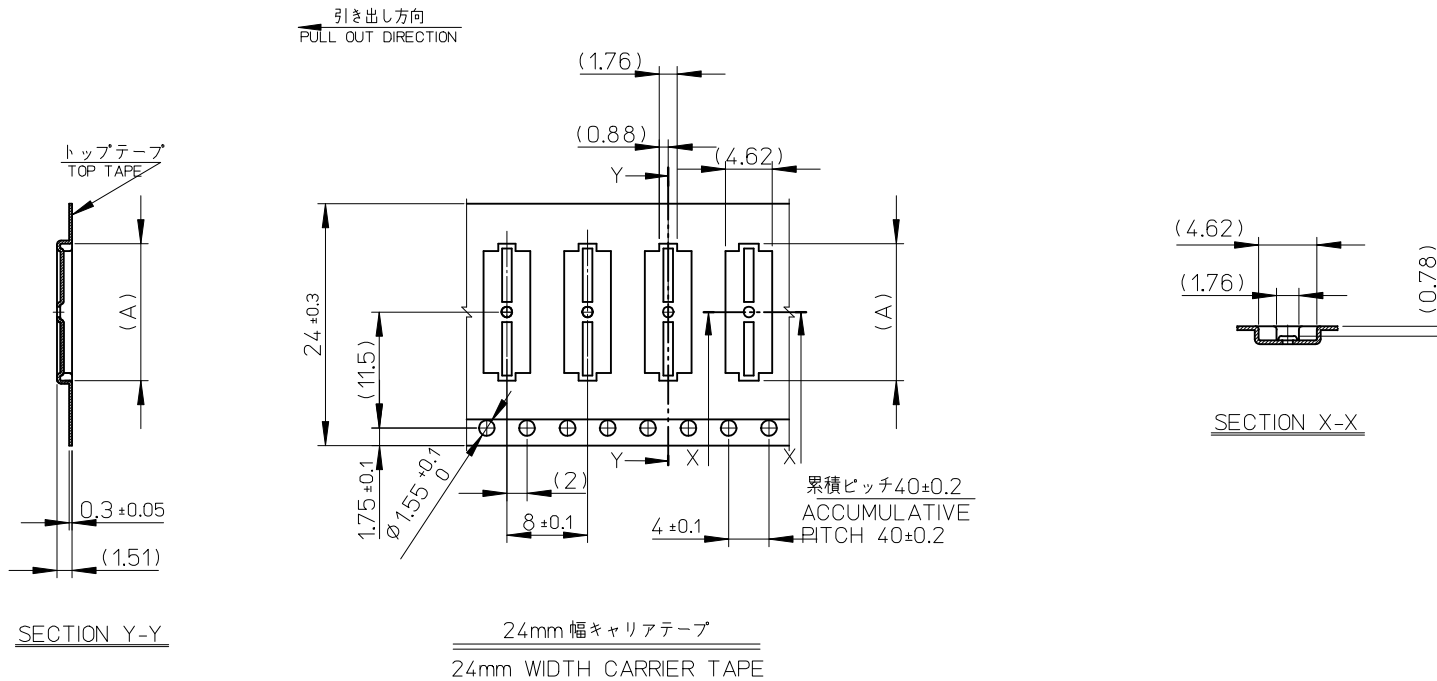


SECTION X-X

| | | | | | |
|--------------------------------|------|------|--------------|-------------|-------------|
| 16 | 21.4 | 17.4 | 6.39 | 503776-2410 | 24 |
| | | | 5.59 | 503776-2010 | 20 |
| | | | 4.79 | 503776-1610 | 16 |
| | | | 3.59 | 503776-1010 | 10 |
| キャリアテープ幅 CARRIER TAPE WIDTH | | | C | B | (A) |
| | | | MATERIAL No. | | CKT. |
| | | | MODEL No. | | 503776-***0 |

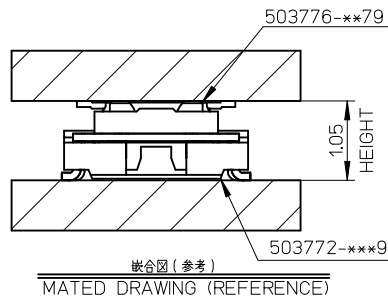
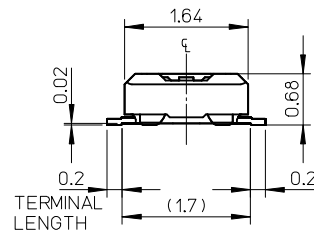
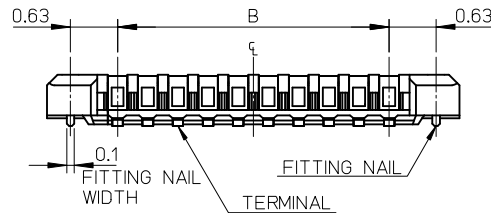
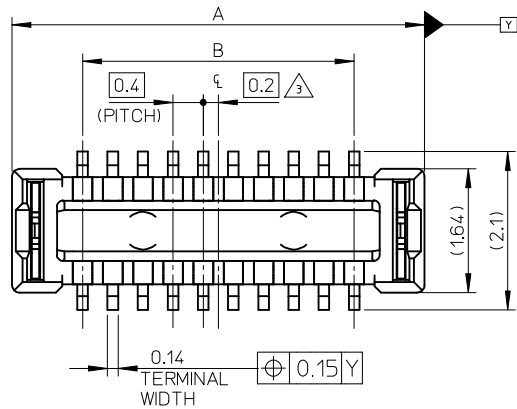
| | | | | | | | | | |
|--|-------------|---|--------|--|--------------------|---|------------------------|-------------------------------|--|
| REVISED EC NO: J2013-1026 DRWN: TARA101 2013/03/19 CHKD: TASAKAWA 2013/03/19 APPR: MSASAO 2013/03/19 | DESCRIPTION | GENERAL TOLERANCES (UNLESS SPECIFIED) | | DIMENSION STYLE MM ONLY | | SCALE 5:1 | DESIGN UNITS METRIC | THIRD ANGLE PROJECTION | |
| | | 10 UNDER | ± 0.2 | DRAWN BY KSASAKI | DATE 2011/06/09 | TITLE 0.4 BB CONN. HGT=0.8 PLUG ASSY EMBSTP PKG | | | |
| | | 10 OVER 30 UNDER | ± 0.25 | CHECKED BY RTAKEUCHI | DATE 2011/06/09 | | | | |
| | | 30 OVER | ± 0.3 | APPROVED BY MSASAO | DATE 2011/06/13 | | | | |
| | | ANGULAR ± 1 ° | | DRAFT WHERE APPLICABLE MUST REMAIN WITHIN DIMENSIONS | | MATERIAL NO. SEE CHART | | DOCUMENT NO. SD-503776-002 | |
| SIZE A3 | | THIS DRAWING CONTAINS INFORMATION THAT IS PROPRIETARY TO MOLEX INCORPORATED AND SHOULD NOT BE USED WITHOUT WRITTEN PERMISSION | | | | | | | |





| | | | | | |
|--------------------------------|------|------|--------------|-------------|------|
| 24 | 29.4 | 25.4 | 13.59 | 503776-6010 | 60 |
| | | | 11.59 | 503776-5010 | 50 |
| | | | 9.59 | 503776-4010 | 40 |
| | | | 8.39 | 503776-3410 | 34 |
| | | | 7.59 | 503776-3010 | 30 |
| キャリアテープ幅 CARRIER TAPE WIDTH | | | C | B | (A) |
| | | | MATERIAL No. | | CKT. |
| | | | MODEL No. | 503776-***0 | |

| | | | | | | | | | |
|---|-------------|--|--------|--|--------------------|---|------------------------|-------------------------------|--|
| REVISED EC NO: J2013-1026 DRWN: TARA101 CHKD: TASAKAWA APPR: MSASAO 2013/03/19 2013/03/19 2013/03/19 | DESCRIPTION | GENERAL TOLERANCES (UNLESS SPECIFIED) | | DIMENSION STYLE MM ONLY | | SCALE 5:1 | DESIGN UNITS METRIC | THIRD ANGLE PROJECTION | |
| | | 10 UNDER | ± 0.2 | DRAWN BY KSASAKI | DATE 2011/06/09 | TITLE 0.4 BB CONN. HGT=0.8 PLUG ASSY EMBSTP PKG | | | |
| | | 10 OVER 30 UNDER | ± 0.25 | CHECKED BY RTAKEUCHI | DATE 2011/06/09 | | | | |
| | | 30 OVER | ± 0.3 | APPROVED BY MSASAO | DATE 2011/06/13 | | | | |
| | | ANGULAR ± 1 ° | | DRAFT WHERE APPLICABLE MUST REMAIN WITHIN DIMENSIONS | | MATERIAL NO. SEE CHART | | DOCUMENT NO. SD-503776-002 | |



注記 NOTES

1. 使用材料 MATERIAL

ハウジング : 液晶ポリマー (LCP) UL94V-0 (黒)
HOUSING: LIQUID CRYSTAL POLYMER UL94V-0 (COLOR:BLACK)

ターミナル : 銅合金
TERMINAL : COPPER ALLOY

金具 : 銅合金
FITTING NAIL : COPPER ALLOY

2. メッキ仕様 PLATING

ターミナル TERMINAL

金メッキ
GOLD

下地メッキ : ニッケルメッキ
UNDER PLATING : NICKEL

※コンタクト部とテール部はニッケルメッキによって分断されている金メッキです。
DIVIDE INTO PARTS THE GOLD PLATING OF THE CONTACT AND THE TAIL PART BY THE NICKEL PLATING.

金具 FITTING NAIL

錫メッキ
Tin PLATING

下地メッキ : ニッケルメッキ
UNDER PLATING : NICKEL

△ (全極数 / 2) = 偶数の場合に適用。
APPLY FOR (CIRCUIT/2)=EVEN.

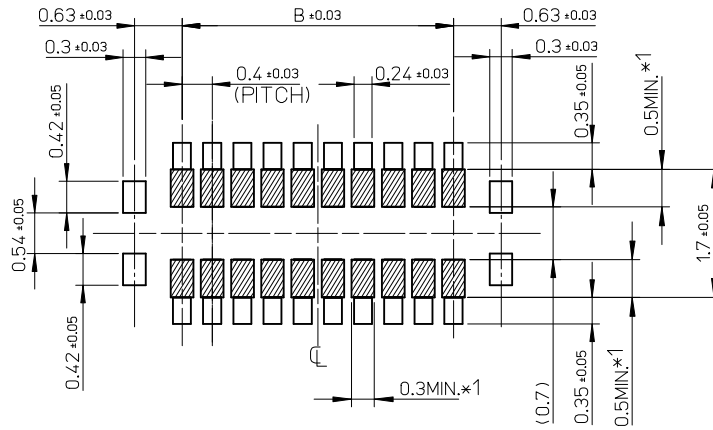
4. 嵌合相手 : 503772 シリーズ
MATE WITH : 503772 SERIES.

5. テール及び金具の平坦度は、0.08 以下
TAIL AND FITTING NAIL COPLANARITY TO BE 0.08MAXIMUM.

6. ELV and RoHS COMPLIANT

| | | | |
|-----|-------|-----------------------------------|-------------|
| 9.6 | 11.47 | 503776-5070 | 50 |
| 7.6 | 9.47 | 503776-4070 | 40 |
| 6.4 | 8.27 | 503776-3470 | 34 |
| 5.6 | 7.47 | 503776-3070 | 30 |
| B | A | EMBOSSED PACKAGE | |
| | | オーダー番号 ORDER No. | 極数 CIRCUITS |
| | | CONNECTOR SERIES NO.:503776-***79 | |

| | | | | | | |
|--|---------------------------------------|---|-----------------|--------------|---|------------------------|
| RELEASED EC NO: J2013-0521 DRWNYFUJIMAKI 2012/11/06 CHKD:TASAKAWA APPR:MSASAO 2012/11/13 | GENERAL TOLERANCES (UNLESS SPECIFIED) | | DIMENSION STYLE | SCALE | DESIGN UNITS | THIRD ANGLE PROJECTION |
| | | | MM ONLY | 15:1 | METRIC | ◎ □ |
| | 10 UNDER | ± 0.2 | DRAWN BY | DATE | TITLE | |
| | 10 OVER 30 UNDER | ± 0.25 | YFUJIMAKI | 2012/11/06 | 0.4 BB CONN.HGT=0.8 W=2.5 PLUG CHECKER TYPE ASS'Y molex | |
| | 30 OVER | ± 0.3 | TASAKAWA | 2012/11/08 | | |
| ANGULAR ± 1 ° | | APPROVED BY | DATE | MATERIAL NO. | DOCUMENT NO. | SHEET NO. |
| DRAFT WHERE APPLICABLE MUST REMAIN WITHIN DIMENSIONS | | MSASAO | 2012/11/13 | SEE TABLE | SD-503776-003 | 1 OF 2 |
| | | THIS DRAWING CONTAINS INFORMATION THAT IS PROPRIETARY TO MOLEX INCORPORATED AND SHOULD NOT BE USED WITHOUT WRITTEN PERMISSION | | | | |



RECOMMENDED P.W. BOARD
PATTERN LAYOUT

- *1 パターン引き回し、および半田禁止エリア
(当該箇所においては、これと接する回路以外の配線を禁止する。
また、接する回路を配線する場合はレジストを施し、この部分に
半田は無きこととする。)
- *1 PROHIBITED AREA OF PATTERN WIRING AND SOLDER.
(FOR EACH AREA, THE WIRING THAT TOUCHES ON THE SOLDER
CAN BE ATTACHED, THEN COVERED WITH A FILM TO KEEP SOLDER OUT.)

| | | | | | | | | |
|--|---------------------------------------|--|-----------------------------|--------------------|--|------------------------|------------------------|--|
| RELEASED EC NO: J2013-0521 DRWN: YFUJIMAKI 2012/11/06 CHKD: TASAKAWA APPR: MSASAO 2012/11/13 | GENERAL TOLERANCES (UNLESS SPECIFIED) | | DIMENSION STYLE MM ONLY | | SCALE 20:1 | DESIGN UNITS METRIC | THIRD ANGLE PROJECTION | |
| | 10 UNDER | ± 0.2 | DRAWN BY YFUJIMAKI | DATE 2012/11/06 | TITLE 0.4 BB CONN.HGT=0.8 W=2.5 PLUG CHECKER TYPE ASS'Y | | | |
| | 10 OVER 30 UNDER | ± 0.25 | CHECKED BY TASAKAWA | DATE 2012/11/08 | | | | |
| | 30 OVER | ± 0.3 | APPROVED BY MSASAO | DATE 2012/11/13 | | | | |
| | ANGULAR ±1 ° | | MATERIAL NO. SEE SHEET 1 | | | | | |
| DRAFT WHERE APPLICABLE MUST REMAIN WITHIN DIMENSIONS | | THIS DRAWING CONTAINS INFORMATION THAT IS PROPRIETARY TO MOLEX INCORPORATED AND SHOULD NOT BE USED WITHOUT WRITTEN PERMISSION | | | | | | |